



Double Helix Bluetooth App with RF Remote

BLUETOOTH APP CONNECTION

- Download the app **HappyLighting** in the app store (the icon is in the top right), then open the app. **DO NOT** connect to the device in your phone settings menu. If you do delete the app and reinstall.
- Once opened it should auto connect, you can click on the 3 bars in the top left to see if it has connected, if it hasn't connected and you see the device click on it to connect.

INITIAL SET UP

- Once connected for the first time go into the settings section via the gear icon in the top right. Slide up at the top of the screen to select your controller, if your Red/Green colors are swapped on the remote change the "RGB Output Sequence" from RGB to RBG
- Then change the number in the "LED Qty" field to the below for your whip. The amounts are below or on the tube as well. This will program the patterns to end at the correct spot and correct the issue if the end of the whip is white.
 - 2ft = 50
 - 3ft = 90
 - 4ft = 120
 - 5ft = 150
 - 2ft 1.5" Thick = 80
 - 3ft 1.5" Thick = 125

FUCTIONS

- The controller should retain the last used setting when powered down and back up again.
- Use style button at bottom of the app to choose different patterns.
 - To save a preset, click on the one you want to update at the bottom. While highlighted with a green check mark you can scroll and change the preset, once you have updated click a different preset or auto.

BRAKE / RED OVERRIDE

- Connect blue wire to brake power wire, this will turn the red lights on if the box has power even if the lights are turned off, we suggest placing on its own switch so you can activate only when you want to since it will override the off command.

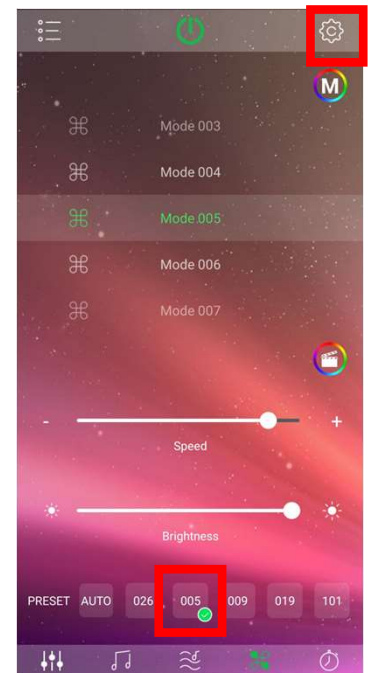
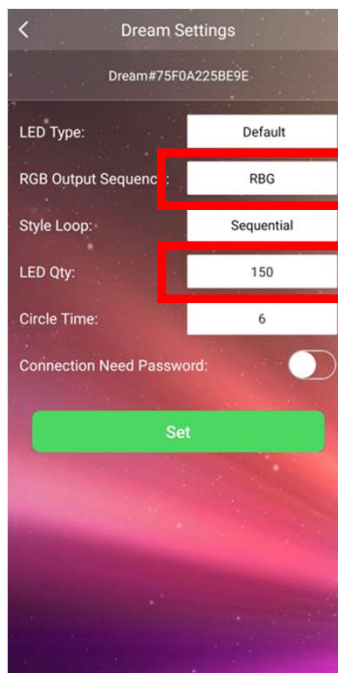
COURTESY / WHITE OVERRIDE

- Connect white wire to secondary switch or courtesy light power on the vehicle, this will turn the white lights on if the box has power even if the lights are turned off.

Troubleshooting: If the app will not connect but the remote works delete the app, pull fuse for 2 minute then re install the app while fuse is pulled.

Troubleshooting: If the app works but the remote does not replace batteries and pair remote to unit again. Ensure led lights up on remote if it doesn't remote is bad.

Remote Pair/Lock Process: Apply power to controller press and hold bottom left button on remote for 5 seconds.



*There will be a slight power draw over long-term storage from the Bluetooth controller in stand by mode. We suggest putting on a switch, but it is not necessary or required.

5-INST-DOUBLEHELIX-HAPPYLIGHTING



Double Helix Whip Bluetooth Controller & RF Remote

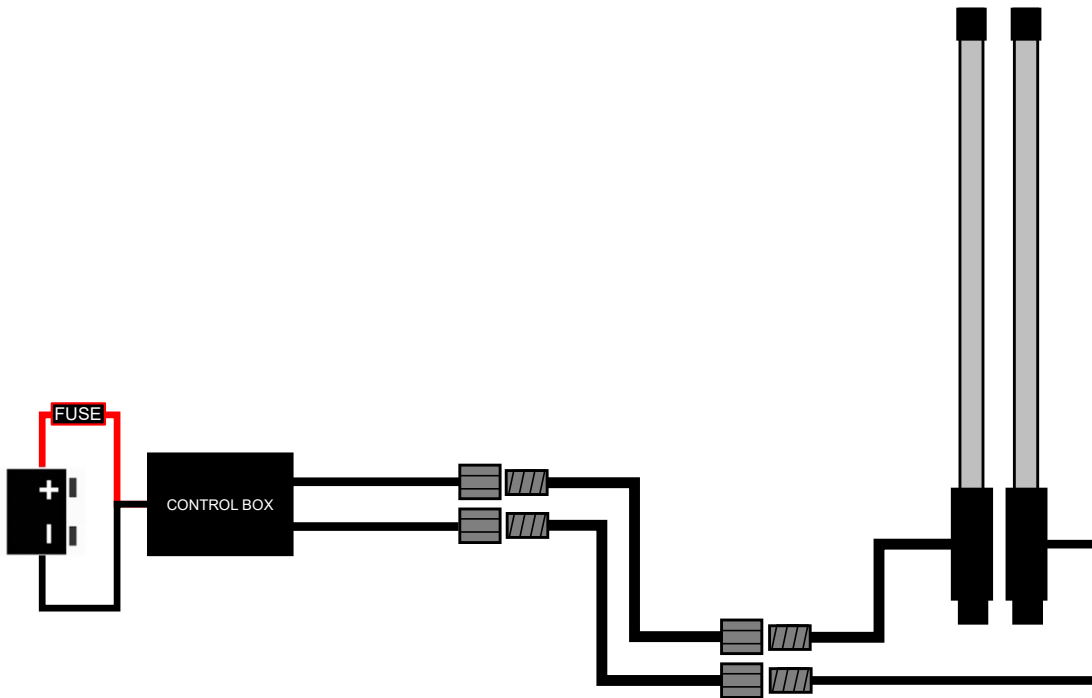
WIRING

LARGE RED WIRE: POWER

LARGE BLACK WIRE: GROUND

WHITE WIRE: WHITE/COURTESY OVERRIDE (NOT REQUIRED)

BLUE WIRE: RED/BRAKE OVERRIDE (NOT REQUIRED)



****Controller needs to be mounted with in 10ft of whips (2 x 5ft extensions).**