



RGB+W Controller w/ Bluetooth & RF Remote (Rock Lights & Whips)

BLUETOOTH APP CONNECTION

- Download the app **BLEDIM** in the app store, the icon is below, then open the app. **DO NOT** connect to the device in your phone settings menu. If you do delete the app and reinstall.
- The controller should retain the last used setting when powered down and back up again.
- You can create a custom color by pressing the color wheel emblem at the bottom center or create a custom pattern by using the DIY button.
- The music function is located at the bottom right and will allow songs to be played that are saved on the device. You may also use the microphone function to change the lights based on what the phone hears through the microphone.

Troubleshooting: If the app will not connect but the remote works delete the app, pull fuse for 5 minute then re install the app while fuse is pulled.

Troubleshooting: If the app works but the remote does not replace batteries and pair remote to unit again. To pair pull fuse, hold down green power button, place fuse back in while holding for an additional 5 seconds. Lights should blink if successful pairing.

LOCK / REPAIR CONTROLLER

- Pull fuse, hold down green power button, place fuse back in.

BRAKE / RED OVERRIDE

- Connect blue wire to brake power wire, this will turn the red lights on if the box has power even if the lights are turned off, we suggest placing on its own switch so you can activate only when you want to since it will override the off command.

COURTESY / WHITE OVERRIDE

- Connect white wire to secondary switch or courtesy light power on the vehicle, this will turn the white lights on if the box has power even if the lights are turned off.

RGB & RGBW

- In the setting menu you can toggle between RGB and RGBW to allow use of mixed white for systems not using the 5 pin RGBW lights.

*There will be a slight power draw over long-term storage from the Bluetooth controller in stand by mode. We suggest putting on a switch if possible but it not necessary or required.

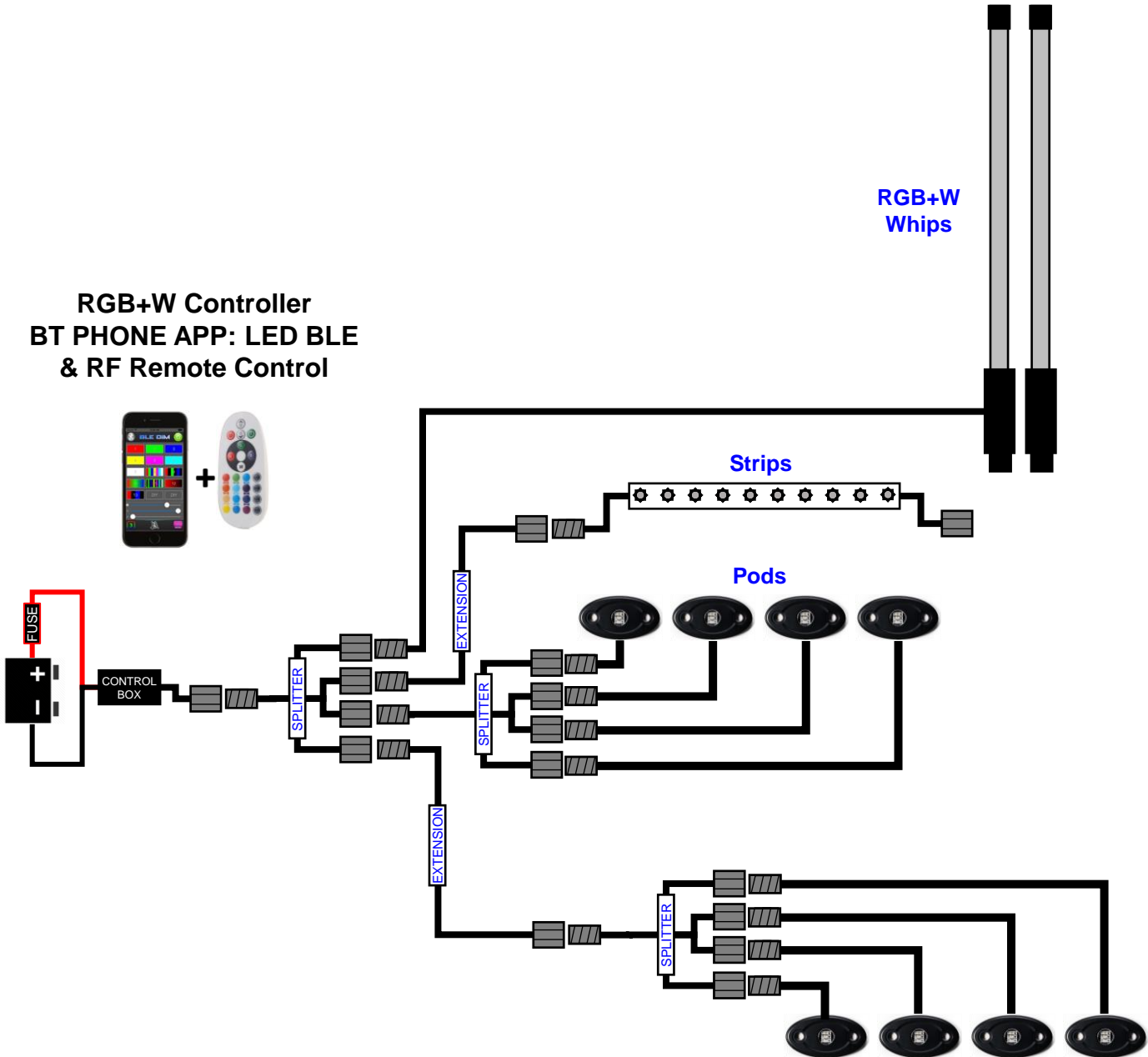




RGB+W 5 PIN

Rock Lights, Strips, Whips, Accent Lights, Wheel Rings & Dome Lights Wiring Diagram

RGB+W Controller
BT PHONE APP: LED BLE
& RF Remote Control



****Example configuration, configure any way you want****