

CF MOTO 400-500/KODIAK 450

Plow Mount

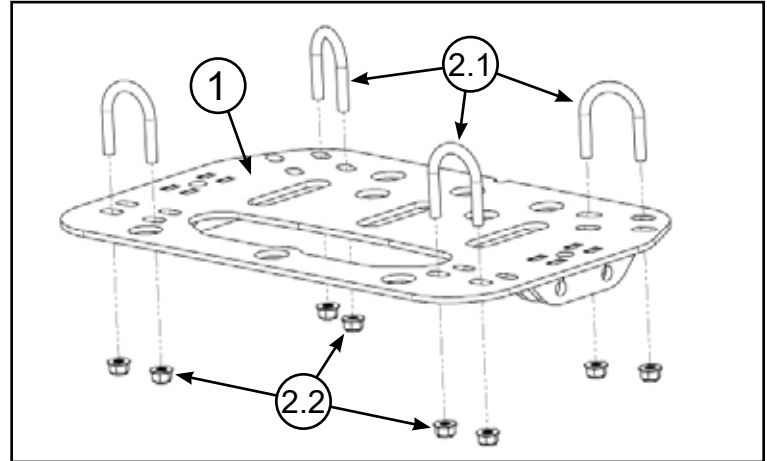
PART #106490 Rev A

Kit Components:

Item #	Qty.	Description
1	1	Plow Mount
2	1	Hardware Kit HK-112
2.1	4	5/16"-18 X 1-3/8" X 2" X 1" Thread
2.2	8	5/16"-18 Hex Nut Flange Nylock GR5

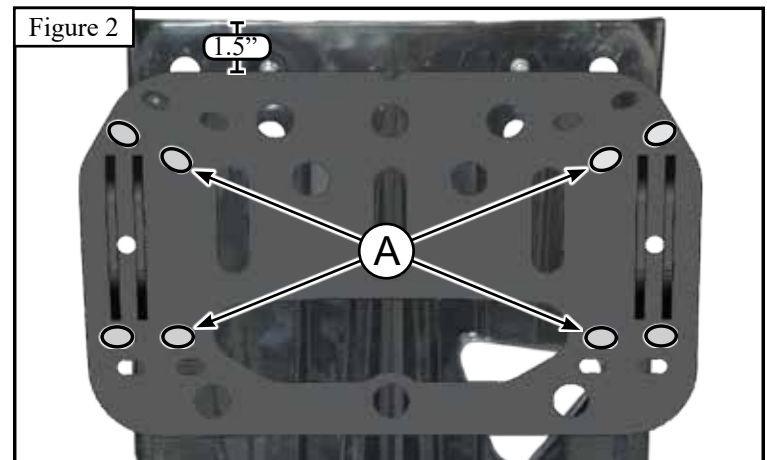
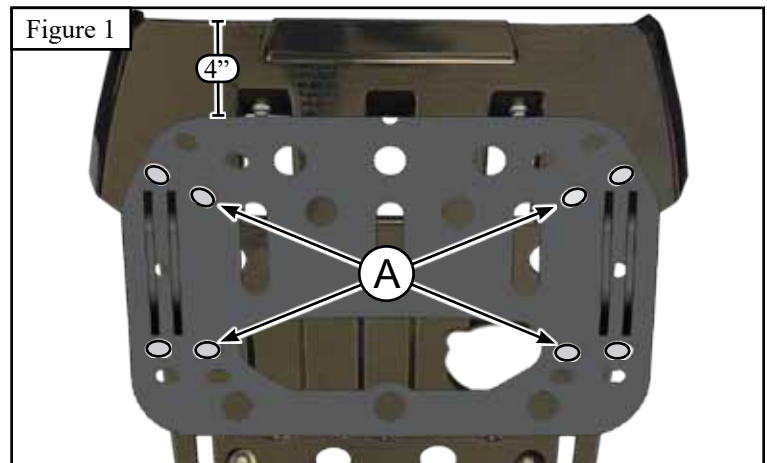
Note: Make sure all hardware needed to complete this mount is in the package. Thoroughly read through and understand the instructions before installing.

Note: This mount fits many machines, be sure to use the right measurement and hole locations (A or B) for your machine so the U-Bolts fit around the frame. Center your mount and mark the grey bolt holes using the mount as a template.

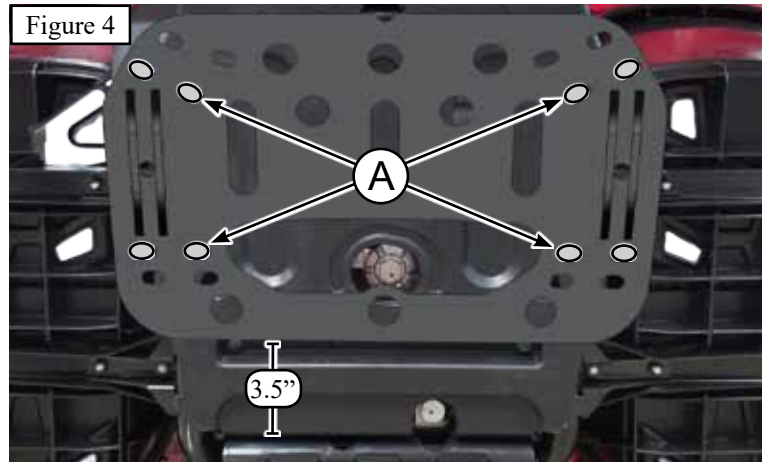
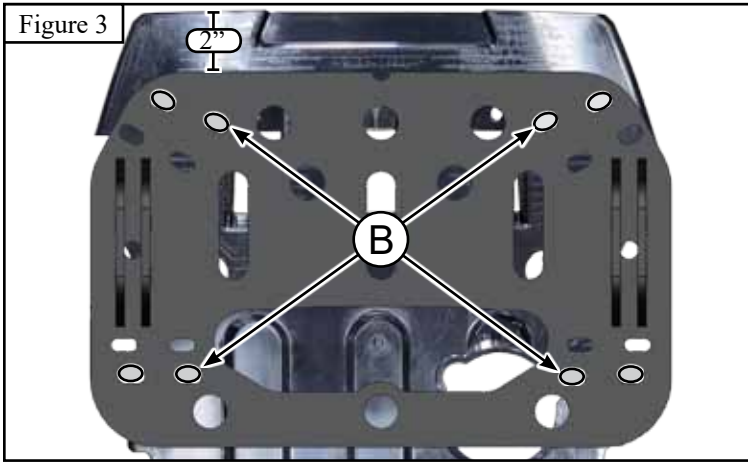


Marking The Skid Plate Bolt Locations

1. **(Cforce 400/500/500 S)** Position the front of the mount 4" back from the front of the center skid plate, as shown in **Figure 1**, and mark the grey hole locations for drilling.
2. **(Cforce 500 HO)** Position the front of the mount 1.5" back from the front of the center skid plate, as shown in **Figure 2**, and mark the grey hole locations for drilling.
3. **(Cforce 500 G2)** Position the front of the mount 2" back from the front of the center skid plate, as shown in **Figure 3**, and mark the grey hole locations for drilling.
4. **(Yamaha Kodiak 450)** Position the back of the mount 3.5" forward from the back of the center skid plate, as shown in **Figure 4**, and mark the grey hole locations for drilling.
5. Using a 1/2" drill bit minimum, drill out the marked holes from your plow mount. An alternate way is to cut out the outside holes to fit your U-Bolts, as shown in **Figure 5 & 6**.



INSTALLATION INSTRUCTIONS



6. Hang the 4 U-Bolts (2.1) over the frame tubing and through the holes in the skid plate, as shown in **Figures 7**.

Note: Do not pinch any lines or wires between the U-Bolts and Frame. The brake line may run next to the frame.

7. Attach the Plow Mount (1) to the frame, loosely, with the U-Bolts (2.1) and nuts (2.2), as shown in **Figure 8**.
8. Once all hardware is started, tighten hardware evenly.

