

# POLARIS RANGER HIGHLIFTER

Plow Mount

PART #106485

## Kit Components:

Item #	Qty.	Description
1	1	Plow Mount
2	1	Hardware Kit HK-341
2.1	3	3/8"-16 X 1.00" Hex Bolt Flange GR5 Serrated
2.2	3	3/8"-16 Hex Nut Flange Nylock GR5

\*Not all hardware is used\*

**Note:** Make sure all hardware needed to complete this mount is in the package. Thoroughly read through and understand the instructions before installing.

## Installation Instructions

1. Remove bottom bumper hardware (A) and set aside for later.
2. Place mount over bumper as shown in Figure 3. Reinstall bottom hardware (A), through the plow mount, and into the same position they were removed from.
3. Place bolts (2.1) through the top of the mount and into the frame of the machine, securing the bolts with nuts (2.2) on the backside. See Figures 1 and 3.

Figure 1

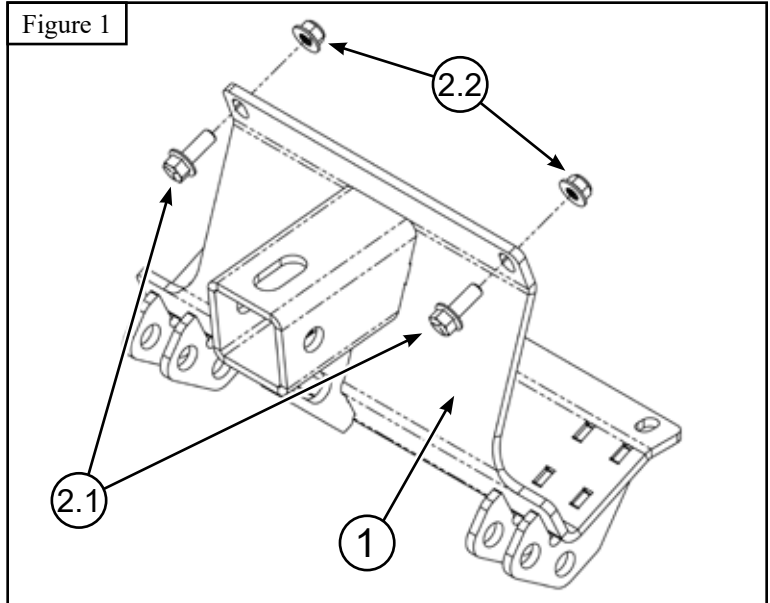


Figure 2

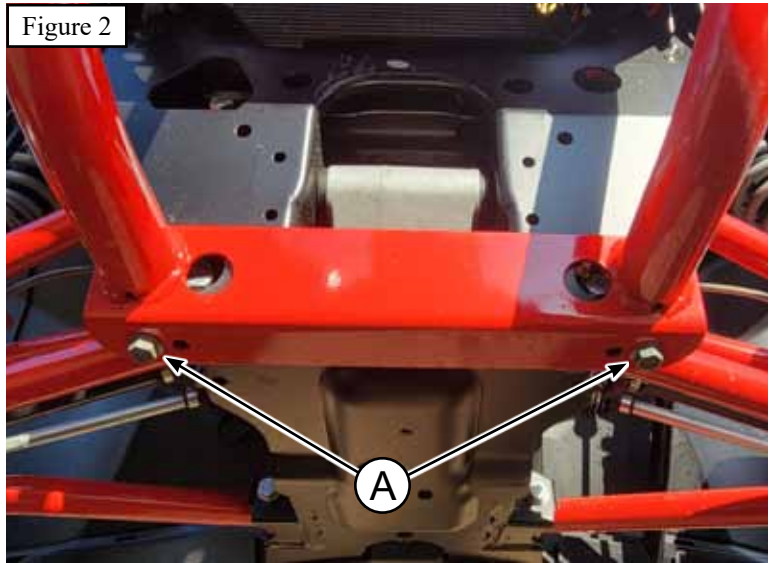


Figure 3

