

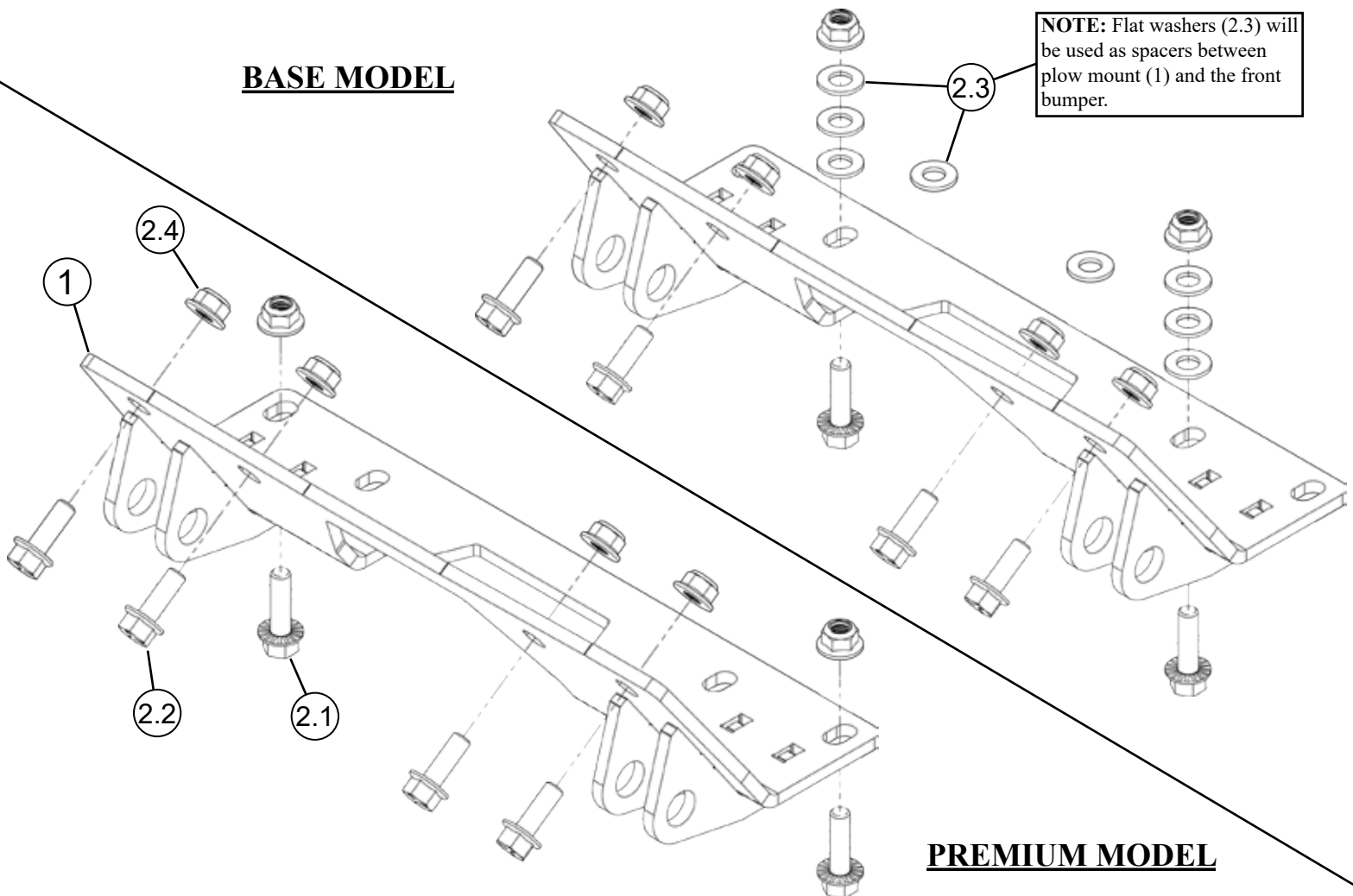
POLARIS RANGER SP 570

Plow Mount

PART #106400

Kit Components:		
Item #	Qty.	Description
1	1	Plow Mount
2	1	Hardware Kit (HK-413)
2.1	2	3/8"-16 x 1.25 Hex Flange Bolt
2.2	4	3/8"-16 x 1.00 Hex Flange Bolt
2.3	8	3/8" Flat Washer (used on base model only)
2.4	6	3/8"-16 Hex Flange Nylock Nut

BASE MODEL



PREMIUM MODEL



INSTALLATION INSTRUCTIONS

Note: Make sure all hardware needed to complete this mount is in the package. Thoroughly read through and understand the instructions before installing. **NOTE: If the plow mount is being installed on a BASE model machine, skip step 1. If installing on a PREMIUM, skip step 2.**

1. Set plow mount (1) in place over the bottom of the front bumper of the machine. Loosely secure the bottom of plow mount (1) using bolts (2.1) and nuts (2.4) as shown in **Figure 1**.
2. Set plow mount (1) in place over the bottom of the front bumper using washers (2.3) as spacers between the plow mount and the front bumper and secure using bolts (2.1) and nuts (2.4) as shown in **Figure 2**.
3. Using plow mount (1) as a template, drill holes (A) using a 13/32" drill bit. Secure the top of plow mount (1) using bolts (2.2) and nuts (2.4) as shown in **Figure 1**. **NOTE:** be sure plow mount (1) is pushed up tightly to the front bumper before marking holes to drill.
4. Tighten all hardware evenly.

