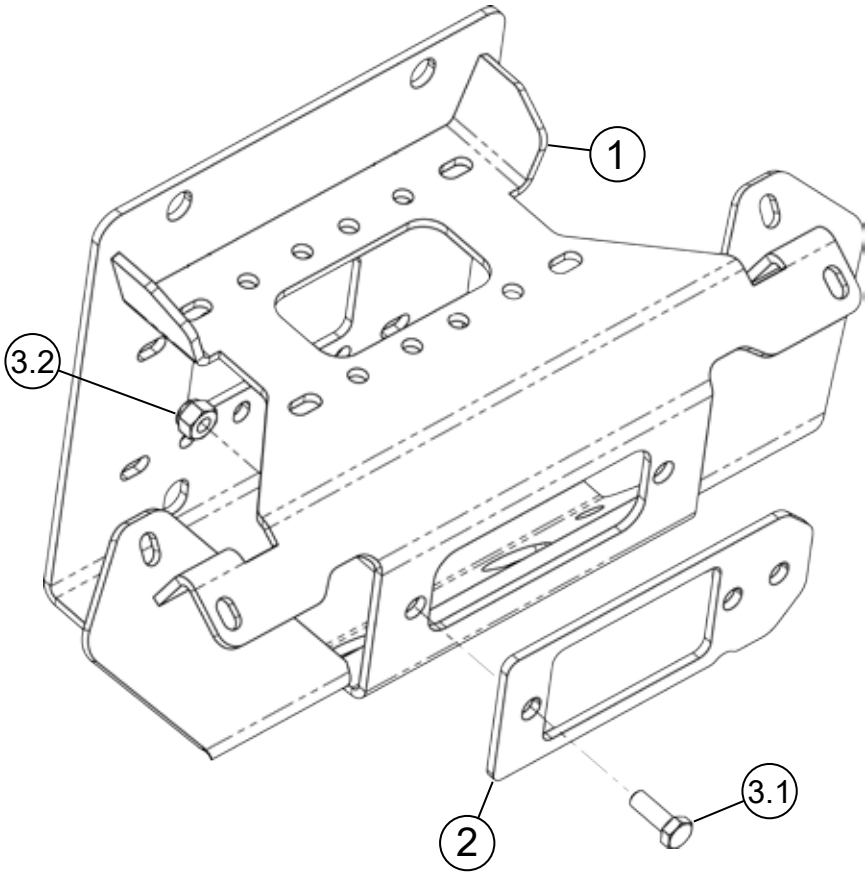


CAN-AM MAVERICK X3

Winch Mount

PART #101955



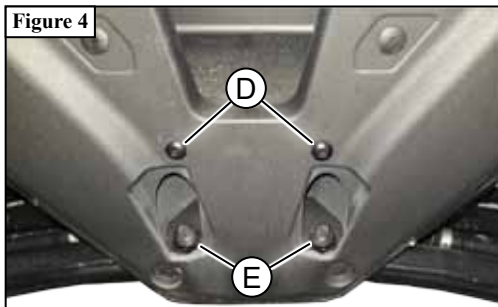
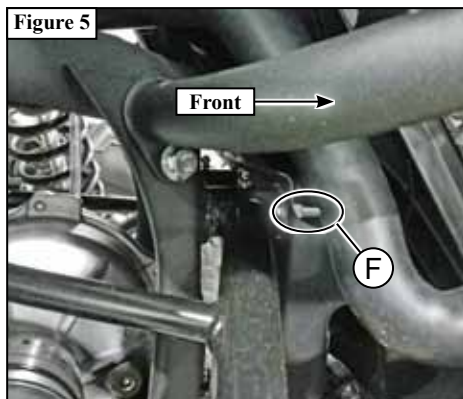
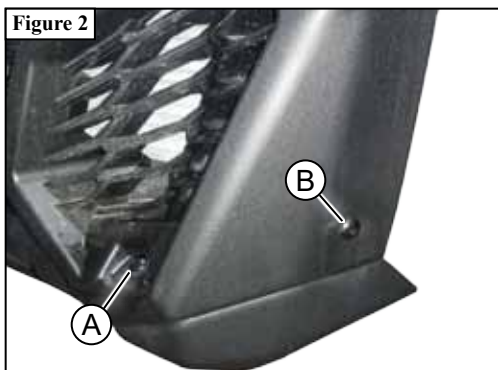
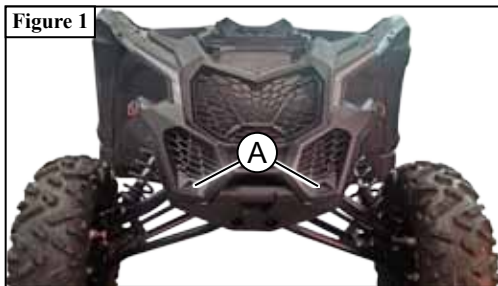
Item #	Qty.	Description	Item #	Qty.	Description
1	1	Winch Mount	3.1	2	3/8"-16 x 1.00 Hex Bolt
2	1	Fairlead Adapter	3.2	2	3/8"-16 Hex Nylock Nut
3	1	Hardware Kit (HK-403)	4	1	Hardware Kit (HK-031)



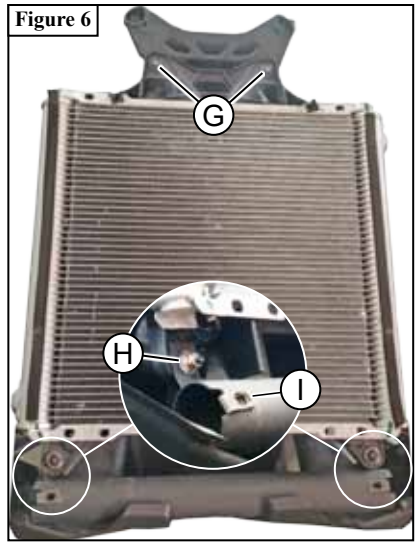
INSTALLATION INSTRUCTIONS

Note: Make sure all hardware needed to complete this mount is in the package. Thoroughly read through and understand the instructions before installing.

1. Remove two bolts (A) as shown in **Figure 1**.
2. Remove two rear bolts (B), one on each side as shown in **Figure 2**.
3. Remove two upper bolts (C) one on each side as shown in **Figure 3**.
4. Remove screws (D) and remove two lower A-arm nuts (E) as shown in **Figure 4**.
5. Remove two front upper A-arm nuts (F) as shown in **Figure 5**.

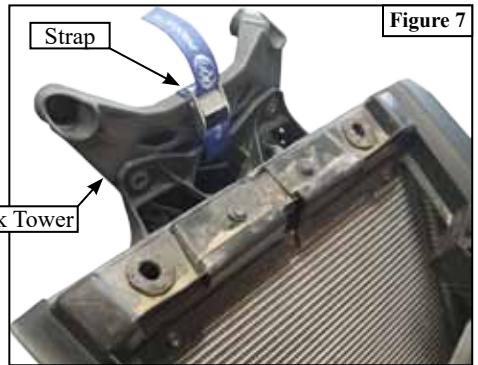


6. Remove two upper radiator bolts (G) and two lower radiator bolts (H) as shown in **Figure 6**.



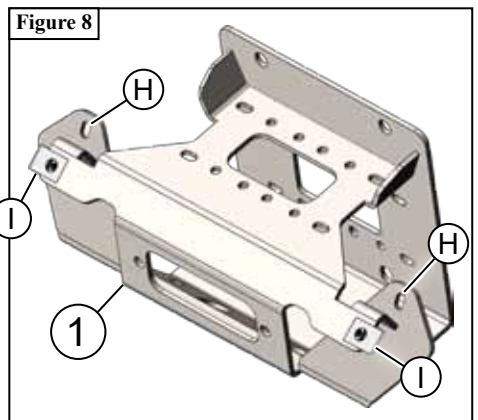
7. Remove two threaded clips (I) as shown in **Figure 6**. **NOTE:** Do not discard clips as they will be reinstalled in a later step.

8. Place small strap around center of shock tower and upper radiator mount as shown in **Figure 7**. Lift radiator by tightening strap to allow access to remove OEM bumper and installation of winch mount (1).



9. Remove lower factory bumper and discard.

10. Place factory threaded clips (I) removed in step 7 onto the KFI winch mount. Shown in **Figure 8**.



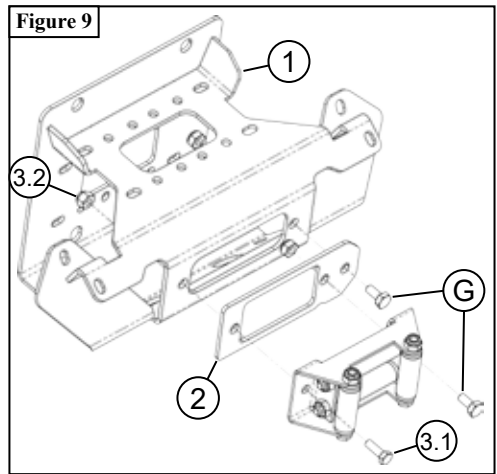
11. Attach fairlead to winch mount (1).

- **Standard Fairlead (4.875") bolt pattern**

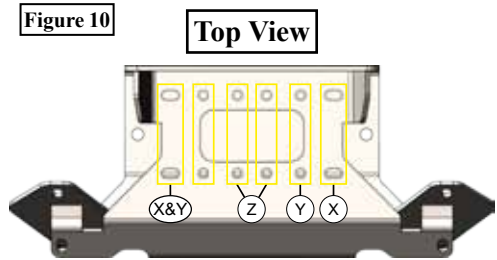
Attach the fairlead adapter mount (2) and fairlead to the passenger side of winch mount (1) using fairlead bolts (G) supplied with the winch and hardware (3.1 & 3.2) on the driver side as shown in **Figure 9**.

- **Wide Fairlead (6.00") bolt pattern**

Attach the fairlead directly to winch mount (1) using the hardware supplied with the winch.

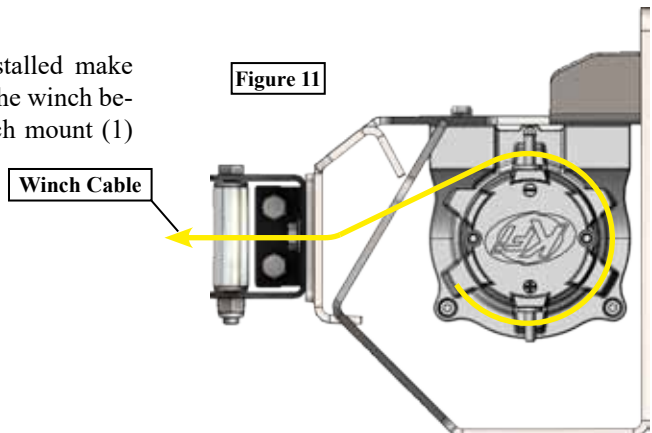


12. Feed winch cable through the fairlead and place the winch inside of the mount (1) upside down with the clutch end of the winch on the passenger side of the machine. Bolt the winch to the mount using the hardware provided with your winch as shown in **Figures 11**.



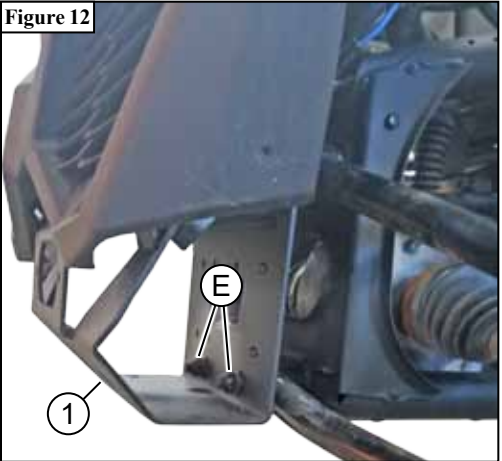
NOTE: For wide winches, use holes (X). For standard winches, use holes (Y). For two hole winches use holes (Z) as shown in **Figure 10**.

NOTE: When the winch is installed make sure the cable is spooling off of the winch between the winch drum and winch mount (1) as shown in **Figure 11**.



13. Place the winch mount (1) under the grill lining up the four holes in the mount with the A-arm bolts and secure using nuts (E) and (F) previously removed in steps 4 and 5 as shown in **Figures 12 & 13**. **NOTE:** winch not installed for clarity.

Figure 12



14. Attach the radiator to the winch mount using the OEM bolts (H) previously removed in step 6 shown in location (H) as shown in **Figures 8 & 14**.

Figure 13

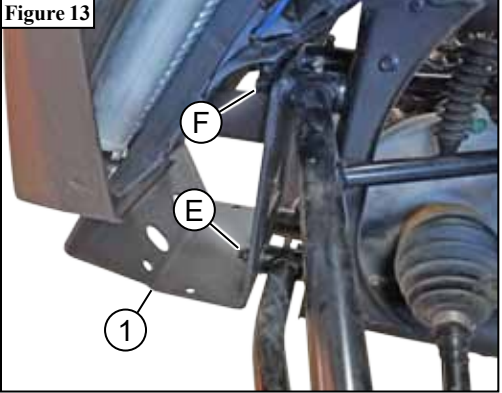
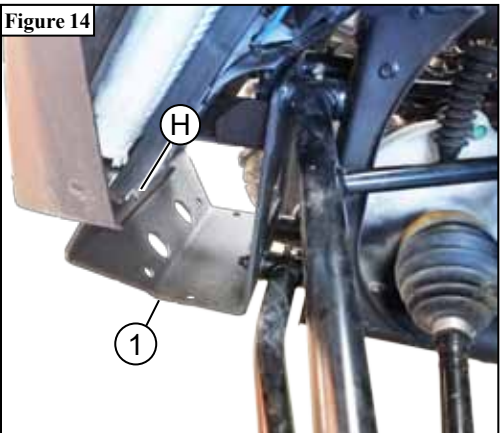
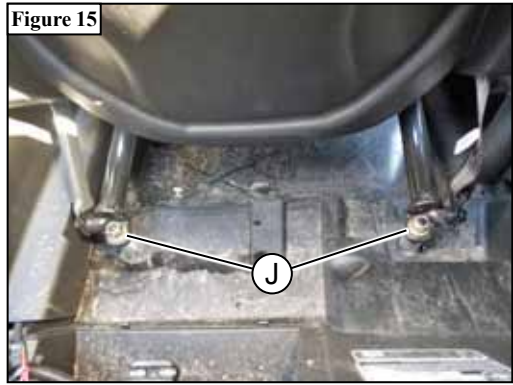


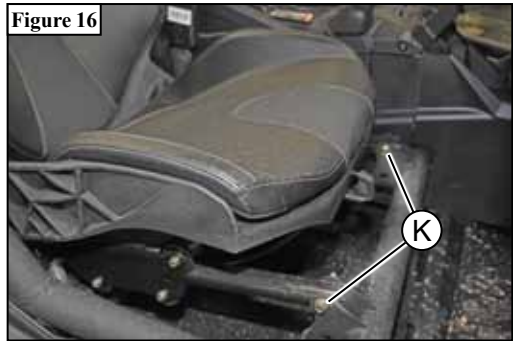
Figure 14



15. Before wiring first remove the two bolts (J) behind the passenger seat as shown in **Figure 15**.

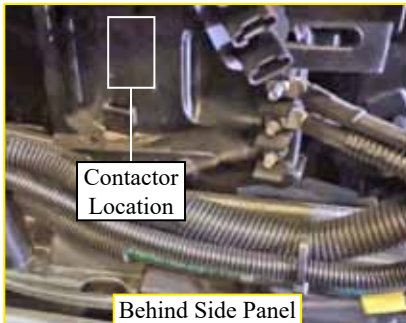


16. Remove the two bolts (K) in the front of the passenger seat and remove the seat from the machine as shown in **Figure 16**.

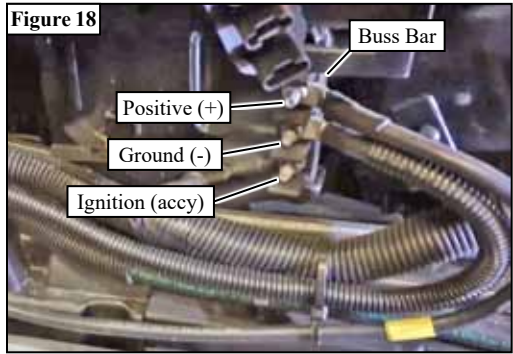


17. Remove the passenger side panel under the center console to expose the wires.

18. Attach the contactor behind the passenger side panel under the center console as shown in **Figure 17**.

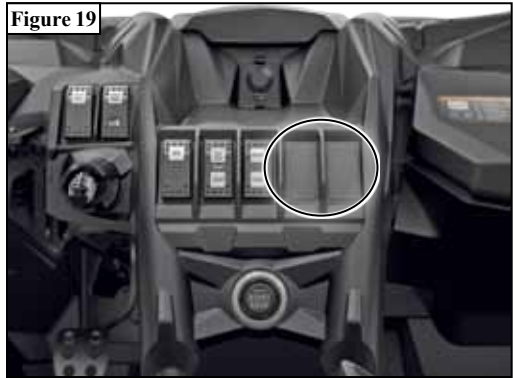


19. Attach the contactor to the bus bar located behind the passenger side panel using the red and black wires provided with your winch. The red wire will connect to the center positive post. The black wire will go to the ground post as shown in **Figures 18 & 19**.



20. Run the longer winch wires from the contactor up to the front of the machine following the dashed line and connect to the winch as shown in **Figure 17**.

21. In the dash console of the machine, there are pre-notched holes for the dash rocker switch to be installed as shown in **Figure 19**.



22. Route the switch wires from the dash down to the contactor location. Attach the ignition fed wire (RED) from your switch to the ignition accessory post on the bus bar as shown in **Figure 18**.

23. See winch manual for more wiring details.