

# HISUN/BENNCHE

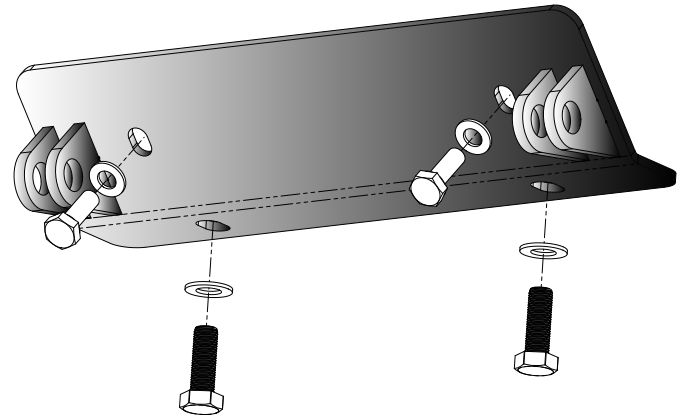
Plow Mount

PART # 105555

Hardware Kit: HK-186

Kit Components:

Item #	Qty.	Description
1	1	Plow Mount
2	2	M12-1.25 X 30mm HEX BOLT
3	4	M12 FLAT WASHER
4	2	M12 LOCK WASHER, SPLIT
5	2	M12-1.25 HEX NUT
6	2	M10-1.25 X 30mm HEX BOLT
7	4	M10 FLAT WASHER
8	2	M10 LOCK WASHER, SPLIT
9	2	M10-1.25 HEX NUT



“Figure 1”

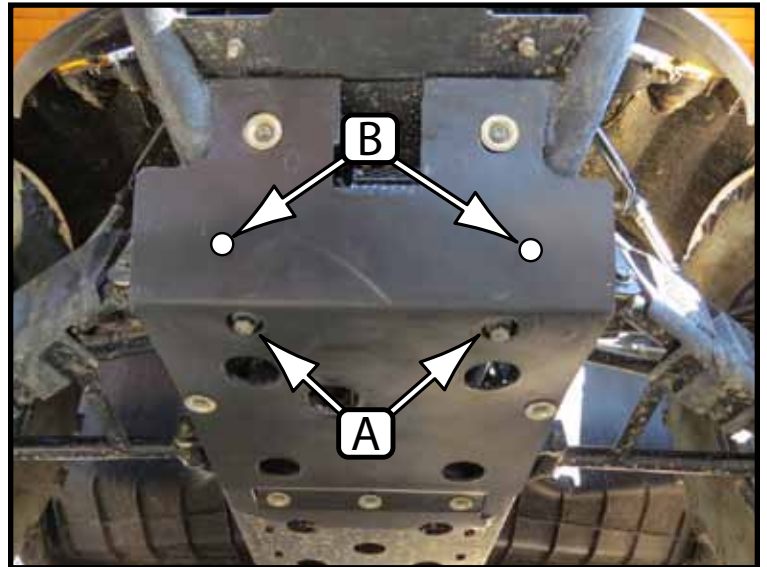
## INSTALLATION INSTRUCTIONS:

***Note: Not all hardware will be used in installing the plow mount.***

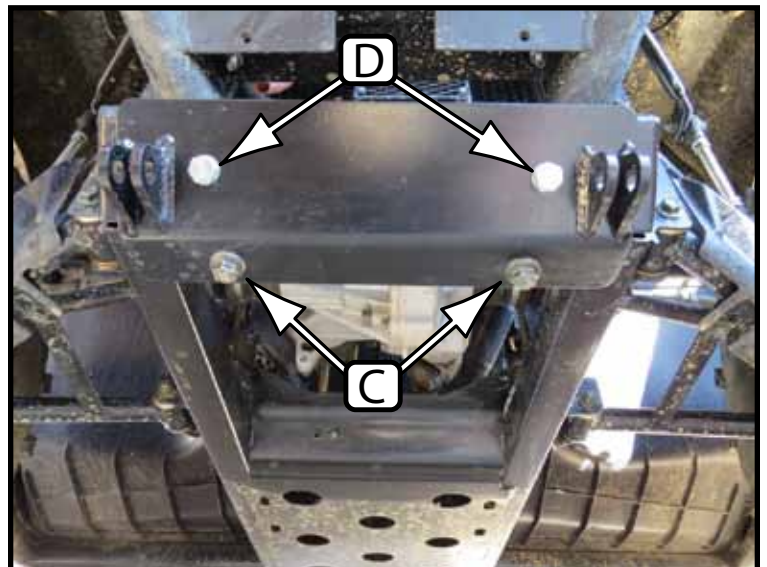
1. Remove bolts (A) on front lower panel as shown in Figure 2.

***Note: You may choose to remove the skid plate. If so, remove the skid plate and skip to step 5.***

2. Place mount plate over lower front panel and install the 2 lower M12 x 30mm bolts supplied with the hardware kit.
3. Mark the two upper holes (B) on the skid plate. Remove the M12 bolts and mount plate installed in step 2.
4. Remove the skid plate and drill holes (B).
5. Reinstall skid plate.
6. Install mount plate using the M12 bolts (C) for the bottom holes and the M10 Bolts (D) for the top holes.
7. Tighten down all bolts.
8. See UTV Plow Tube System instruction manual for tube attachment.



“Figure 2” Front of UTV



“Figure 3” Mount Plate Install



# Can-Am Maverick X3

## Plow Mount

Plow Mount

PART # 105555

Kit Components:

Item #	Qty.	Description
1	1	Plow Mount

**!ATTENTION!** - This kit requires the KFI winch mount to be previously installed before starting. It also requires a 2in Lift Kit. Both sold separately.

### INSTALLATION INSTRUCTIONS:

*Note: Not all hardware will be used in installing the plow mount.*

1. Place the plow mount (105555) under the KFI winch mount. Shown in [Figure 2](#).
2. Bolt up the plow mount using the two M12 x 30mm hex bolts and M12 hardware into the lower set of holes. (HK-186)
3. Use the two M10-1.25 X 30mm hex bolts and M10 hardware in the top set of holes.
4. Tighten down all four mounting bolts.
5. \*REQUIRES 2 IN LEVELING KIT (sold separately)\* Install the 2" plow leveling kit using manual included with 2" plow leveling kit. Shown in [Figure 3](#).
6. See UTV Plow Tube System instruction manual for tube attachment.

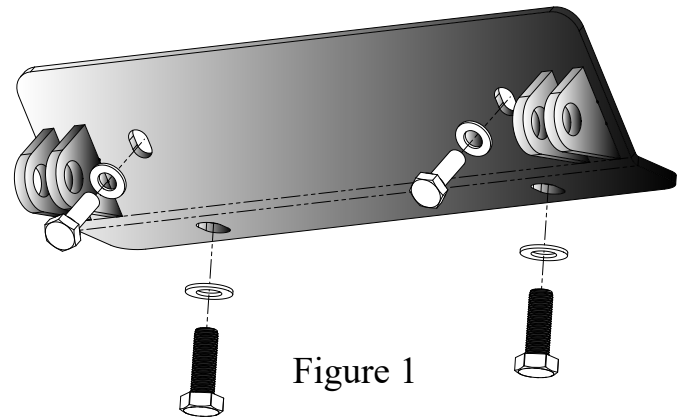


Figure 1

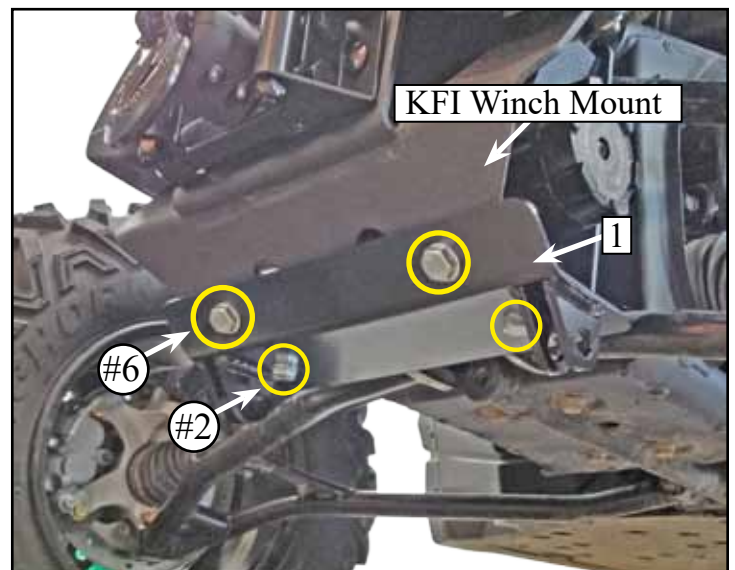


Figure 2



Figure 3

