

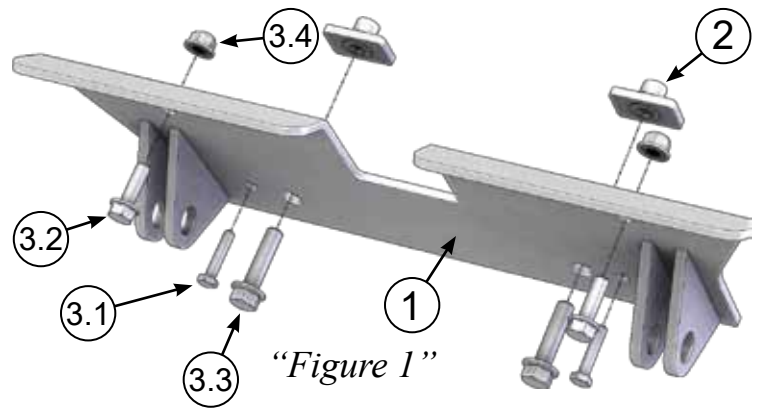
CAN-AM COMMANDER

Plow Mount

PART # 105275

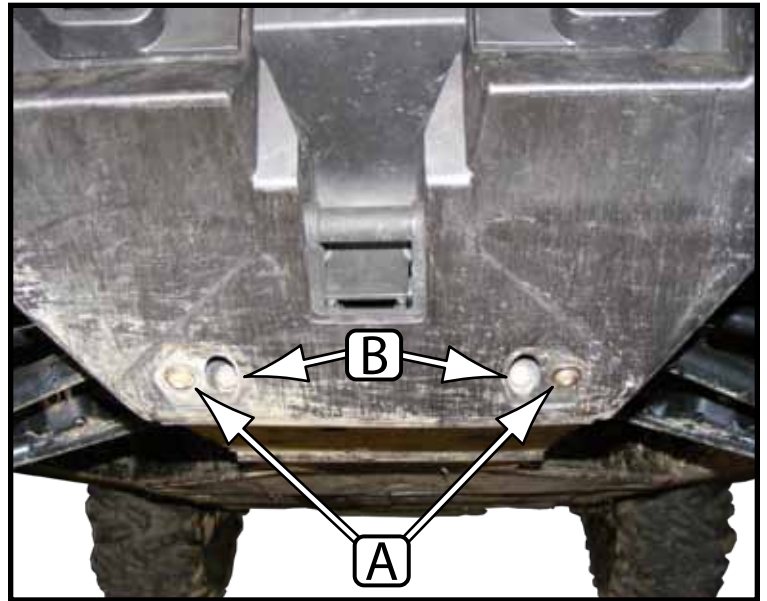
Hardware Kit: HK-133

Item #	Qty.	Description
1	1	Plow Mount Plate
2	2	Plow Mount Nut
3	1	HK-133
3.1	2	M6 x 30mm Bolt GR8.8
3.2	2	3/8"-16 x 1.5" Bolt GR5
3.3	2	5/16"-18 x 1" Bolt GR5
3.4	2	5/16"-18 Flanged Nylock Nut GR5



INSTALLATION INSTRUCTIONS:

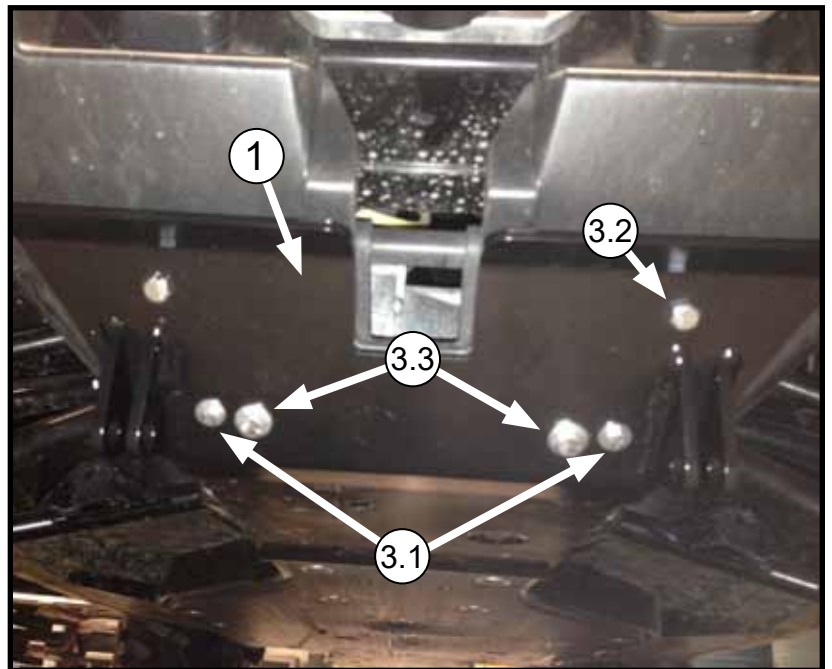
1. Remove bolts (A) on front lower panel as shown in Figure 2.
2. Place Square Nuts (2) behind holes (B) as shown in Figure 3.
3. Place mount plate (1) over lower front panel and install the M6 Bolts (3.1) and 3/8" Bolts (3.2) supplied with the hardware kit in the lower holes as shown in Figure 4.
4. Using the mount plate as a template, drill the 2 upper holes and install the 5/16" hardware (3.2) as shown in Figure 4.
5. Tighten down all bolts.
6. See UTV Plow Tube System instruction manual for tube attachment.



"Figure 2" Front of UTV



"Figure 3" Square Nut Placement



"Figure 4" Mount Plate Install

