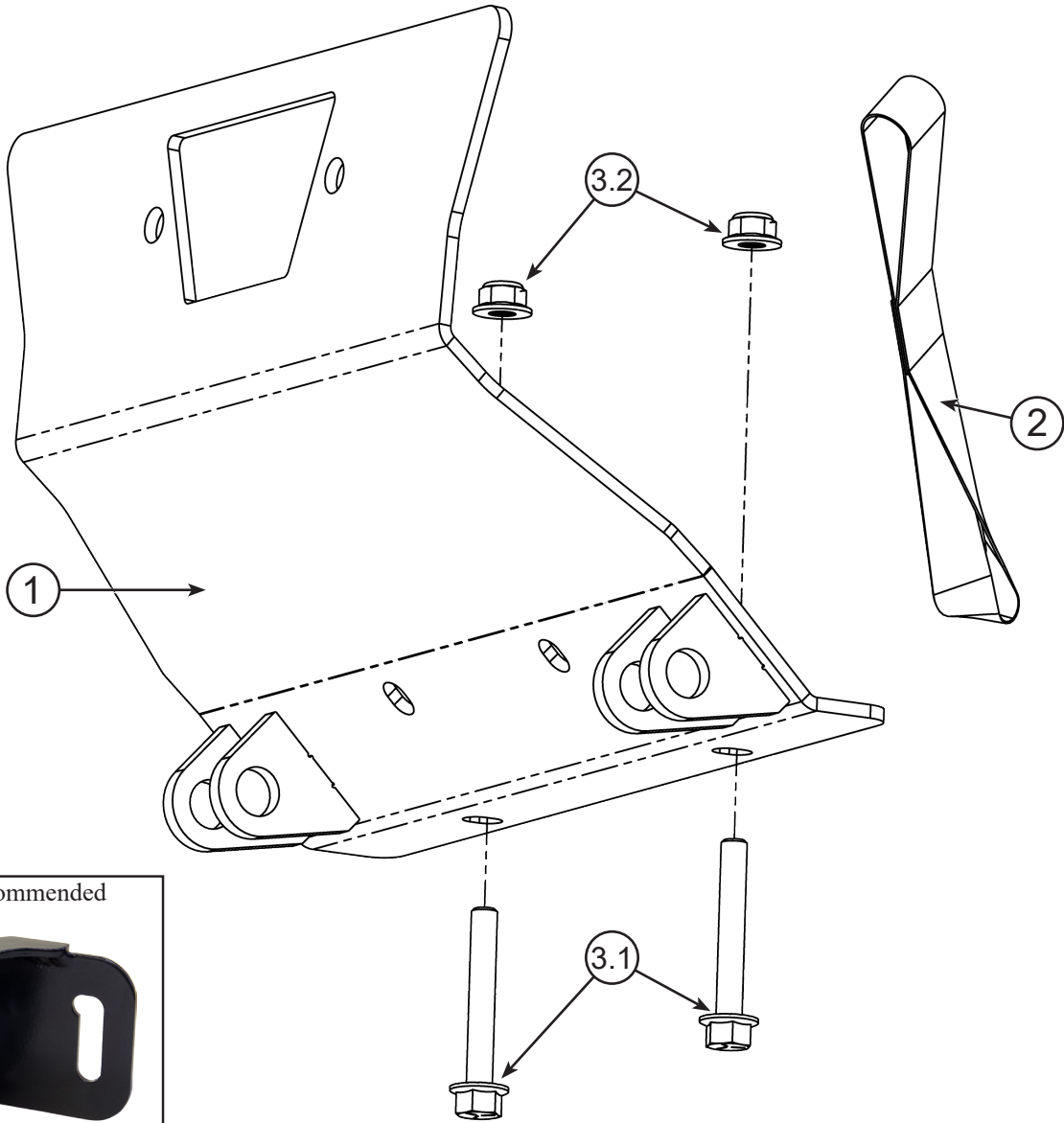


ZFORCE 800/950 TRAIL

Plow Mount

Part #106605

Kit Components:		
Item #	Qty.	Description
1	1	Plow Mount
2	1	12" Soft Strap
3	1	Hardware Kit HK-431
3.1	2	3/8"-16 X 2.50" Hex Bolt Flange Gr5 Serrated
3.2	2	3/8"-16 Hex Nut Flange Nylock Gr5

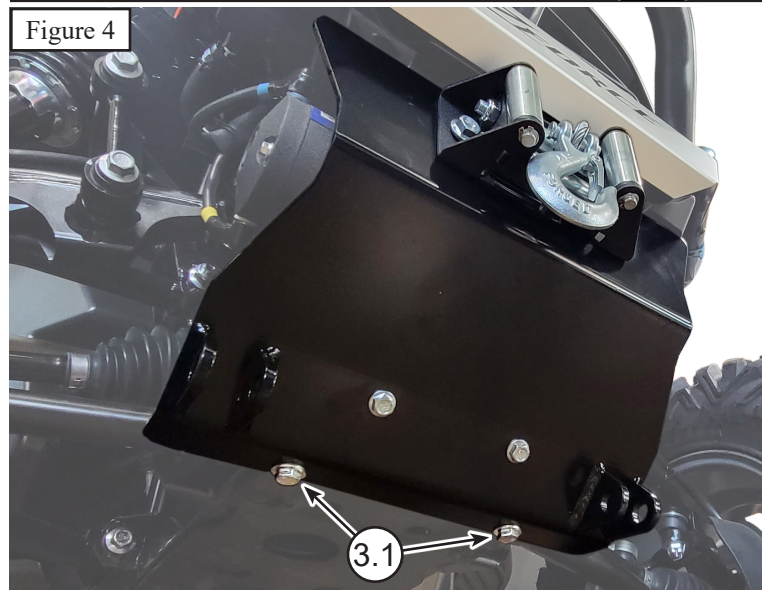
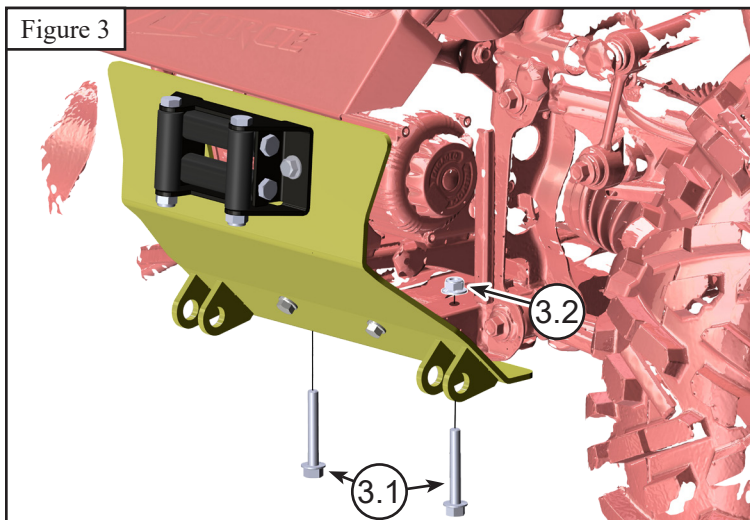
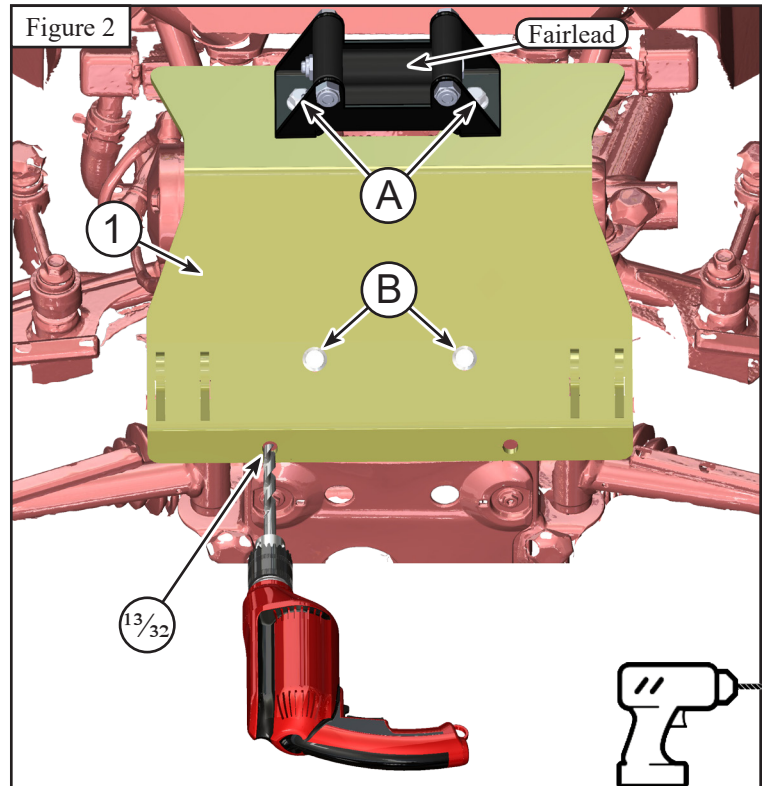
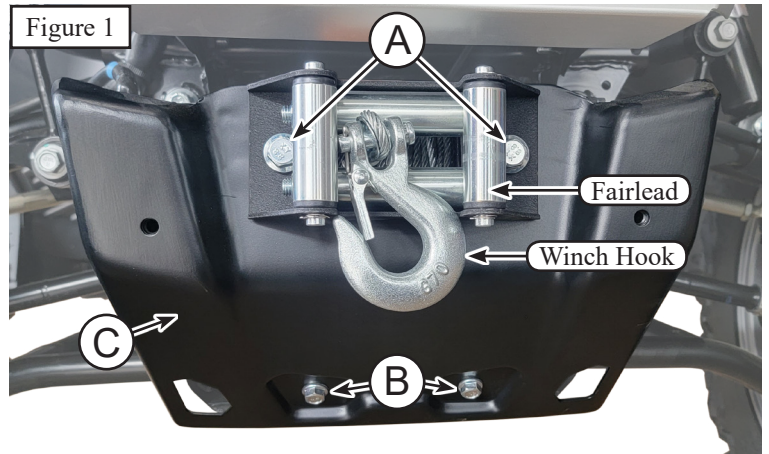


INSTALLATION INSTRUCTIONS

Note: Make sure all hardware needed to complete this mount is in the package. Thoroughly read through and understand the instructions before installing.

1. Locate the Winch Hook and remove it from your winch cable by removing the cotter pin and hook pin.
2. With the hook removed, you can remove bolts (A), identified in **Figure 1**, and remove the fairlead from the machine.
3. Remove bolts (B), identified in **Figure 1**, and remove the Winch Guard (C) from the machine. This guard will not be reinstalled.
4. Place the Plow Mount (1) on the machine and secure the mount with bolts (B). Pull the winch cable through the plow mount and fairlead before installing the Fairlead. Secure with original bolts (A) as shown in **Figure 2**.
5. Use the Plow Mount (1) as a template to drill the bottom holes all the way through your frame as shown in **Figure 2** with a 13/32" drill bit. Make sure there is nothing in the way that could be damaged.
6. Once the holes are drilled, bolts (3.1) can be installed through the bottom holes and secured with nuts (3.2) as shown in **Figure 3** and 4.
7. Ensure all hardware is tightened completely and reinstall the winch hook.

Note: A pulley should be installed on the push tubes (Position 2 on next page) to reduce strain on your winch cable. The soft strap will go around your bumper to give an attachment point for your winch hook.



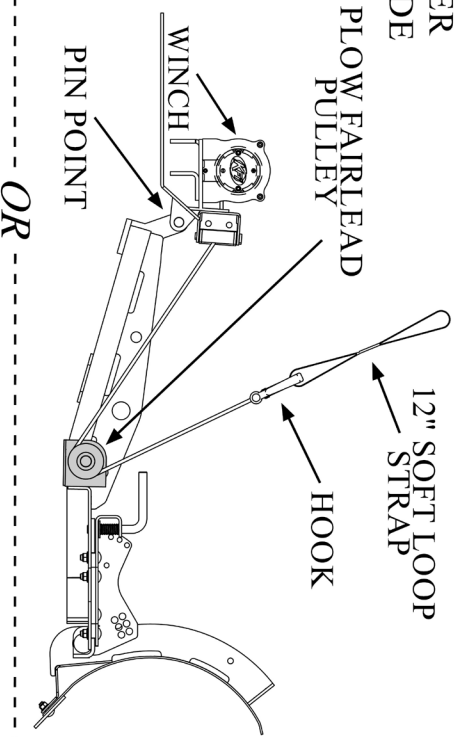
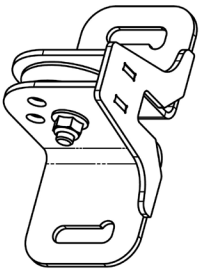
PULLEY INFORMATION



THIS MOUNT RECOMMENDS A PLOW PULLEY

SYNTHETIC ROPE PLOW FAIRLEAD PULLEY

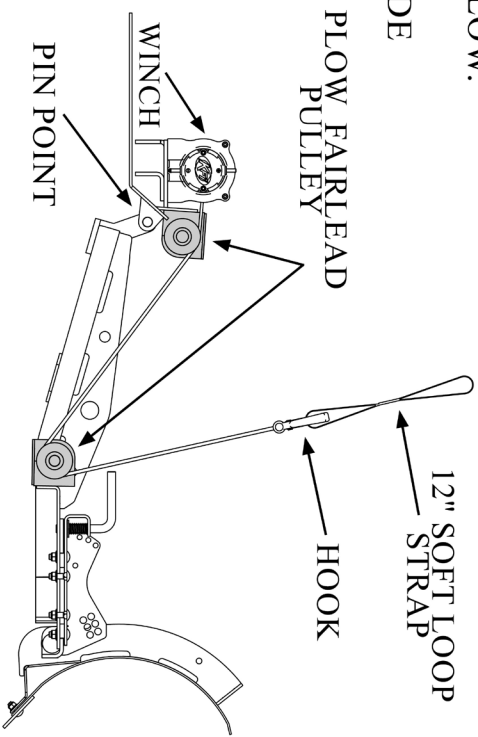
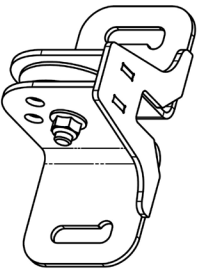
- ALUMINUM ROLLER
- STANDARD OR WIDE



OR

STEEL CABLE PLOW FAIRLEAD PULLEY

- RECOMMEND A PULLEY AT THE WINCH AS WELL AS PUSH TUBE.
- VIEW EXAMPLE BELOW.
- STEEL ROLLER
- STANDARD OR WIDE



12\"/>

WHY USE A PULLEY?

WHEN THE WINCH FAIRLEAD AND PLOW PIN POINT ARE CLOSE TO EACH OTHER, IT CREATES A SHALLOW LIFTING ANGLE. BY ADDING A PULLEY, YOU ARE CHANGING THE WINCH ANGLE TO A MORE VERTICAL LIFTING POSITION. THIS WILL PROVIDE LESS STRAIN ON THE WINCH AND ENTIRE PLOW SYSTEM.

POSSIBLE POSITIONS

STANDARD FAIRLEAD PULLEY REQUIRED FOR ALL PUSH TUBE APPLICATIONS

