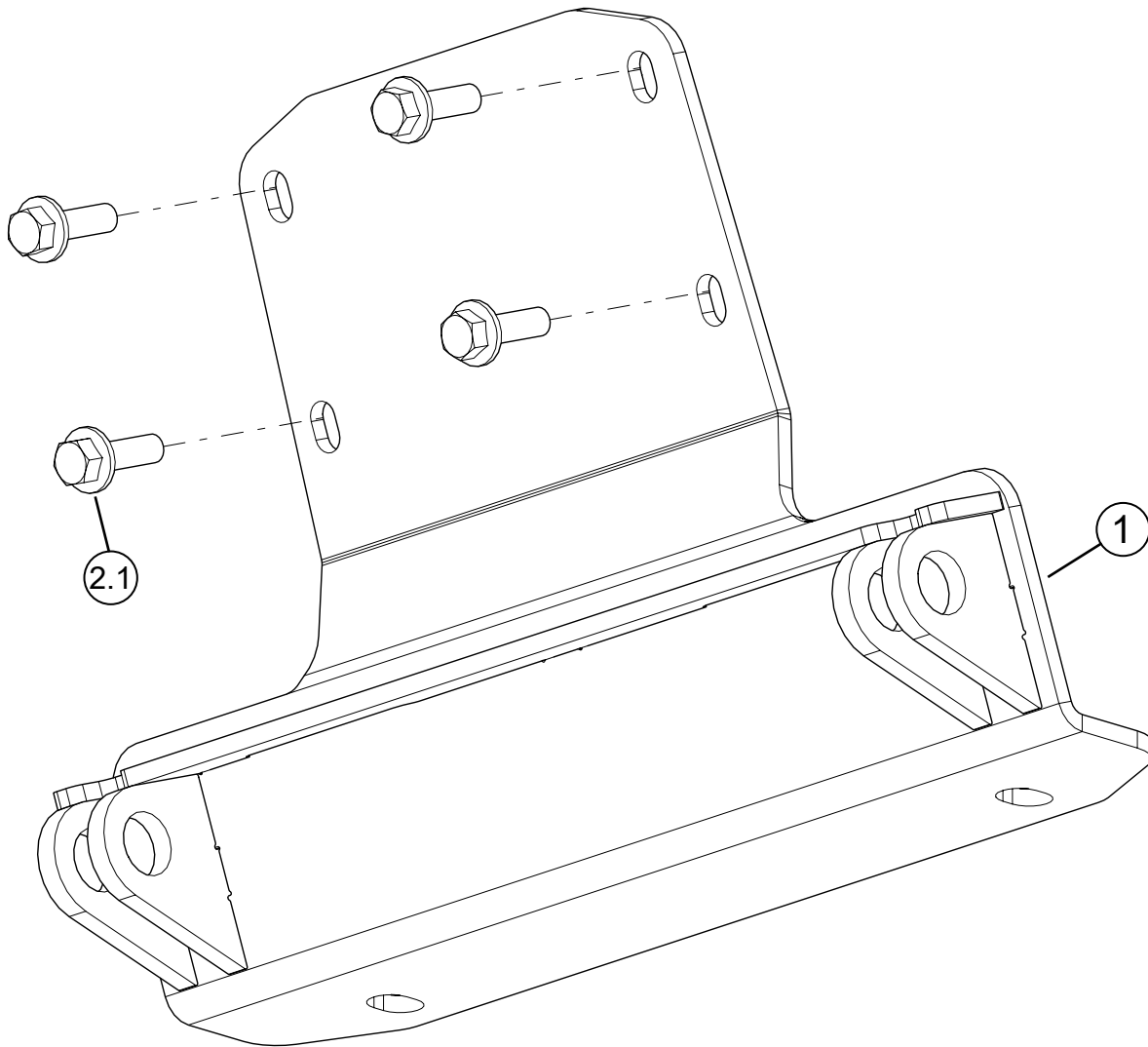


CFMOTO UFORCE 1000

Plow Mount PART #106050

Kit Components:		
Item #	Qty.	Description
1	1	Plow Mount
2	1	Hardware Kit (HK-374)
2.1	4	M8-1.25 x 25 Hex Flange Bolt GR8.8



INSTALLATION INSTRUCTIONS

Note: Make sure all of the hardware needed to complete this mount is in the package. Read through and understand the instructions before installing.

1. Remove bottom bumper bolts (A) and set aside to be reinstalled in a later step. See **Figure 1**.
2. Remove front receiver from the machine and set aside.
3. Hold plow mount (1) into place and *loosely* reinstall bolts (A) by going through the plow mount and then back into the bumper. See **Figure 2**.
4. Hold receiver (B) into place and install bolts (2.1) by going through the receiver, plow mount, and then into bumper. See **Figure 3**.
5. Once all hardware is started, tighten all hardware evenly.

WARNING: If your winch cable comes close to or is rubbing on the front receiver, remove the receiver before plowing to keep from damaging your winch cable or rope.

