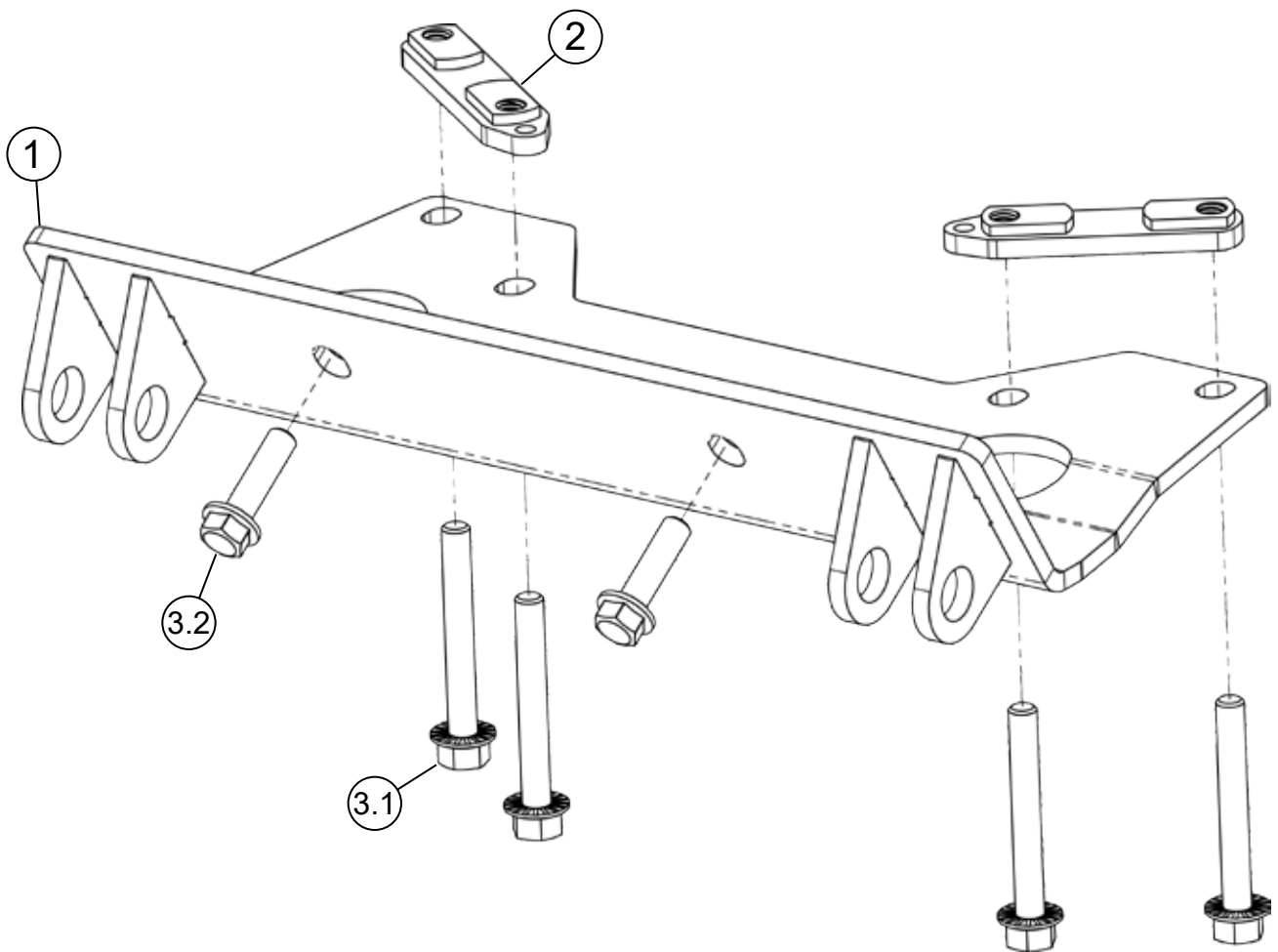


CFMOTO UFORCE 600

Plow Mount PART #106415

Kit Components:		
Item #	Qty.	Description
1	1	Plow Mount
2	2	Bolt Plate
3	1	Hardware Kit (HK-415)
3.1	4	3/8"-16 x 2.75 Hex Flange Bolt
3.2	2	M10-1.25 x 35 Hex Flange Bolt



INSTALLATION INSTRUCTIONS

Note: Make sure all hardware needed to complete this mount is in the package. Thoroughly read through and understand the instructions before installing.

1. Remove OEM bolts (A) from front bumper as shown in **Figure 1**.
2. Set plow mount (1) in place and fasten to front bumper using bolts (3.2) as shown in **Figure 2**.
3. Using plow mount (1) as a template, drill through skid plate on driver side of the machine using a 13/32" drill bit as shown in **Figure 2**.
4. Place bolt plates (2) above frame rail on both passenger side and driver side of the machine and secure rear of plow mount (1) to bolt plate (2) using bolts (3.1) as shown in **Figure 2 & 3**.
5. Tighten all hardware evenly.

