

HONDA PIONEER 1000

Plow Mount PART #105740

Kit Components:

Item #	Qty.	Description
1	1	Plow Mount
2	1	Hardware Kit HK-321
2.1	4	M10-1.25 X 30 HEX BOLT GR8.
2.2	4	M10 LOCK WASHER ZINC
2.3	4	M10 FLAT WASHER ZINC
2.4	1	3/8"-16 X .75 HEX BOLT GR5
2.5	1	3/8"-16 HEX NUT FLANGE NYLOCK GR5

Note: 3/8" Hardware Not Used

INSTALLATION INSTRUCTIONS

Note: Make sure all hardware needed to complete this mount is in the package. Thoroughly read through and understand the instructions before installing.

1. Locate the four factory threaded holes (A) on the bottom of the front of your machine. (see Figures 2 & 3).
2. Align your mount to the holes and insert the M10 hardware supplied with your mount (see Figure 1)
3. Evenly tighten the hardware and you are ready to attach your plow (see Figure 4).
4. See UTV Plow Tube System instruction manual for tube attachment.

Figure 1

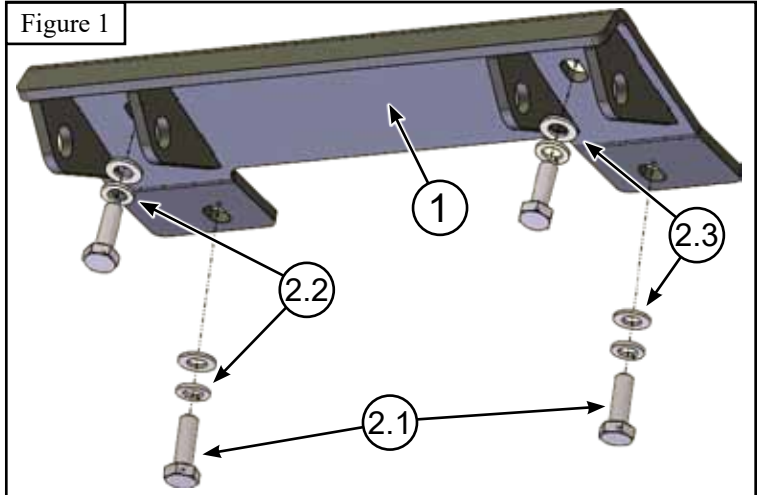


Figure 2



Figure 3

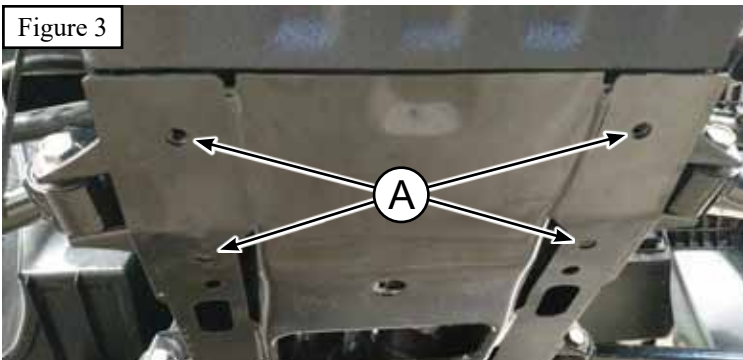


Figure 4

