

KAWASAKI TERYX

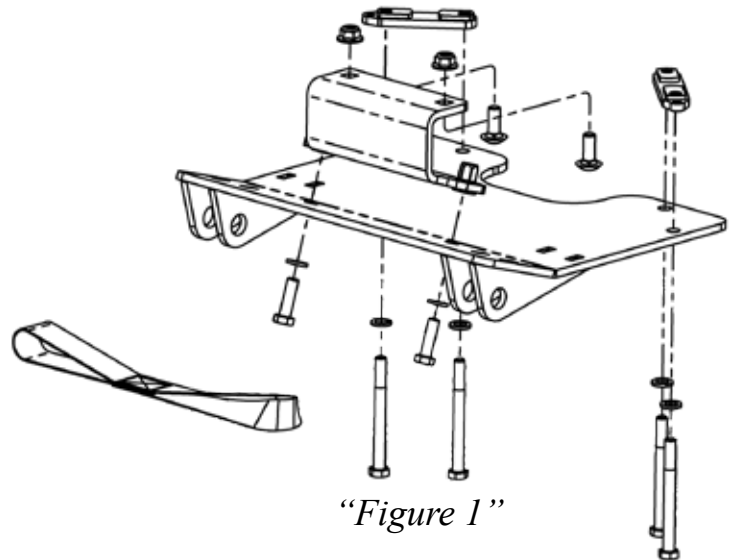
Plow Mount

PART # 105250

Hardware Kit: HK-104

Kit Components:

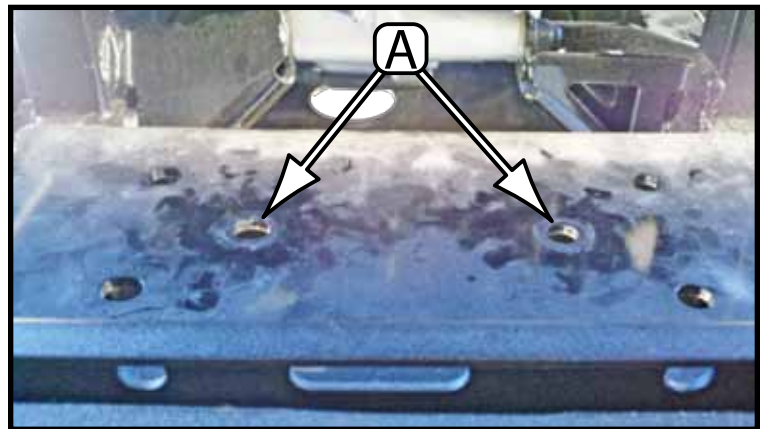
Qty.	Part Description
1.....	Plow Mount Plate
1.....	Plow Mount Plate Bracket
2.....	Bolt Plate
4.....	3/8"-16 x 3 3/4" Bolt
6.....	3/8" Split Lock Washer
2.....	3/8"-16 Hex Flanged Nylock Nut
2.....	3/8"-16 x 1" Carriage Bolt
2.....	3/8"-16 x 1 1/4" Bolt
1.....	12" Soft Loop Strap



INSTALLATION INSTRUCTIONS:

1. Install Mount Plate Bracket as shown in Figure 3 using the holes (A) shown in Figure 2. Secure Plate using the 3/8"-16 x 1" Carriage Bolts and Nuts.

See Page 2 for continuation of instructions.



“Figure 2” Mount Plate Bracket Bolt Locations

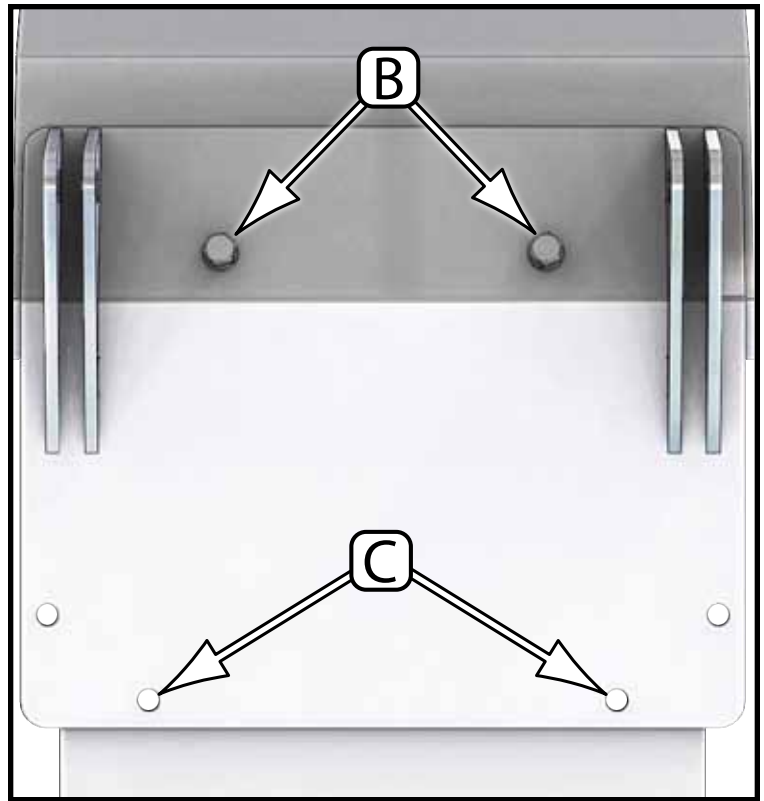


“Figure 3” Mount Plate Bracket Install



2. Place Mount Plate up to Mount Plate Bracket and install using the 3/8"-16 x 1 1/4" Bolts and Lock Washers (B) as shown in Figures 4&6.

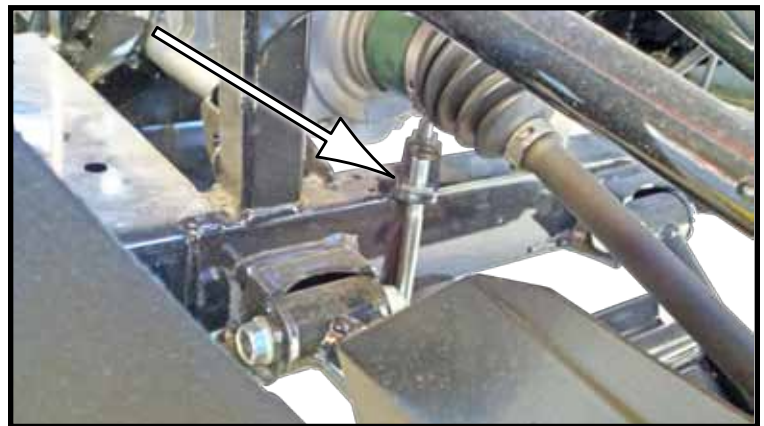
3. Using the Mount Plate as a template, drill out the inside rear holes (C) for 3/8" hardware.



"Figure 4" Skid Plate Drill Pattern

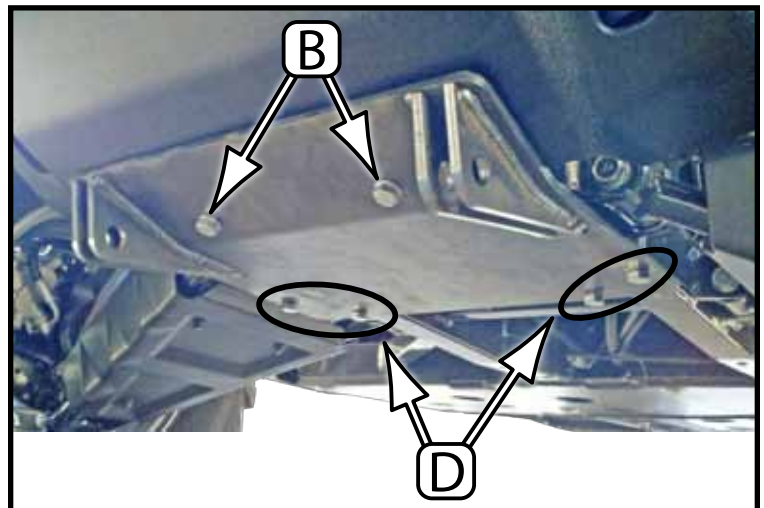
4. Install the Bolt Plate using the 3/8"-16 x 3 3/4" Bolts and Lock Washers (D) as shown in Figures 5&6.

5. Tighten down all bolts.



"Figure 5" Bolt Plate Location

6. See UTV Plow Tube System instruction manual for tube attachment.



"Figure 6" Mount Plate Final Install

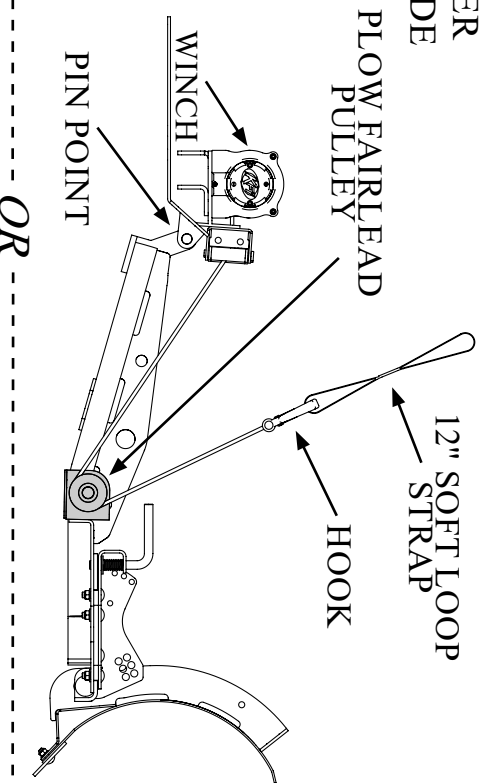
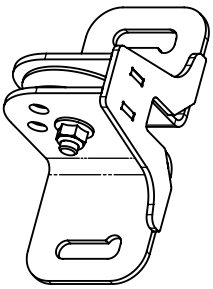




THIS MOUNT RECOMMENDS A PLOW PULLEY

SYNTHETIC ROPE PLOW FAIRLEAD PULLEY

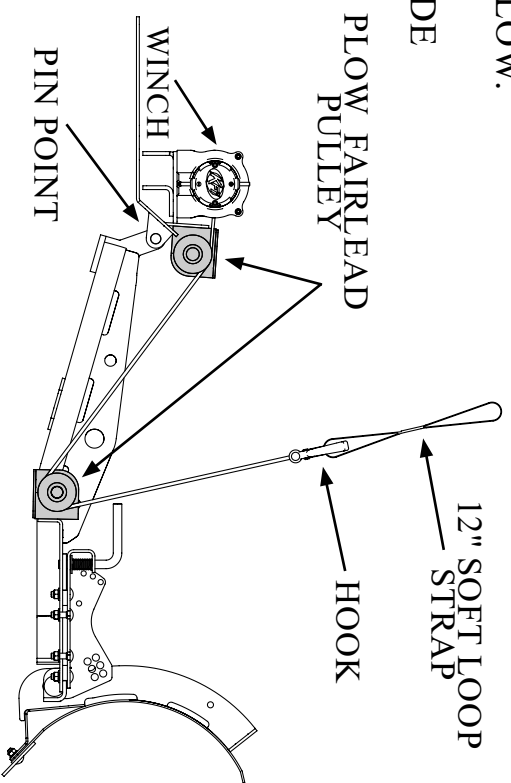
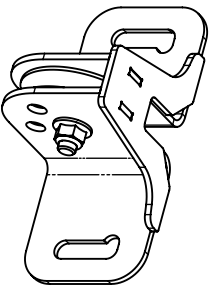
- ALUMINUM ROLLER
- STANDARD OR WIDE



OR

STEEL CABLE PLOW FAIRLEAD PULLEY

- RECOMMEND A PULLEY AT THE WINCH AS WELL AS PUSH TUBE.
- VIEW EXAMPLE BELOW.
- STEEL ROLLER
- STANDARD OR WIDE

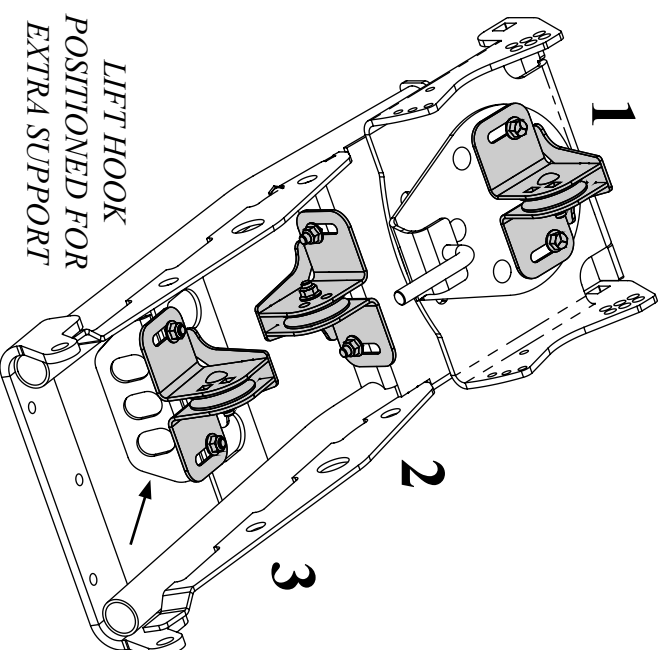


WHY USE A PULLEY?

WHEN THE WINCH FAIRLEAD AND PLOW PIN POINT ARE CLOSE TO EACH OTHER, IT CREATES A SHALLOW LIFTING ANGLE. BY ADDING A PULLEY, YOU ARE CHANGING THE WINCH ANGLE TO A MORE VERTICAL LIFTING POSITION. THIS WILL PROVIDE LESS STRAIN ON THE WINCH AND ENTIRE PLOW SYSTEM.

POSSIBLE POSITIONS

STANDARD FAIRLEAD PULLEY REQUIRED FOR ALL PUSH TUBE APPLICATIONS



12\"/>