

YAMAHA VIKING

Plow Mount

PART # 105530
Hardware Kit: HK-150

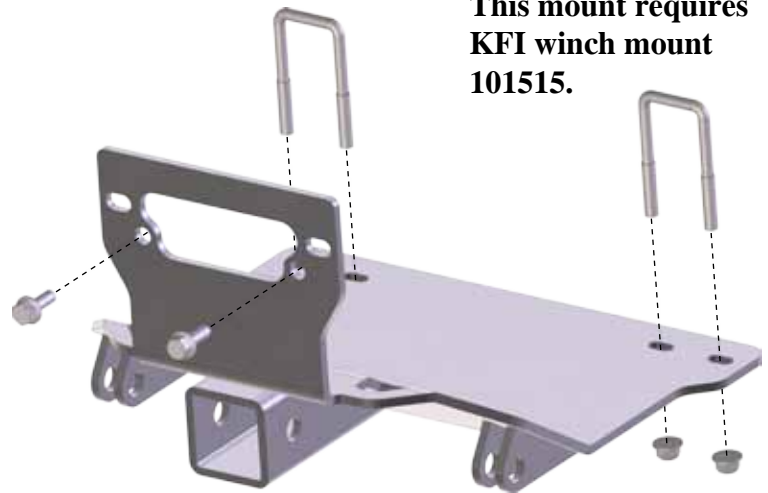
**This mount requires
KFI winch mount
101515.**

Kit Components:

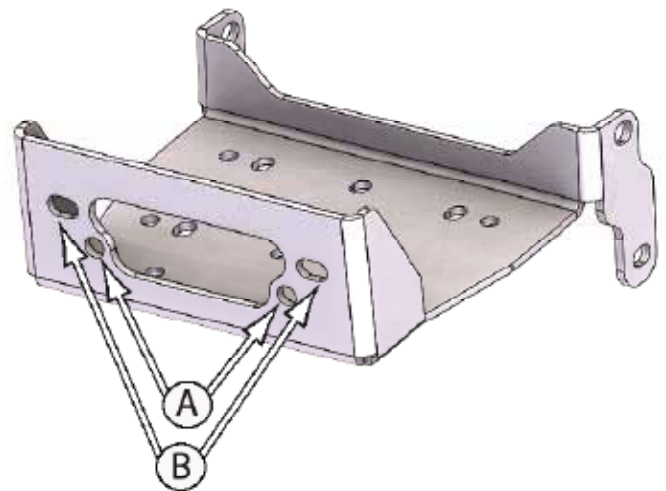
Qty.	Part Description
1.....	Plow Mount Plate
2.....	3/8"-16 Square U-Bolt
2.....	3/8"-16 x 1" Flanged Bolt
4.....	3/8"-16 Nylock Flanged Nut

INSTALLATION INSTRUCTIONS:

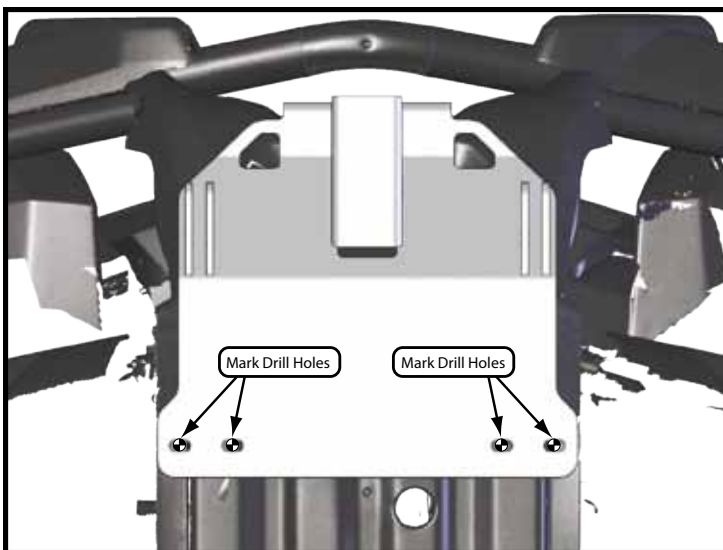
1. Install your winch mount following the instructions provided with your mount.
2. Install the Plow Mount Plate using the 1" Flanged Bolts by bolting through the holes ("A" for standard width, "B" for wide) in the Winch Mount Plate. See Figure 2 and 3.
3. Using the Plow Mount as a template mark drill holes on the plastic skid plate as shown in Figure 4.
4. Remove Plow Mount Plate and Drill holes.



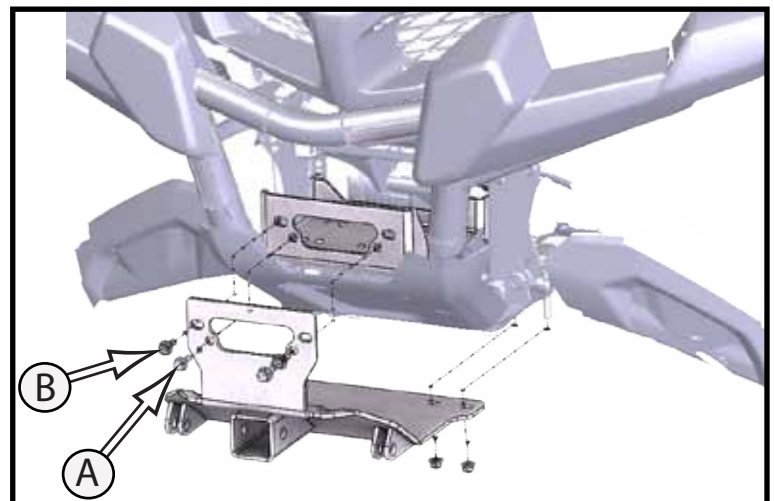
"Figure 1"



"Figure 2" Plow Mount Bolt Locations.

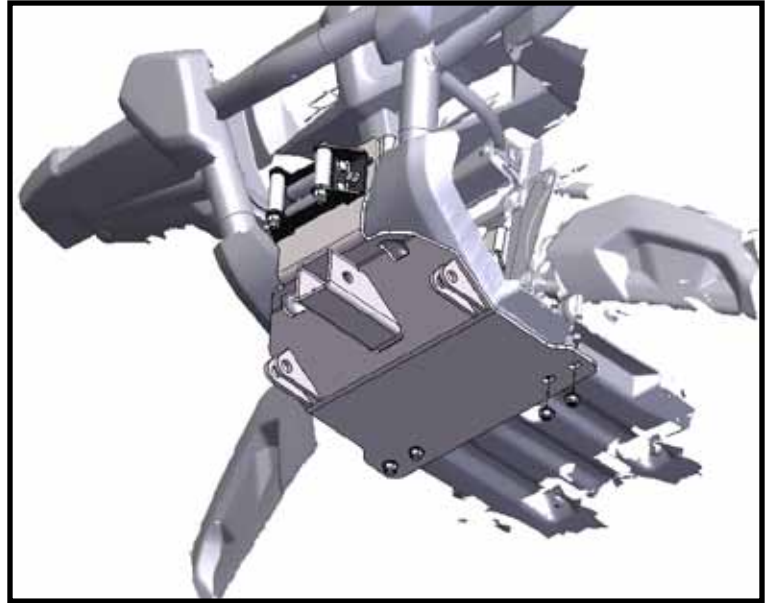


"Figure 4" Mount Plate Install

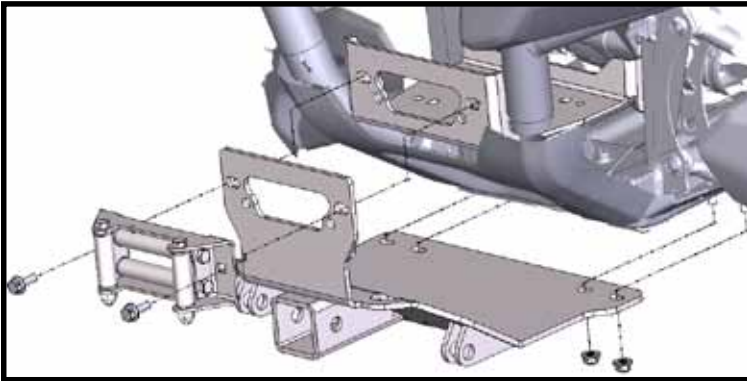


"Figure 3" Install to winch mount.

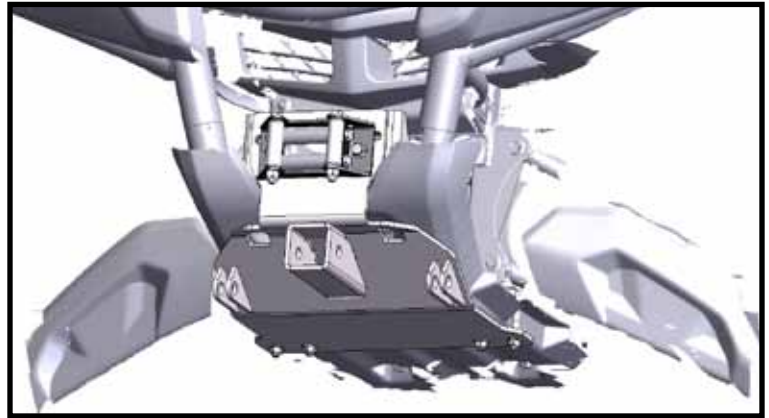
5. Repeat step 2 and reinstall the Plow Mount Plate and install the Roller Fairlead. See figure 5 & 6.
6. Install the U-bolts over the frame and through the holes you drilled. Secure using the 3/8" Flanged Nuts. See "Figure 7"
7. Tighten down all bolts.
8. See UTV Plow Tube System instruction manual for tube attachment.



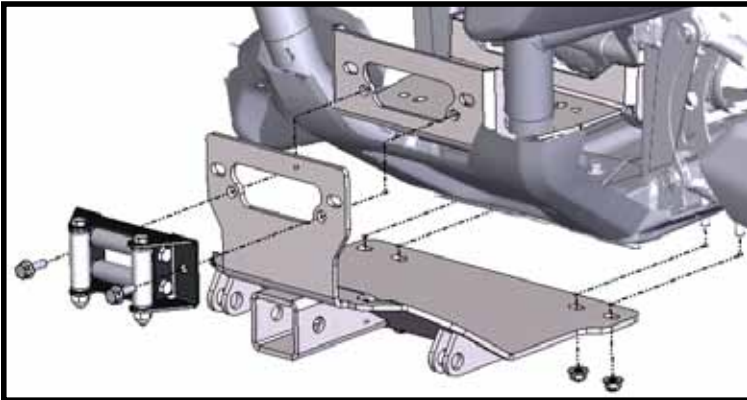
"Figure 7" U-bolt Install



"Figure 5" Wide Fairlead"



"Figure 8" Fully Installed



"Figure 6" Standard Fairlead"

