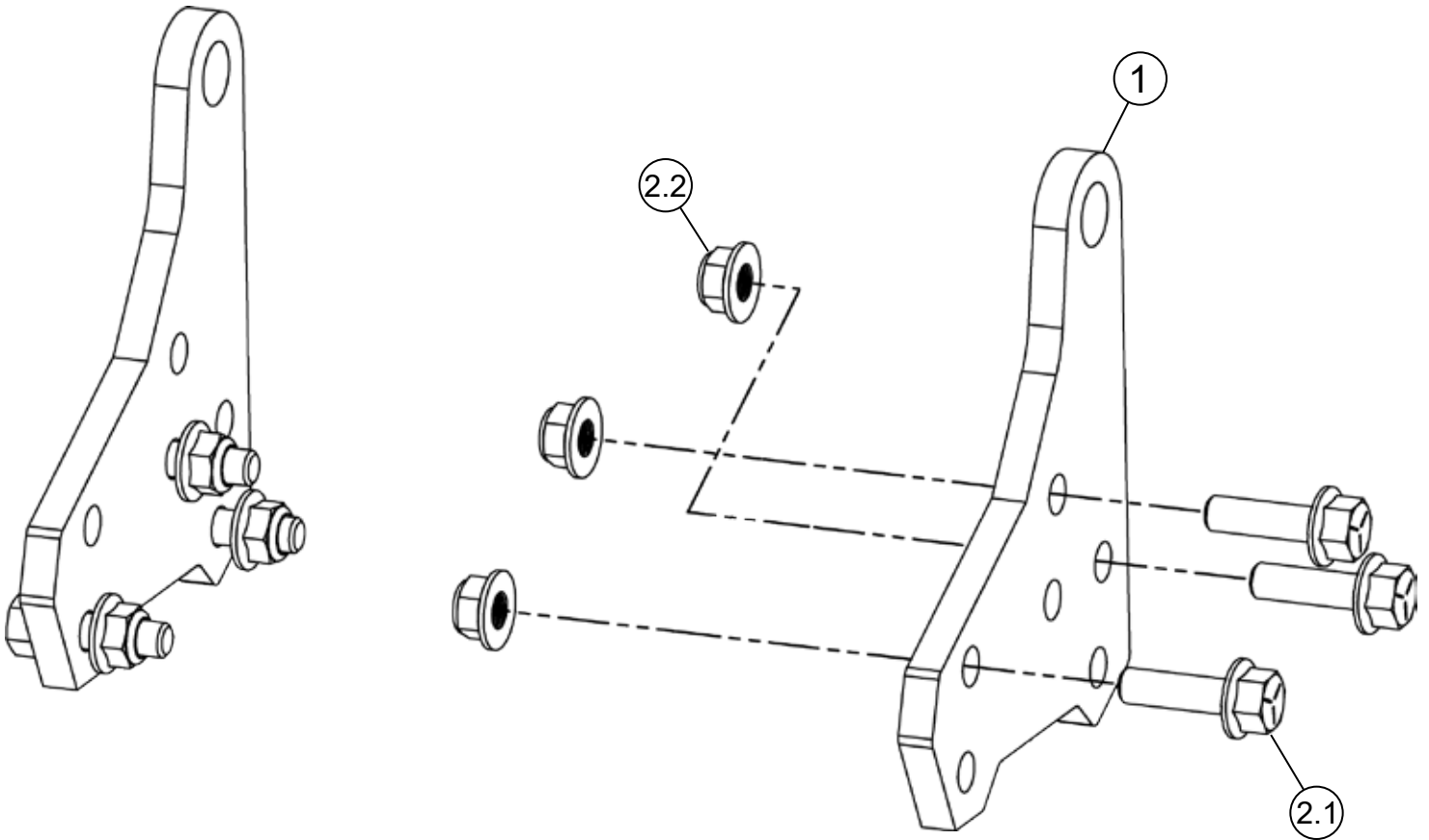


1"- 2" SQ PUSH TUBE LEVELING KIT

Plow Accessory

PART #106322

Kit Components:		
Item #	Qty.	Description
1	2	Leveling Tab
2	1	Hardware Kit (HK-398)
2.1	6	3/8"-16 x 1.25 Hex Flange Bolt
2.2	6	3/8"-16 Hex Flange Nylock Nut



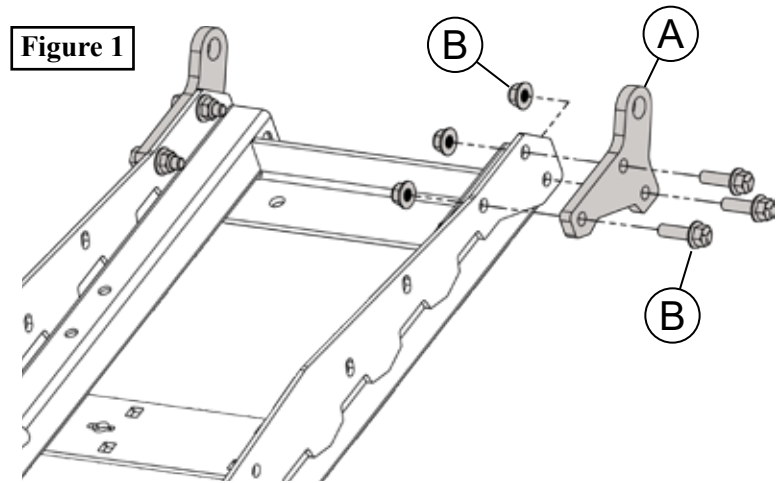
INSTALLATION INSTRUCTIONS

Note: Make sure all hardware needed to complete this mount is in the package. Thoroughly read through and understand the instructions before installing.

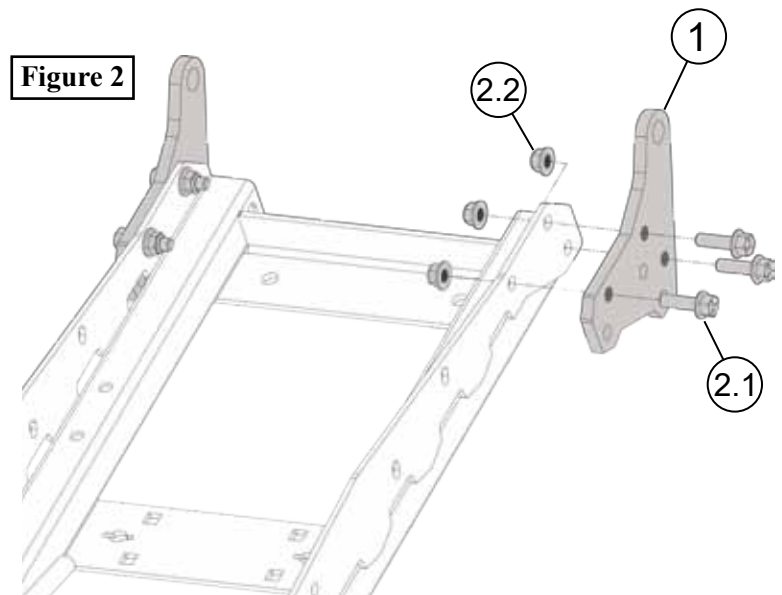
Note: If standard pin attachment brackets have not yet been installed, skip to step 2.

Note: The ideal pin height is 10.875". Use leveling kit configuration accordingly. (see figure 4) Be sure suspension is settled before measuring on flat level ground.

1. Remove and discard the existing standard pin attachment brackets (A) and hardware (B) as shown in **Figure 1**.



2. Set leveling tab (1) in place and secure using bolts (2.1) and nuts (2.2) as shown in **Figures 2 & 3**.



3. For the 1" leveling height configuration, see **Figure 2**. For the 2" leveling height configuration, see **Figure 3**.

4. Torque all hardware to **31 lb-ft**.

