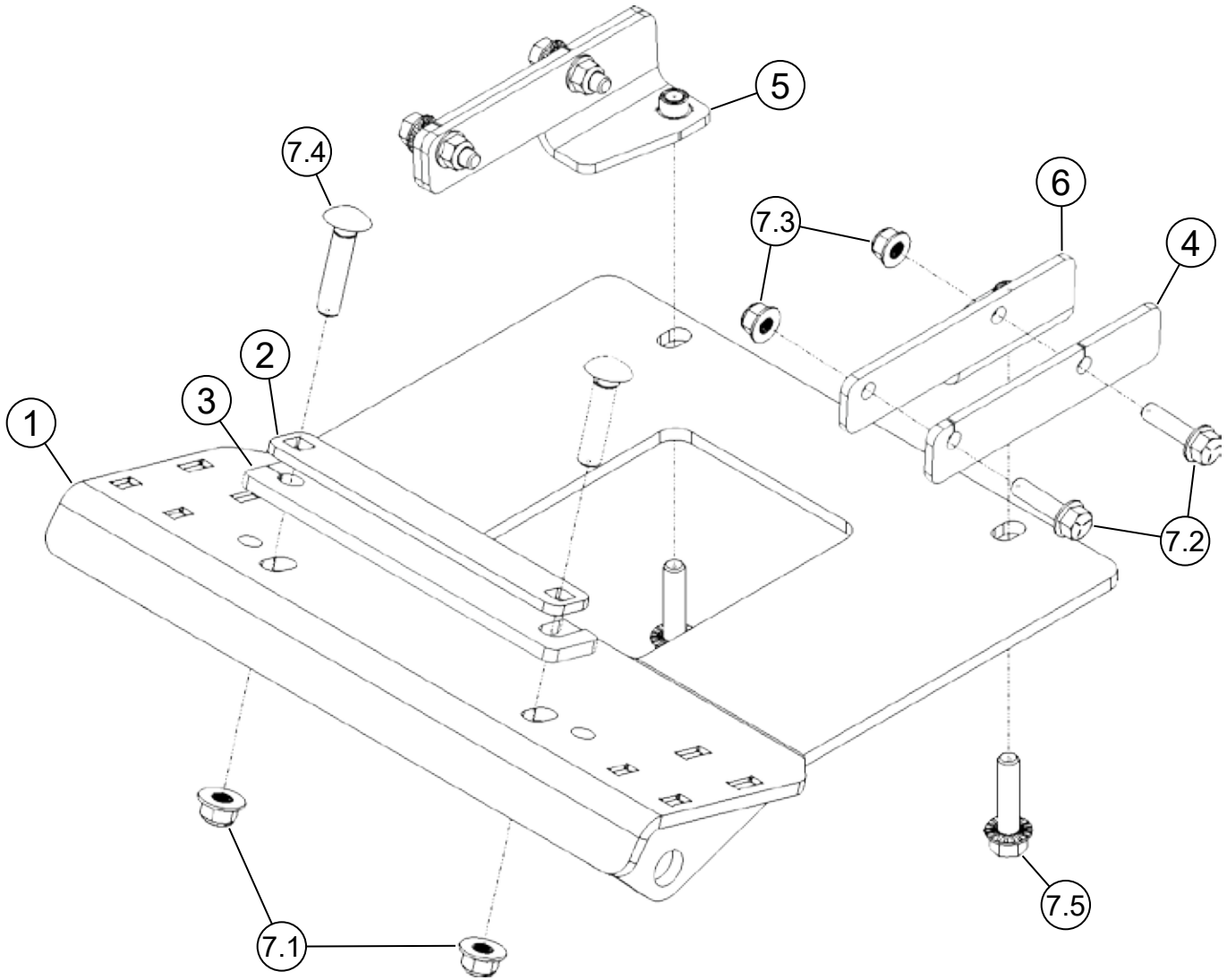


# YAMAHA RMAX

Plow Mount

PART #106240



Item #	Qty.	Description
1	1	Plow Mount
2	1	Nut Plate
3	1	Front Frame Spacer
4	1	Rear Frame Spacer
5	2	Mount Bracket (passenger side)
6	1	Mount Bracket (driver side)

Item #	Qty.	Description
7	1	Hardware Kit (HK-389)
7.1	2	3/8"-16 Hex Nut Flange
7.2	4	5/16"-18 x 1.25 Hex Bolt Flange
7.3	4	5/16"-18 Hex Nylock Nut Flange
7.4	2	3/8-16 x 1.75 Carraige Bolt
7.5	2	3/8-16 x 1.5 Hex Bolt Flange



# INSTALLATION INSTRUCTIONS

**Note:** Make sure all hardware needed to complete this mount is in the package. Thoroughly read through and understand the instructions before installing.

1. Remove the front portion of the skid plate on the machine by removing bolts (A & B) as shown in **Figure 1**. Set bolts aside as they will be reused.
2. Set plow mount (1) onto skid plate and insert bolts (7.1) into holes (B) positioning plow mount onto skid plate in the proper location as shown in **Figure 2**.
3. For a reference, measure 1 5/16" from bottom of plow mount (1) to the lower feature of the skid plate as shown in **Figure 2**.
4. Mark skid plate at holes (C) with a marker using plow mount (1) as a template as shown in **Figure 2**, remove plow mount (1) from skid plate and drill through the skid plate on the center of each of the four marks using a 1/2" drill bit. **NOTE:** Drilling a larger hole or slotting the hole may be needed for more adjustment in plow mount (1).
5. Set mount brackets (5&6) along with rear frame spacers (4) inside of frame and loosely secure to holes (D) in frame using bolts (7.2) and nuts (7.3) as shown in **Figures 3 & 4**. **NOTE:** Bolts will go through larger outside frame holes.
6. Set nut plate (2) in frame lining up holes in nut plate (2) with holes (E) in the frame as shown in **Figures 3 & 4**.

