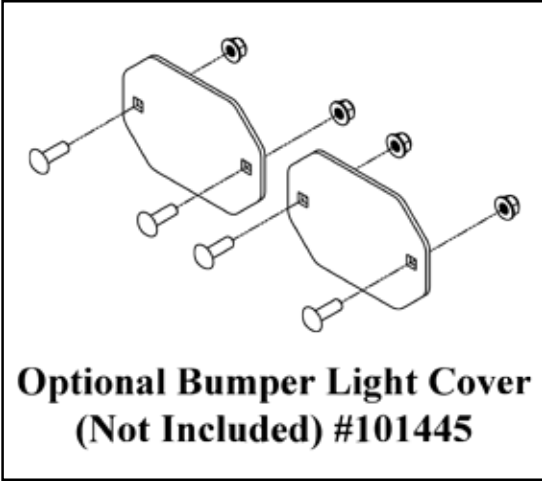
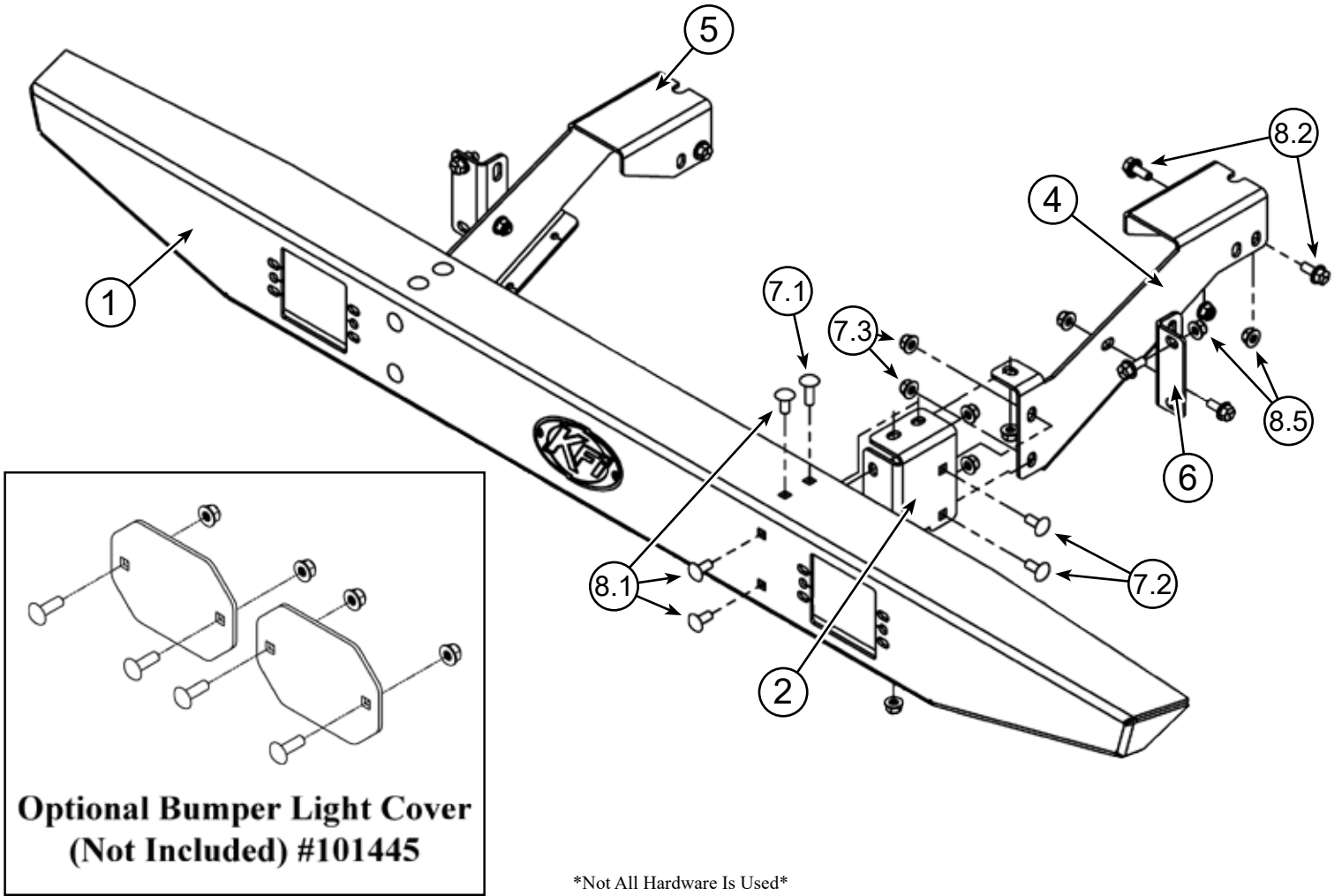


FULLSIZE RANGER

Rear Bumper

PART #101540



Not All Hardware Is Used

Kit Components:

| Item # | Qty. | Description | Item # | Qty. | Description |
|--------|------|--|--------|------|---|
| 1 | 1 | Rear Bumper Formed Fullsize Ranger | 7.2 | 4 | 5/16"-18 x .75 Carriage Bolt Short Neck GR5 |
| 2 | 1 | Passenger Side Conversion Bracket | 7.3 | 6 | 5/16"-18 Hex Nut Flange Nylock GR5 |
| 3 | 1 | Driver Side Conversion Bracket (Not Shown) | 8 | 1 | Hardware Kit HK-343 |
| 4 | 1 | Passenger Side Bumper Bracket | 8.1 | 6 | 5/16"-18 x .75 Carriage Bolt Short Neck GR5 Black |
| 5 | 1 | Driver Side Bumper Bracket | 8.2 | 8 | 5/16"-18 x .75 Hex Bolt Flange GR5 Serr. |
| 6 | 2 | Bumper Hanger XP 900 | 8.3 | 2 | 5/16"-18 x .75 Thread Cutting - Not Used |
| 7 | 1 | Hardware Kit HK-342 | 8.4 | 2 | 1/4"-20 x .75 Thread Cutting - Not Used |
| 7.1 | 2 | 5/16"-18 x 1.00 Carriage Bolt Short Neck GR5 Black | 8.5 | 14 | 5/16"-18 Hex Nut Flange Nylock GR5 |



INSTALLATION INSTRUCTIONS

Note: Make sure all hardware needed to complete this mount is in the package. Thoroughly read through and understand the instructions before installing.

1. Each step must be mirrored on both sides of the machine.
2. Hold the Passenger Side Bumper Bracket (4) in place outside the bed hinge and use bolts (8.2) and nuts (8.5) to bolt the bracket to the bed hinge as shown in the **Figure 1**. Repeat this step for the Driver Side Bumper Bracket (5). Use 2 bolts per side.
3. Once both Bumper Brackets are in place, use a hanger bracket (6) on each side of the machine to secure the rear portion of the Bumper Bracket using bolts (8.2) and nuts (8.5). See **Figure 1**.

Note: Pay attention to the wires near these brackets. Make sure that they don't get damaged during installation.

4. To assemble the bumper, locate the Formed Bumper (1) and Conversion Brackets (2 & 3). Install the Conversion Brackets onto the inside of the Formed Bumper with 3 black carriage bolts (8.1) and lock nuts (7.3) per side as shown at the top of **Figure 2**.
5. Set the Bumper Assembly onto the Bumper Brackets (4 & 5) and secure using bolts (7.1 & 7.2) and nuts (8.5) as shown in the bottom of **Figure 2**.

6. Level bumper and tighten all hardware evenly.

Note: The zip tie locations (Figure 2) can be used to secure the wires for cube lights.

