

YAMAHA WOLVERINE X4

Rear Bumper

PART #101650

Kit Components:		
Item #	Qty.	Description
1	1	Rear Bumper
2	1	Driver Side Bumper Bracket
3	1	Passenger Side Bumper Bracket
4	4	Bumper Tube Cap
5	1	HK-333
5.1	4	5/16"-18 x 1.00 Hex Flange Bolt
5.2	6	5/16"-18 x .75 Carriage Bolt (Black)
5.3	10	5/16"-18 Hex Flange Nylock Nut

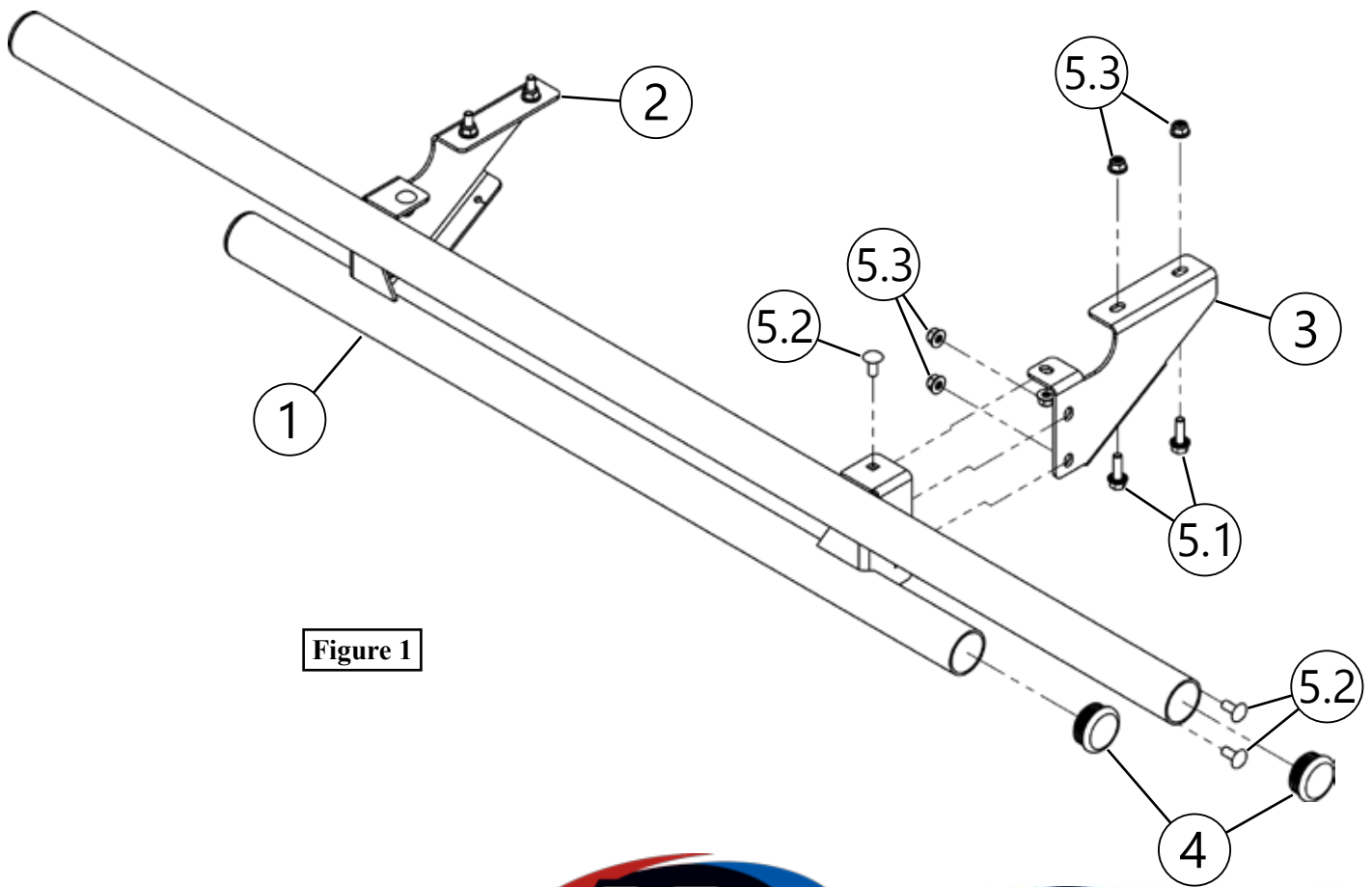


Figure 1



INSTALLATION INSTRUCTIONS

Note: Make sure all hardware needed to complete this mount is in the package. Thoroughly read through and understand the instructions before installing.

Note: Each step is for the passenger side of the machine. Repeat each step for driver side.

1. Assemble bumper tube caps (4) to rear bumper (1) as shown in **Figure 1**.
2. Hold bumper bracket (3) in place and secure to bed frame tube using bolts (5.1) and nuts (5.3) as shown in **Figure 2 & 3**.
3. Set rear bumper (1) onto bumper brackets (2 & 3) as shown in **Figure 4 & 5** and secure using bolts (5.2) and nuts (5.3).
4. Level bumper and tighten all hardware evenly.

