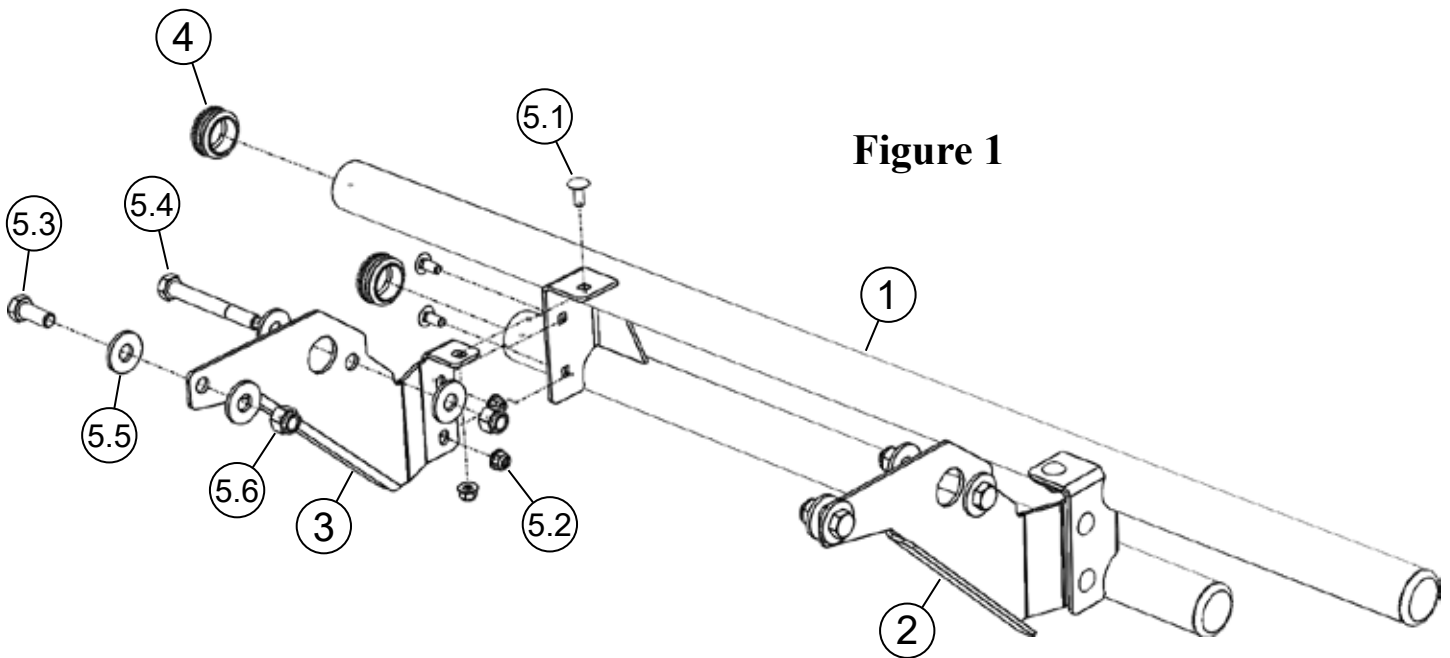


HONDA PIONEER 520

Rear Bumper

PART #101935

Kit Components:		
Item #	Qty.	Description
1	1	Bumper
2	1	Driver Side Bumper Bracket
3	1	Passenger Side Bumper Bracket
4	4	Bumper Tube Cap
5	1	Hardware Kit (HK-405)
5.1	6	5/16"-18 X .75 Carriage Bolt BLK
5.2	6	5/16"-18 Hex Flange Nylock Nut
5.3	2	1/2"-13 X 1.25 Hex Bolt
5.4	2	1/2"-13 X 4.00 Hex Bolt
5.5	8	1/2" Flat Washer
5.6	4	1/2"-13 Hex Nylock Nut



INSTALLATION INSTRUCTIONS

Note: Make sure all hardware needed to complete this mount is in the package. Thoroughly read through and understand the instructions before installing.

1. Assemble bumper tube caps (4) as shown in **Figure 1**.
2. Remove hardware (A) from box hinge as shown in **Figure 2**. Remove wire harness clip (B) from box frame as shown in **Figure 2**. **NOTE:** there will be a wiring harness clip (B) on both passenger and driver side box frame.
3. Slide bumper bracket (3) between the box hinge and wiring harness. Secure the rear of the bumper bracket using bolt (5.4), washers (5.5) and nut (5.6) and the front of the bumper bracket using bolt (5.3), washers (5.5) and nut (5.6) as shown in **Figure 3**. **NOTE:** passenger side shown, repeat step 3 for driver side.
4. Re attach wire harness clip (B) to the box frame.
5. Secure bumper (1) to bumper brackets using bolts (5.2) and nuts (5.3) as shown in **Figure 4**.
6. Tighten all hardware evenly.

