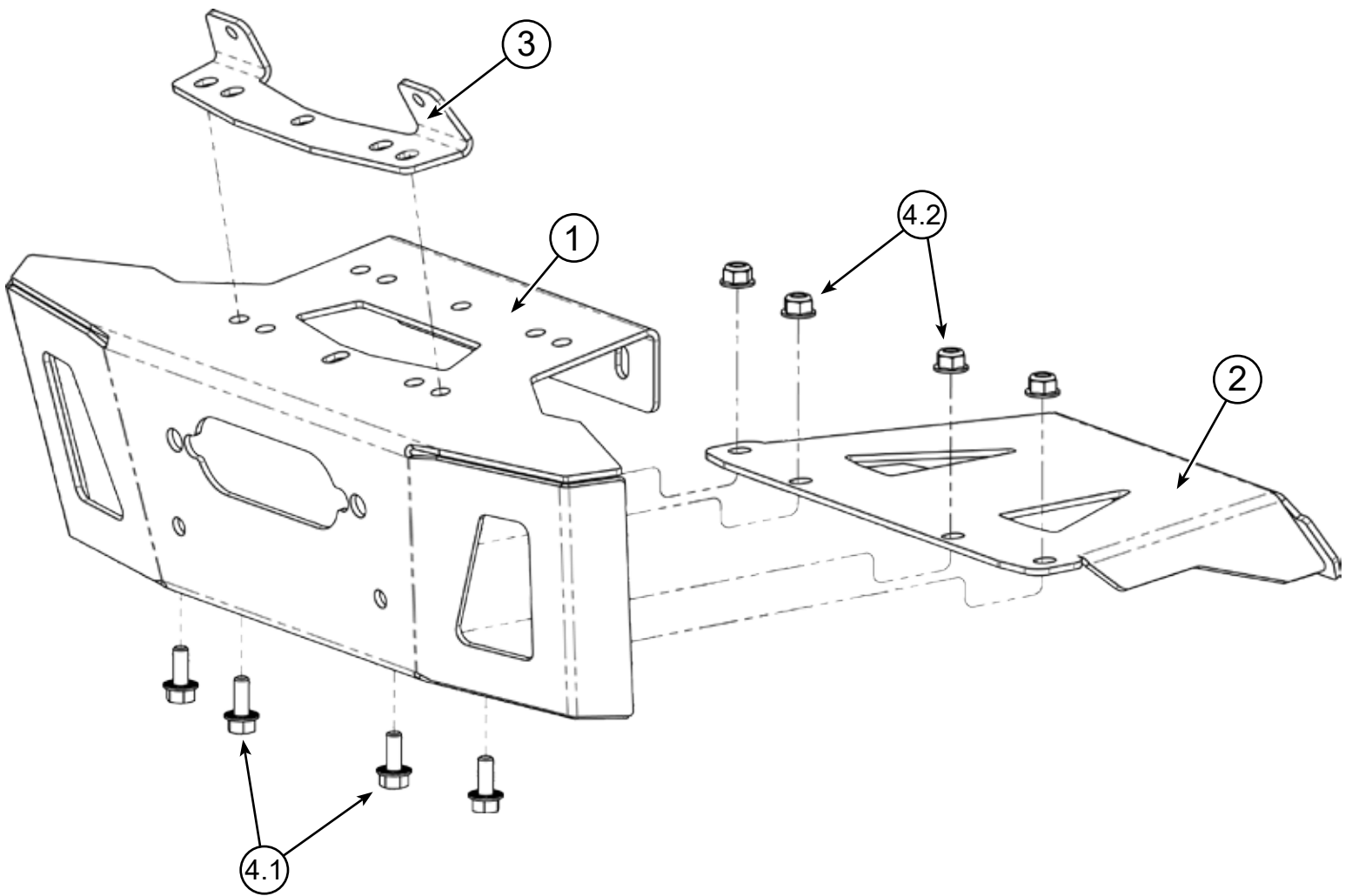


# POLARIS RZR XP (4) 1000

Winch Mount

PART #102100 Rev A



## Kit Components:

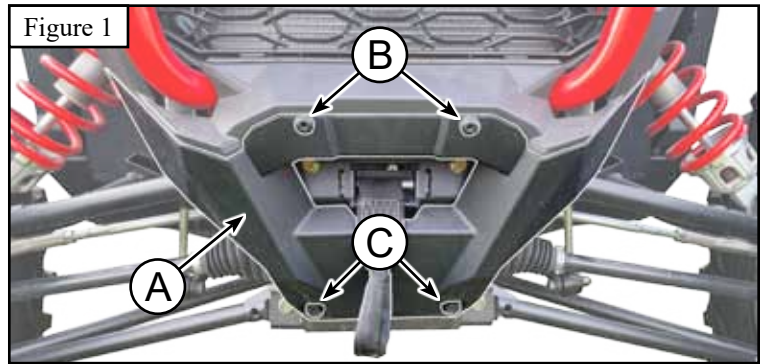
Item #	Qty.	Description	Item #	Qty.	Description
1	1	Winch Mount (102104)	4	1	Hardware Kit HK-439
2	1	Lower Support (102107)	4.1	4	5/16"-18 X .75" Hex Bolt Flange Black Serr. GR5
3	1	Trim Support (102102)	4.2	4	5/16"-18 Hex Nut Flange Nylock GR5



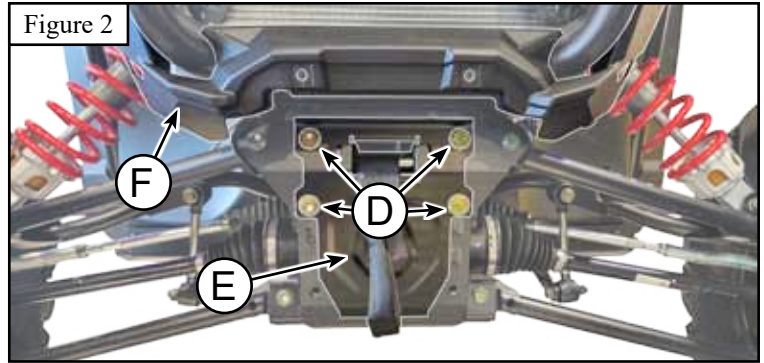
# INSTALLATION INSTRUCTIONS

**Note:** Make sure all hardware needed to complete this mount is in the package. Thoroughly read through and understand the instructions before installing.

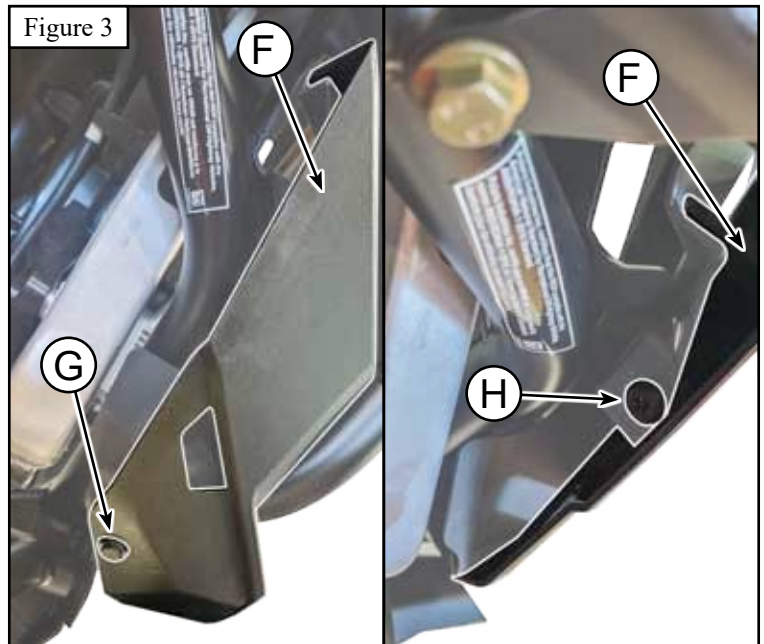
1. Remove the 2 Torx Screws (B) and 2 Flanged Bolts (C). Set these components aside as they will be reused. Remove the Front Fascia (A) and discard. See **Figure 1**.



2. Remove 4 Flanged Bolts (D) and Tow Strap Bracket (E). 2 of the Flanged Bolts (D) will be reused. Discard 2x Bolts (D) and Tow Strap Bracket (E). See **Figure 2**.



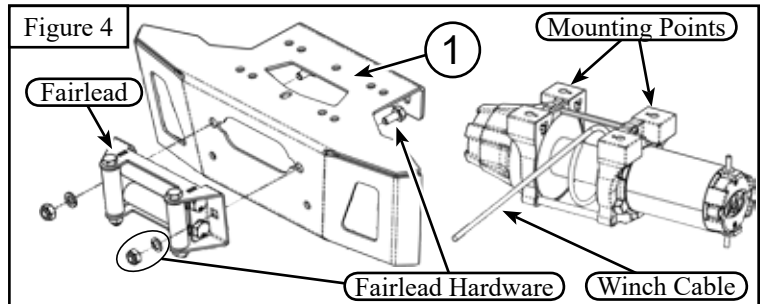
3. Locate the Upper Fascia (F) shown in **Figure 2**. Remove the Side Pins (G) and Rear Torx Screws (H) from the driver and passenger side of the Upper Fascia (F) as shown in **Figure 3**. Remove the Upper Fascia (F) and set components aside for later.



4. Install the Fairlead on the Winch Mount, using the hardware provided with your winch as shown in **Figure 4**.

5. Using the 2 Flanged Bolts (D), set aside from **Step 2**, secure the Winch Mount (1) to the machine between the upper A-Arms as shown in **Figure 5 (Next Page)**. Ensure Mount (1) is level and tighten Bolts (D) evenly.

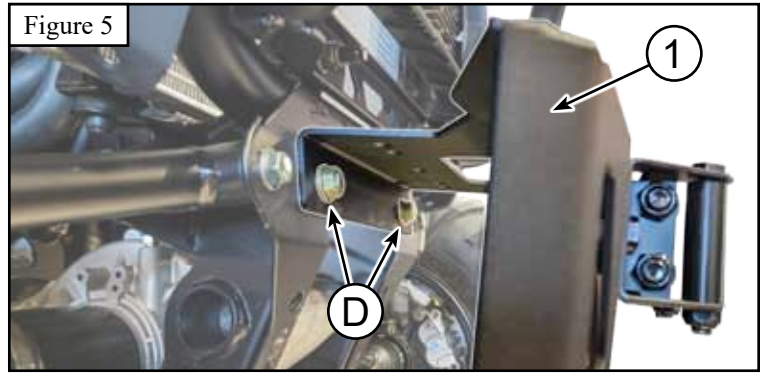
6. Engage freespool according to your winches instructions and let a couple feet of cable out from the winch. Feed it through the fairlead before mounting the winch. The cable should spool off the winch from the side of the 4 main mounting points as shown in **Figure 4**.



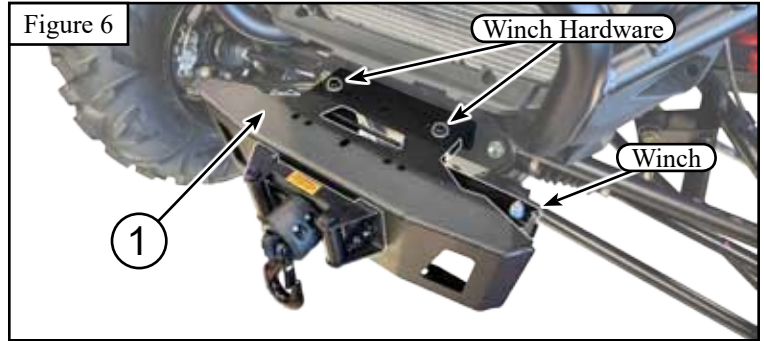
# INSTALLATION INSTRUCTIONS

7. Install the winch onto the Winch Mount (1) using only the rear-most mounting holes as shown in **Figure 6**. Ensure the front holes are aligned before tightening rear bolts according to your winch specifications.

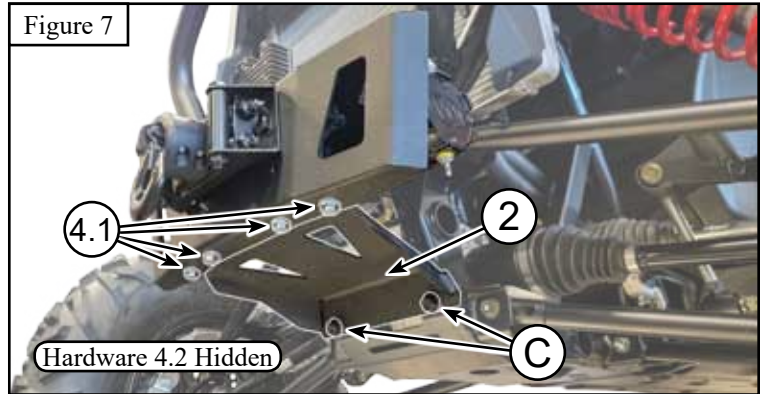
Note: The winch is mounted upside-down with the motor on the Driver's Side of the machine.



8. Loosely install Support Bracket (2) to the machine with 2 Flanged Bolts (C) removed in step 1. Use hardware (4.1 & 4.2) to attach the bracket (2) inside of the Winch Mount (1) as shown in **Figure 7**.

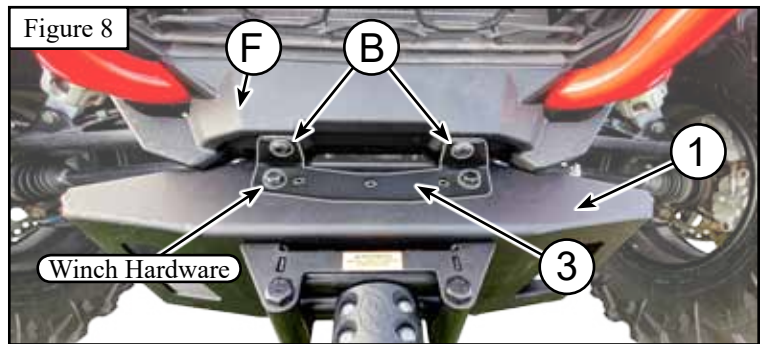


9. After hardware is installed, fully tighten the Flanged Bolts (C), then Hardware (4.1 & 4.2) as shown in **Figure 7**.



10. Reinstall the Upper Fascia (F) using the Side Pins (G) and Rear Torx Screws (H) removed in step 3. See **Figures 2 and 3**.

11. Install Hardware (B), removed in step 1, through the trim support and into the original bolt locations. See **Figures 1 & 8**.



12. Place Trim Support (3) above the Winch Mount (1) as shown in **Figure 8**. Use the winch hardware through the trim support (3), Winch Mount (1), and into the winch. Tighten according to the winch specs.

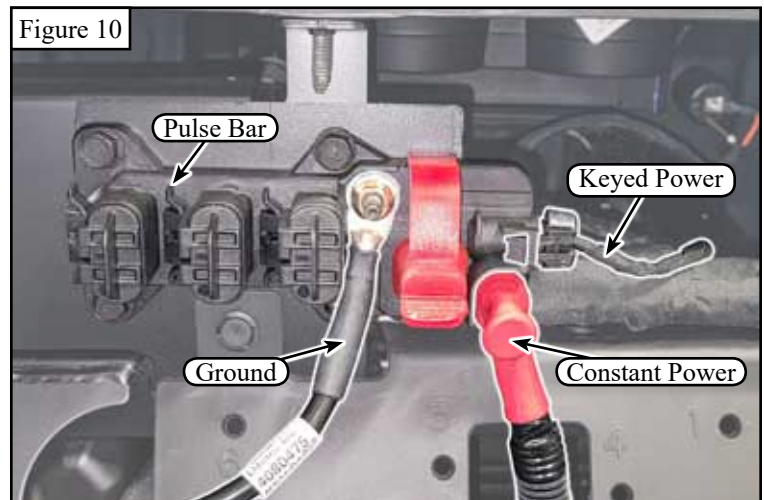
# WIRING INSTRUCTIONS

## Wiring Information

- The contactor can be attached in the front, passengers side, inner fender, where the oem location can be found as shown in **Figure 9**. We would recommend putting it out of the weather though. Such as, under the hood near the pulse bar.



- Connect your main red and black power wire for your winch, from your contactor, to the terminals **FEEDING** the Pulse Bar as shown in **Figure 10**.



- Connect the **RED SIGNAL WIRE** from your rocker switch to the Keyed Power controlling the Pulse Bar. Confirm it is Keyed Power with a test light or multimeter. See **Figure 10**.

- The **RED SIGNAL WIRE** for the rocker switch could also be attached to the middle wire of a polaris plug designed for the Pulse Bar (Blue, Middle Wire on the KFI 101505) as shown in **Figure 11**.

