

Suzuki King Quad 400

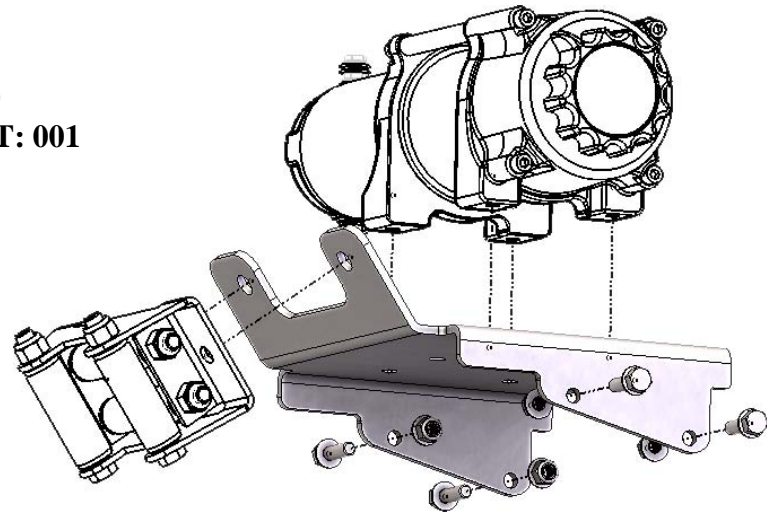
Winch Mount

PART # 100680

Kit Components:

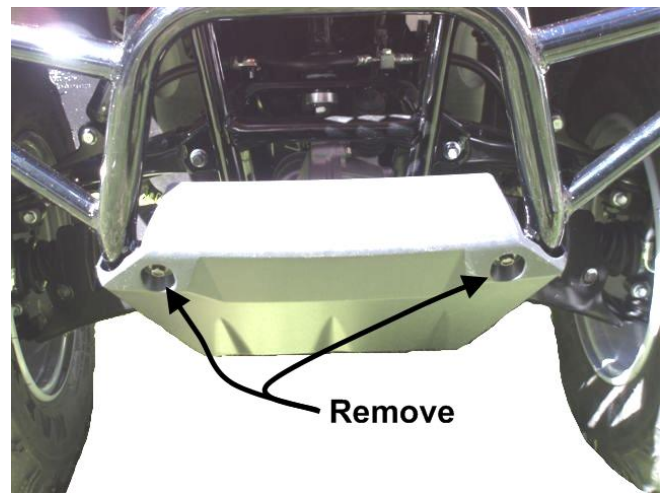
HARDWARE KIT: 001

<u>Qty</u>	<u>Part Description</u>
1.....	Winch Mount
4.....	5/16-18 x 1.00" HH Flanged Bolt
4.....	5/16-18 Nylock Flange Nuts

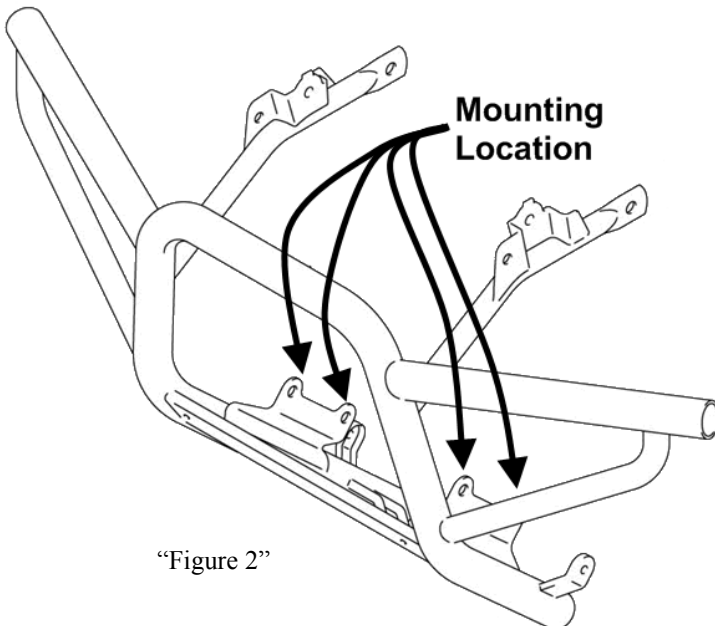


INSTALLATION INSTRUCTIONS:

1. Begin by removing the two bolts shown in Figure 1 and lower the front plastic fascia to gain access to the winch mounting location
2. Place mounting plate into location shown in Figure 2 and attach using the supplied 5/16" hardware.
3. Assemble your winch and the Fairlead to the mounting plate using the hardware that was supplied with your winch.
4. Re-install plastic fascia that was removed.
5. Using the instructions provided with your winch, wire accordingly.



"Figure 1"



"Figure 2"

