

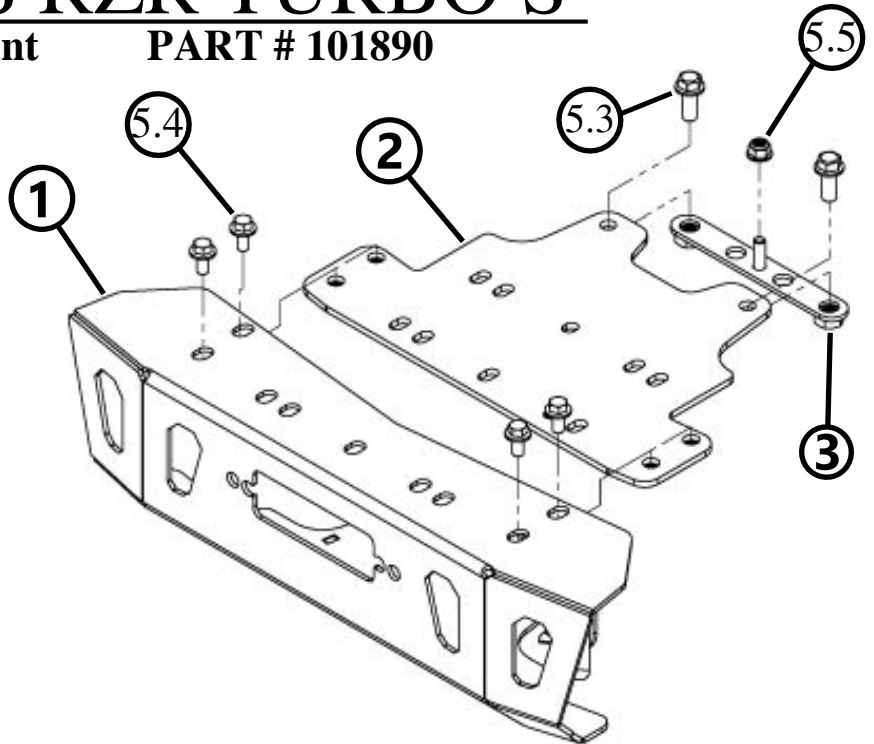
POLARIS RZR TURBO S

Winch Mount

PART # 101890

Kit Components:

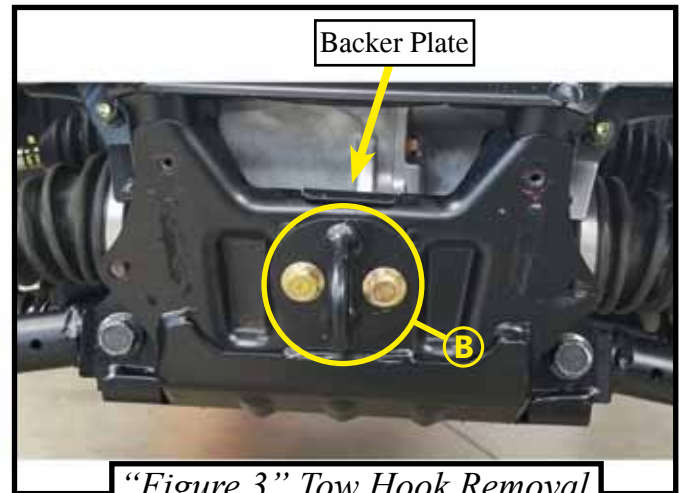
Item #	Qty.	Description
1	1	Winch Mount
2	1	Support Bracket
3	1	Bolt Plate
4	1	HK-031 (UTV Mini Rocker Kit)
5	1	HK-190 (Winch Mount Hardware Kit)
5.1	3	3/8"-16 x 1.00 Hex Bolt Flange
5.2	3	3/8"-16 Hex Nut Flange Nylock
5.3	2	M10-1.50 x 25 Hex Bolt Flange
5.4	4	M8-1.25 x 16 Hex Bolt Flange
5.5	1	5/16"-18 Hex Nut Flange Nylock



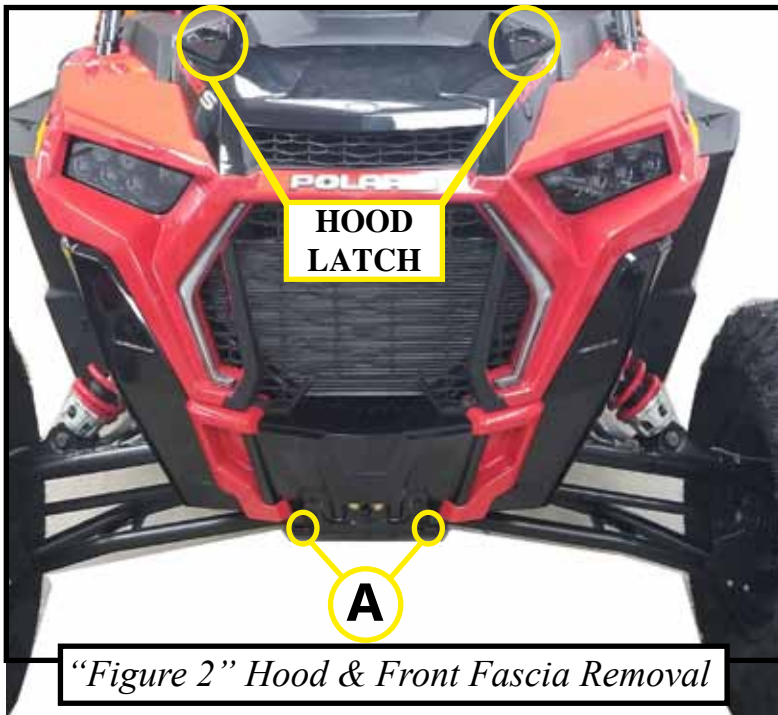
"Figure 1"

INSTALLATION INSTRUCTIONS:

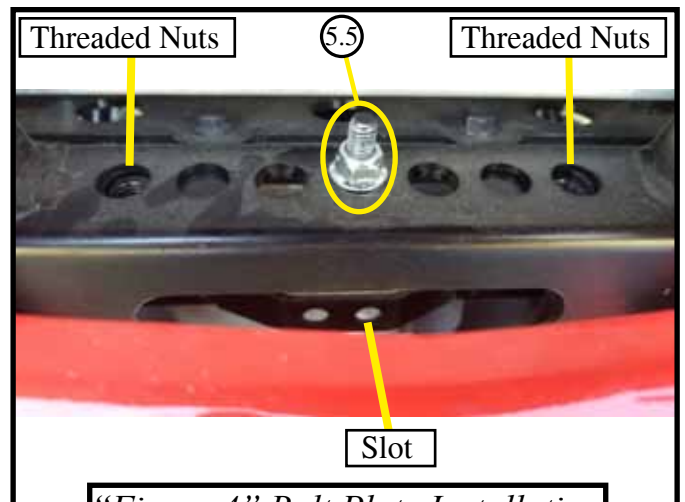
1. Remove the hood using the two hood latches. Shown in [Figure 2](#).
2. Detach front fascia by removing the 2 Torx Bolts (A). Shown in [Figure 2](#). Discard fascia.
3. Remove tow hook (B) shown in [Figure 3](#) save hardware to reinstall later and discard the tow hook. **NOTE:** Tape the backer plate to keep it from falling down.
4. Place bolt plate (4) through slot in frame and use one 5/16" nut (5.5) to secure. Make sure threaded nuts are centered in the holes. [Figure 4](#)



"Figure 3" Tow Hook Removal



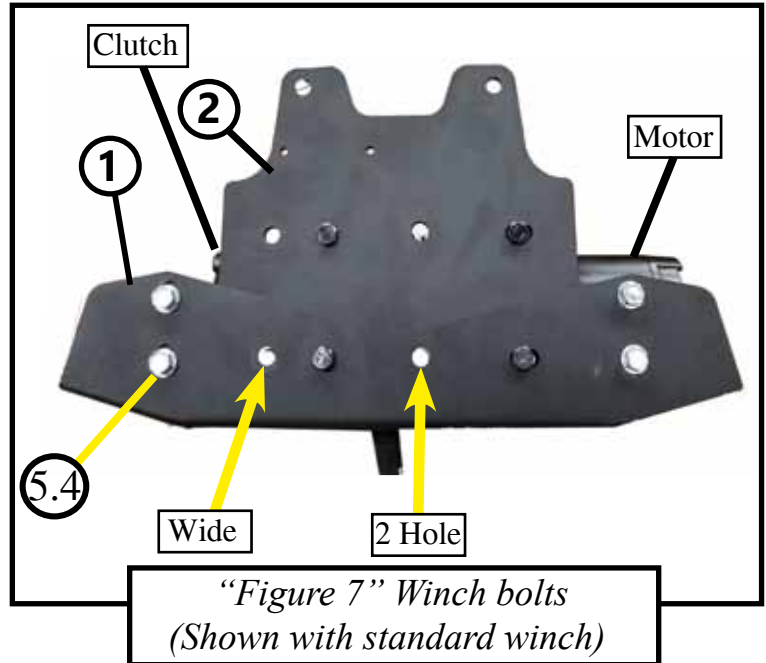
"Figure 2" Hood & Front Fascia Removal



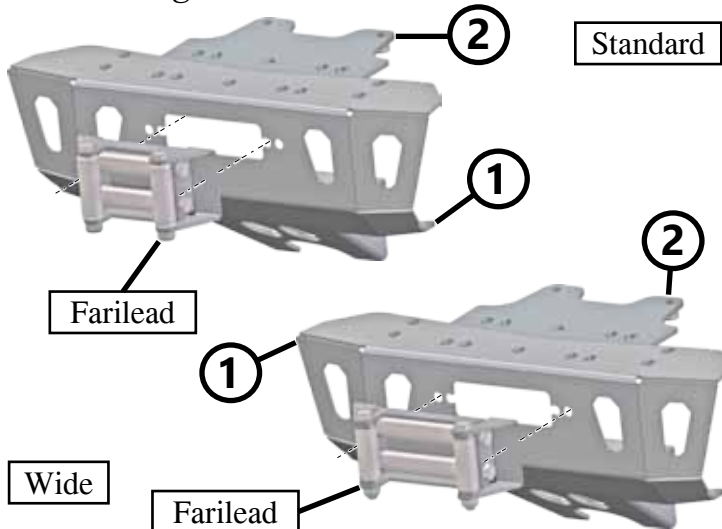
"Figure 4" Bolt Plate Installation

5. This mount comes with a wide fairlead opening. If you have a standard or 2 hole winch you will need to install the wide to standard adapter plate (3) [Figure 5](#) . If you have a wide winch you will not need the standard adapter plate (3). Mount roller/hawse fairlead to bumper according to your winch manual. [Figure 1&5](#)
6. Loosely bolt support bracket (2) and winch mount (1) together with four M8 bolts (5.4). [Figure 1, 5 & 7](#)
7. Install your winch upside down to the winch mount (1) using the hardware provided with your winch. [Figure 6,7](#) shows a standard winch bolt pattern 3"x 4 7/8". Use the outside set of holes for a wide winch 3"x 6.60" and the center set of holes for a 2 hole winch. Motor will be on the drivers side with clutch on the passenger side.
8. Install winch and winch mount assembly (1) & (2) to bolt plate (4) installed in step 4 using the two included M10 Hex Bolts (5.3) [Figure 8](#)

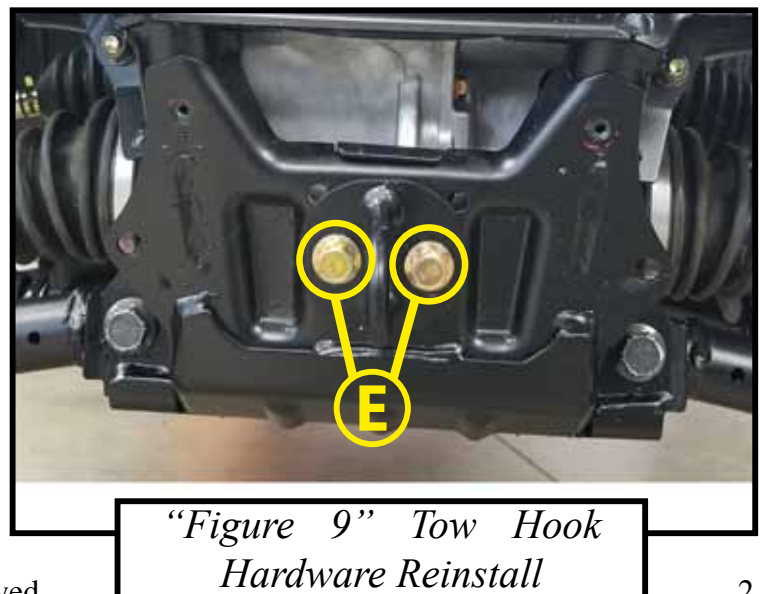
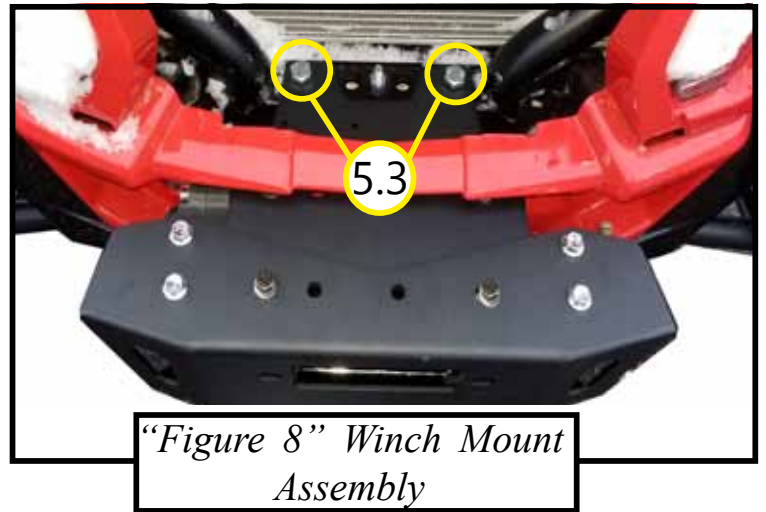
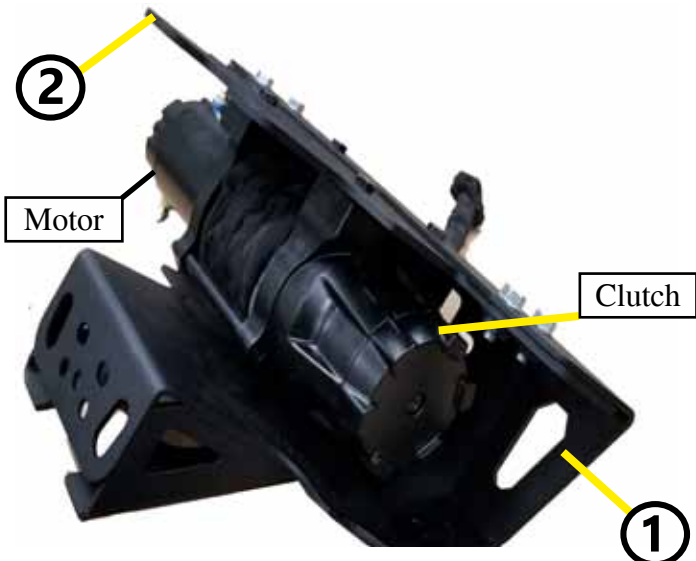
9. Reinstall tow hook hardware (E) removed from step 3 [Figure 9](#)
10. Tighten all hardware



"Figure 5" Fairlead installation



"Figure 6" Winch installation



WIRING INFORMATION

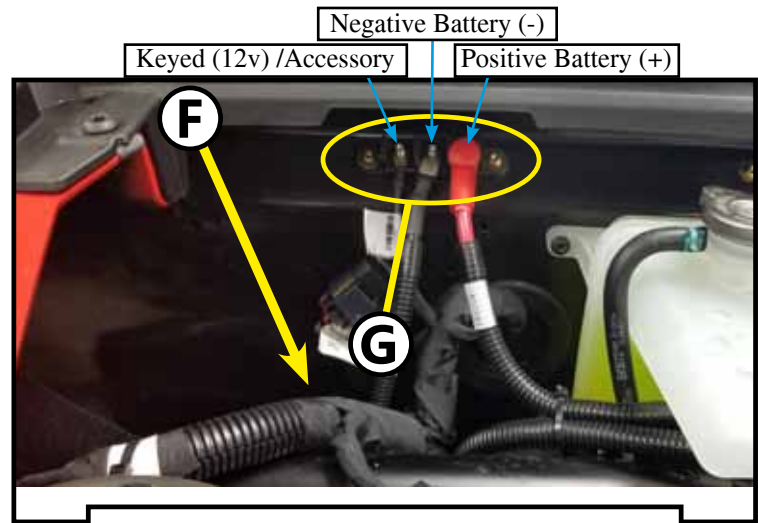
1. For power location (G) please see [Figure 10](#). The contactor will mount below arrow (F) in [Figure 10](#) on this machine. You will see four formed holes on the fire wall.
2. Wire your winch per your winch installation instruction.
3. Route winch switch wiring from contactor to the switch panel (H). Please see winch owners manual wiring instruction for dash rocker or mini rocker.



CAUTION

When installing your switch in the dash panel, use dash rocker switch as template as some machines have larger switch templates.

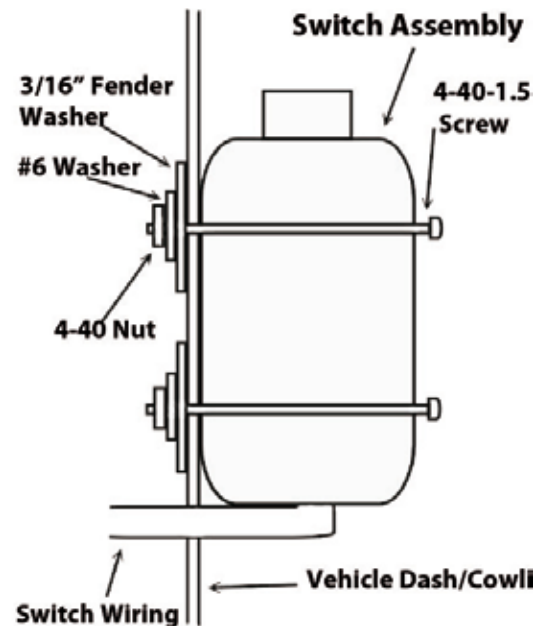
4. Mini-Rocker Switch Hardware Kit (HK-31). This allows you to mount your usual handle bar mounted switch to almost any desired location.
 - a. Remove handlebar mount hardware from the switch.
 - b. Locate desired mounting location.
 - c. Mark and drill two switch holes through dash using switch housing as a template.
 - d. Drill a 3rd hole for the switch wiring.
 - e. Assemble per figure 12 using HK-031 hardware.
5. Find a location that suits your purposes for the mini rocker switch and hand remote.



“Figure 10” Power & Ground Under hood



“Figure 11” Switch Panel



“Figure 12” Mini-Rocker Mounting