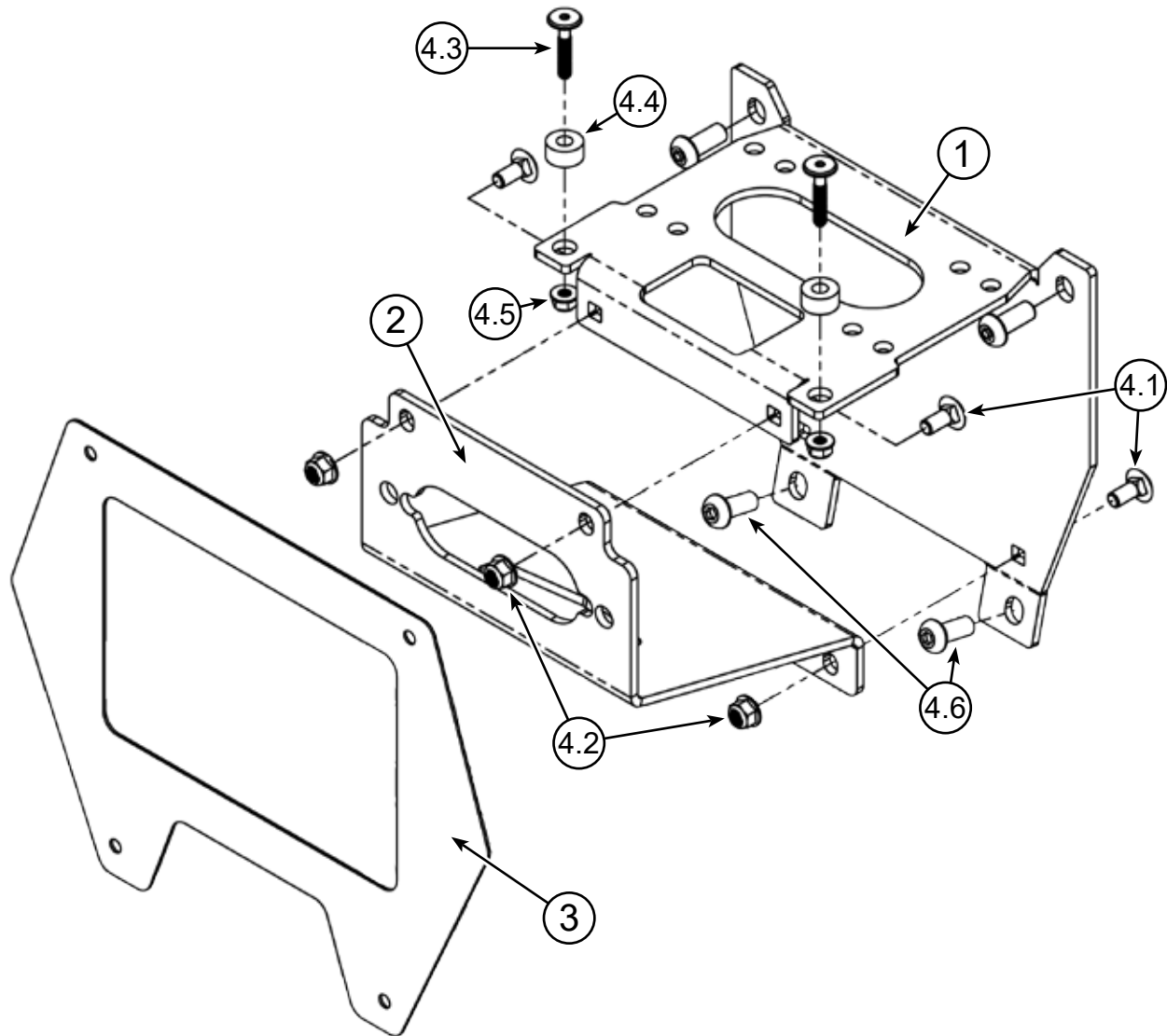


# RZR PRO R / TURBO R

Winch Mount PART #102050



## Kit Components:

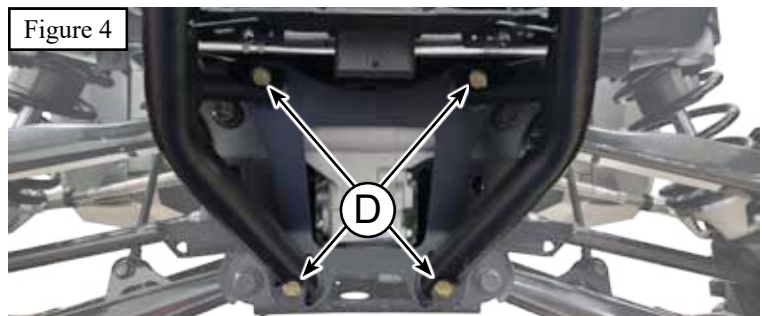
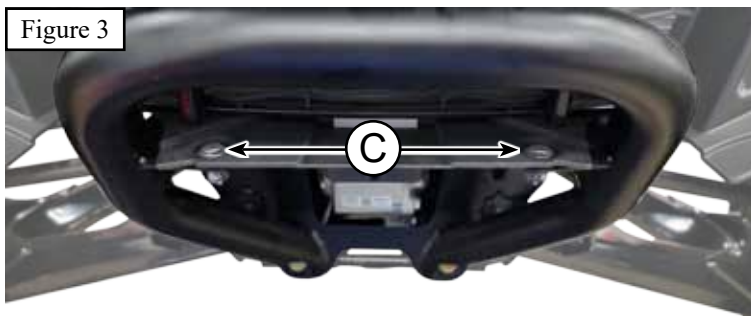
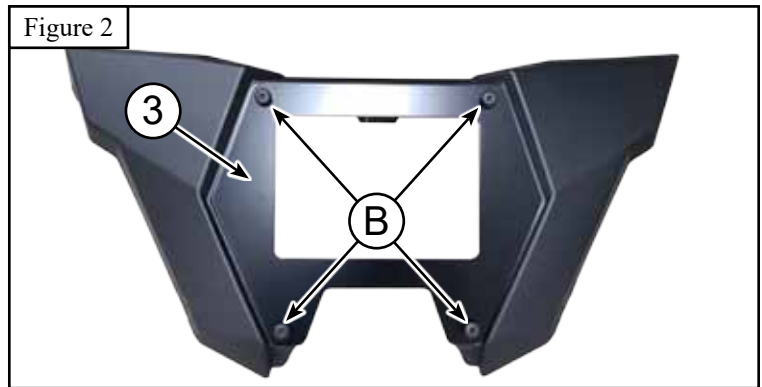
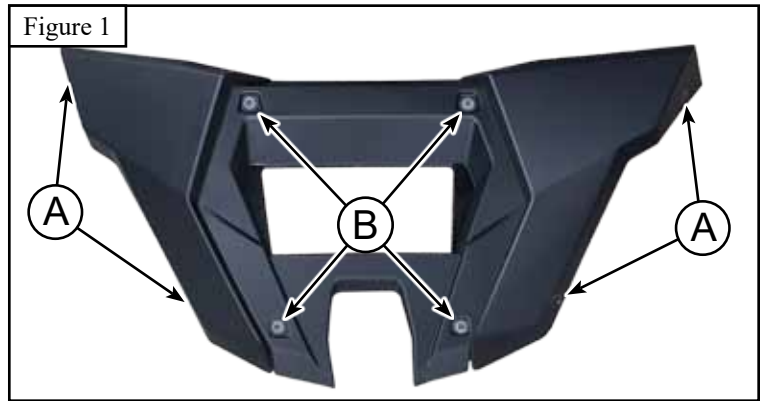
Item #	Qty.	Description	Item #	Qty.	Description
1	1	Winch Mount	4.2	4	5/16"-18 Hex Nut Flange Nylock GR5
2	1	Fairlead Mount	4.3	2	1/4"-20 X 1.38" Binding Head Screw
3	1	RZR Grill	4.4	2	Nylon Spacer .625" OD X .32" ID X .38" Long
4	1	HK-426	4.5	2	1/4"-20 Hex Nut Flanged Nylock GR5
4.1	4	5/16"-18 X .75" Carriage Bolt GR5	4.6	4	M10-1.50 X 20 Button Head Cap Screw GR10.9



# INSTALLATION INSTRUCTIONS

**Note:** Make sure all hardware needed to complete this mount is in the package. Thoroughly read through and understand the instructions before installing.

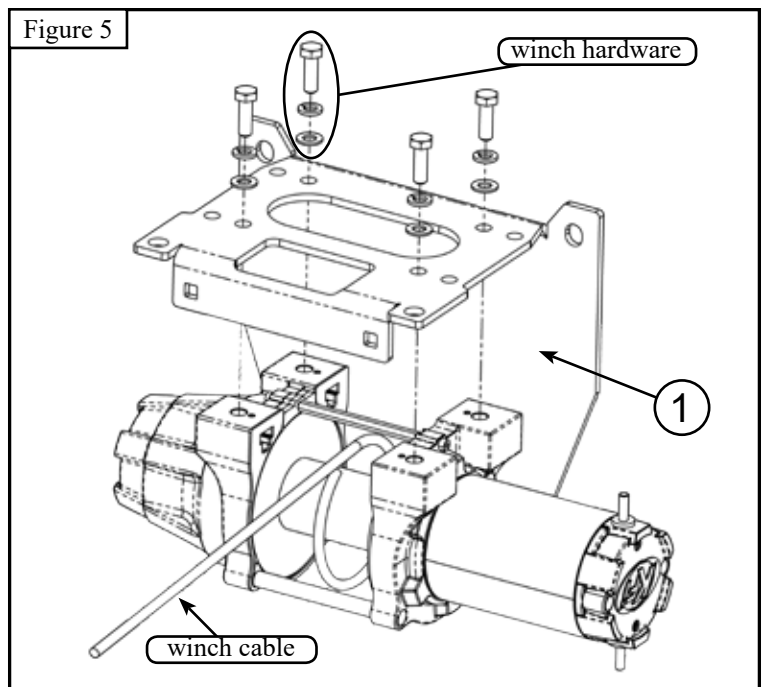
1. Remove the 2 bolts (A) from each side of the main front fascia, as shown in Figure 1. Remove the fascia from the machine.
2. Remove the 4 bolts (B) that hold the center grill in place as shown in Figure 1. Once all 4 bolts are removed, swap the stock grill with the RZR Grill (3) as shown in Figure 2. Secure the new grill with the same 4 bolts (B).
3. Set the main fascia and hardware (A) aside, as they will be used later in this manual.
4. Remove the 2 plastic clips (C) from the top tabs of the bull bar as shown in Figure 3. These clips will not be reused.



5. Remove the 4 bolts (D) that secure the bull bar to the frame as shown in Figure 4. The bull bar and hardware used to secure it will not be reused.

*Note: Before installing the winch mount, It is easiest to install the winch now while you can tighten the winch bolts easily. Use the torque specs specified by the winch manual as overtightening these bolts can damage the winch.*

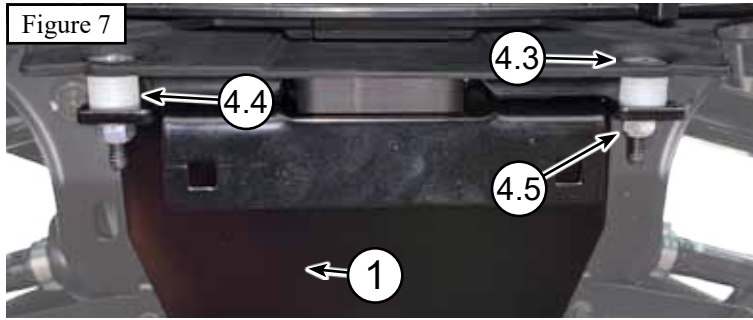
6. Install your winch on winch mount (1), using the hardware provided with your winch. Note the orientation of the cable coming off of the winch and ensure that the orientation of your winch is the same as in Figure 5.



# INSTALLATION INSTRUCTIONS

*Note: The winch will not be shown in the mount until the final steps of the installation so the mounting hardware can be shown and identified correctly.*

7. Insert 2 carriage bolts (4.1) into the lower holes of the winch mount (1) from the back side before installing the mount onto the machine using 4 bolts (4.6) as shown in Figure 6.
8. Insert the nylon spacers (4.4) between mount (1) and the upper fascia as shown in Figure 7. Place bolt (4.3) through the top of the fascia, spacer and mount. Secure the bolts with locknuts (4.5).



9. Place the fairlead bracket (2) over the mount and winch as shown in Figure 8. Insert the 4 carriage bolts (4.1) from the back of the plate, and secure them with lock nuts (4.2) from the front. Make sure your winch cable end is coming out through the fairlead mounting location.
10. Place the main front fascia over the front of the machine in the same location that you removed it from in step 1. Run the winch cable through the new grill when installing. Utilize the original bolts (A) to reattach both sides of the main fascia. See Figure 9.
11. Attach the Fairlead to the Fairlead Bracket according to the instructions in your winch manual.

