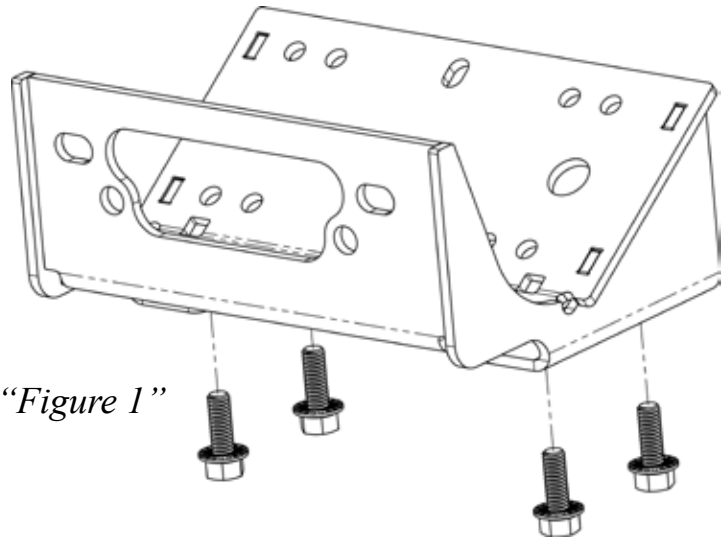


# KAWASAKI TERYX

Winch Mount                    PART # 101945  
   Hardware Kit: HK-049, HK-031

**Kit Components:**

Qty.	Part Description
1.....	Winch Mount Plate
4.....	3/8"-16 x 1" Hex Flange Bolt
1.....	UTV Mini Rocker Kit (HK-031)

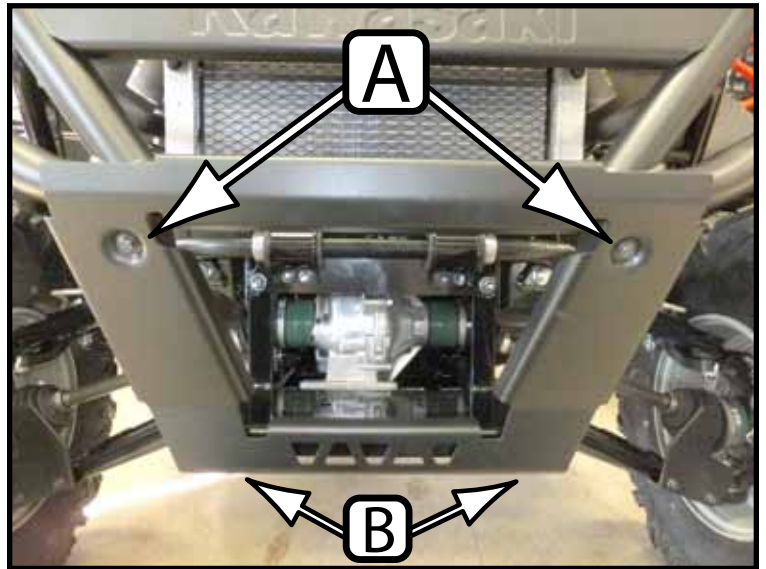


*"Figure 1"*

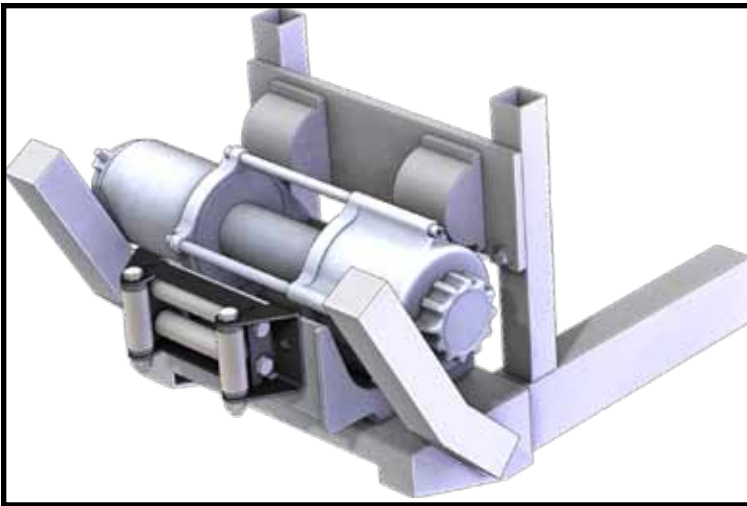
**INSTALLATION INSTRUCTIONS:**

1. Take off the front panel by removing 2 Bolts (A) and two screws (B) as shown in Figure 2.
2. Install Roller Fairlead to mount plate using hardware provided with the winch. See Figure 3.
3. Install Winch to mount plate using the hardware provided with the winch. See Figure 3.
4. Place winch and mount plate assembly onto machine as shown in Figure 4.

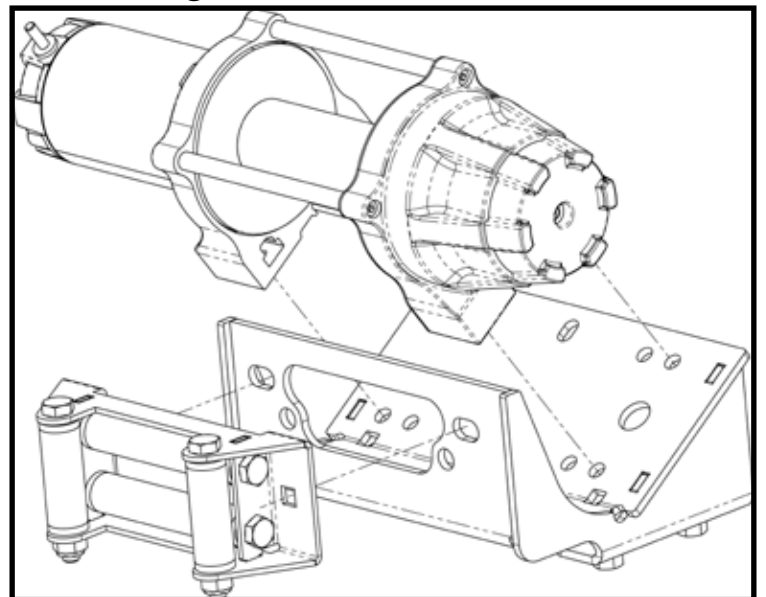
*Note: For some winches you may need to rotate your leads.*



*"Figure 2" Front Panel Removal*

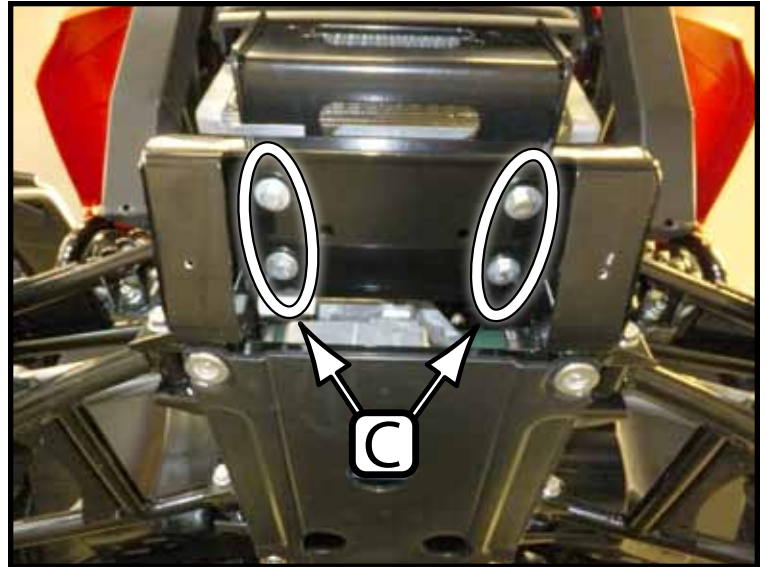


*"Figure 4" Winch and Mount Assembly Install*



*"Figure 3" Winch Install and Fairlead*

5. Install mount plate to machine using the 4 Bolts (C) provided with the winch mount. See Figure 5.
6. Reinstall front panel.
7. Use the instructions provided with your winch, wire accordingly.



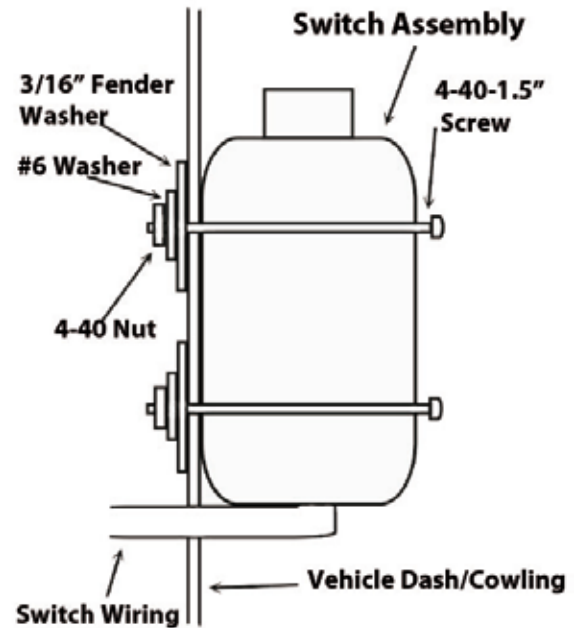
*“Figure 5” Winch Mount Bolt Install*



*“Figure 6” Fully Installed*

## WIRING INFORMATION

1. Find a dry location for the contactor. There is no specific location on this machine.
2. Mini-Rocker Switch Hardware kit. This allows you to mount your usual handle bar mounted switch to almost any desired location.
  - a. Remove handlebar mount hardware from the switch.
  - b. Locate desired mounting location
  - c. Mark and drill two switch holes through dash using switch housing as a template
  - d. Drill a 3rd hole for the switch wiring.
  - e. Assemble per Figure 6.
3. Find a location that suits your purposes for the mini-rocker switch and hand remote.



### Optional Switch Mount Instructions\*

*“Figure 6” Mini-Rocker Mounting*

