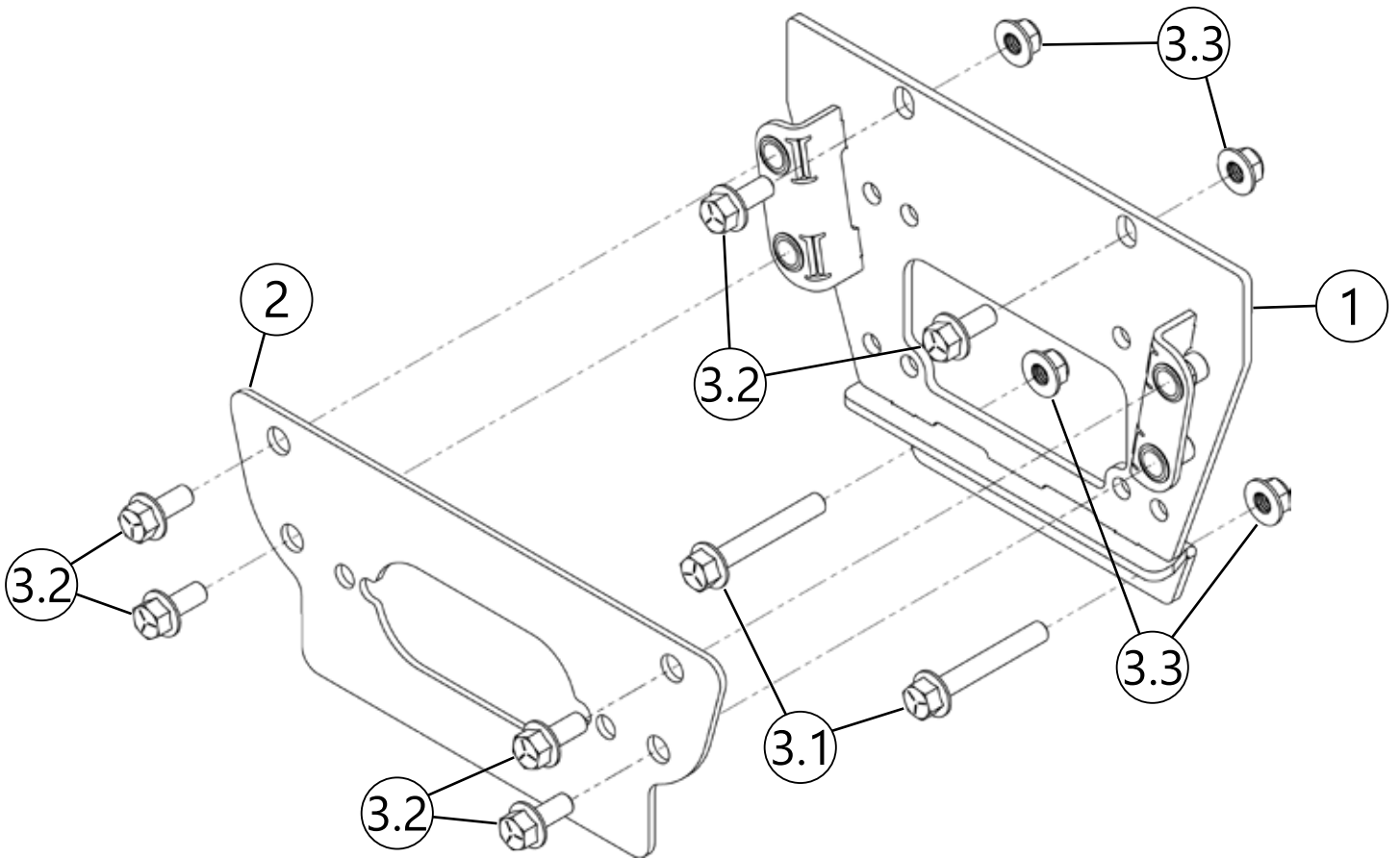


KAWASAKI TERYX KRX

Winch Mount

PART #101805

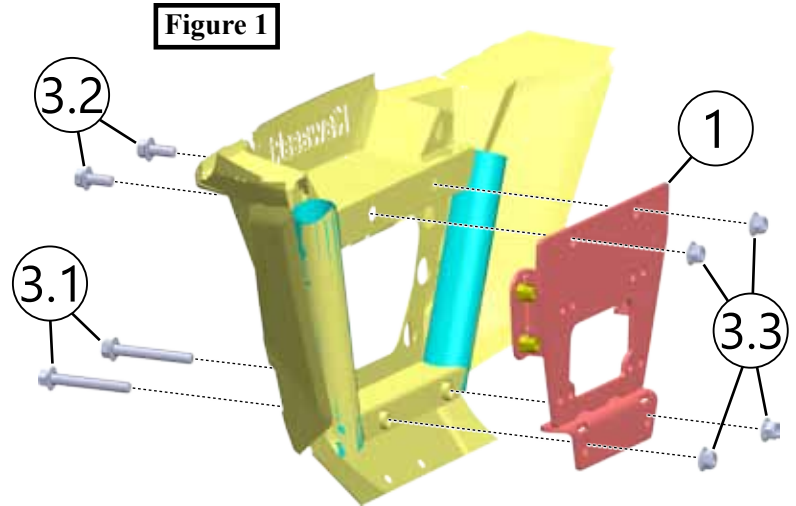
Kit Components:		
Item #	Qty.	Description
1	1	Winch Mount
2	1	Fairlead Mount
3	1	HK-372
3.1	2	3/8"-16 X 2.75 Hex Flange Bolt
3.2	6	3/8"-16 X .88 Hex Flange Bolt
3.3	4	3/8"-16 Hex Flange Nylock Nut



INSTALLATION INSTRUCTIONS

Note: Make sure all hardware needed to complete this mount is in the package. Thoroughly read through and understand the instructions before installing.

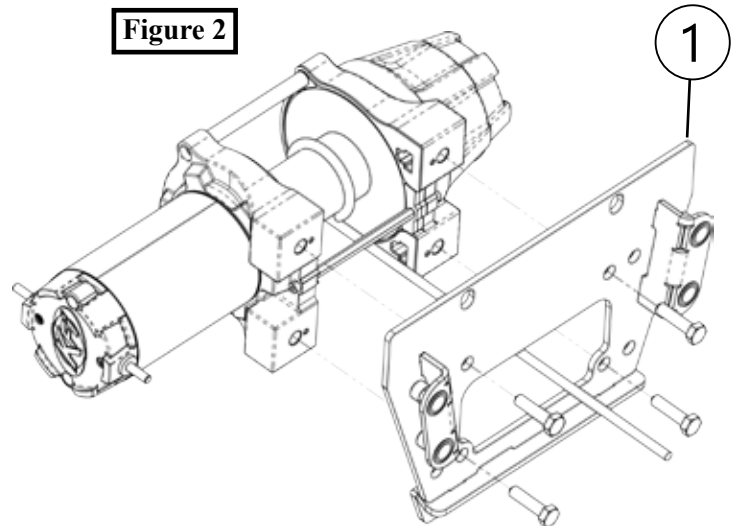
1. Instal winch mount (1) to the rear of the frame on the front bumper using the longer 3/8" bolts (3.1) on the bottom and the shorter 3/8" bolts (3.2) on the top and nuts (3.3) as shown in **Figure 1**.



2. Instal winch to winch mount (1) using the supplied hardware with the winch as shown in **Figure 2**.

• See **Figure 4** for wide and standard winch bolt patterns.

3. Assemble roller fairlead or hawse to fairlead mount (2) using the supplied hardware with the winch as shown in **Figure 3**.



4. Running the winch cable through the fairlead mount (2) and fairlead, set fairlead mount (2) in place and secure using the shorter 3/8" bolts (3.2) as shown in **Figure 3**.

5. Tighten all hardware evenly.

Figure 3

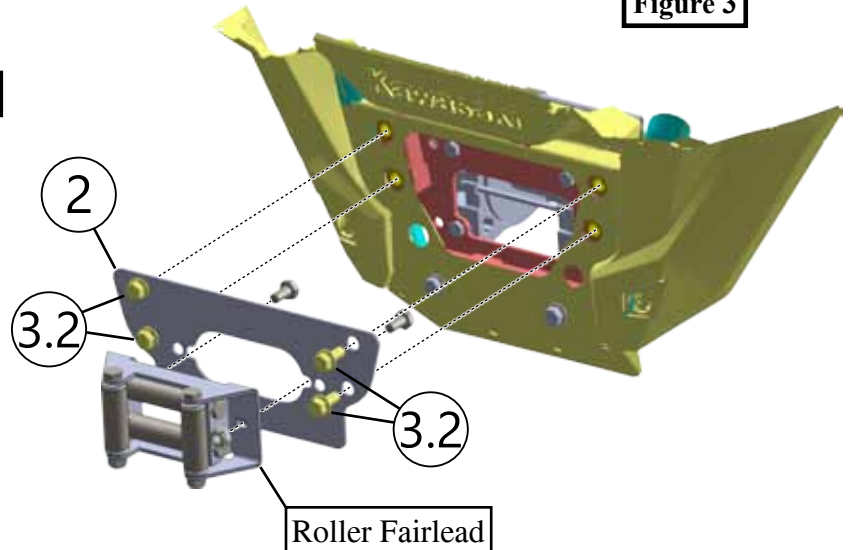
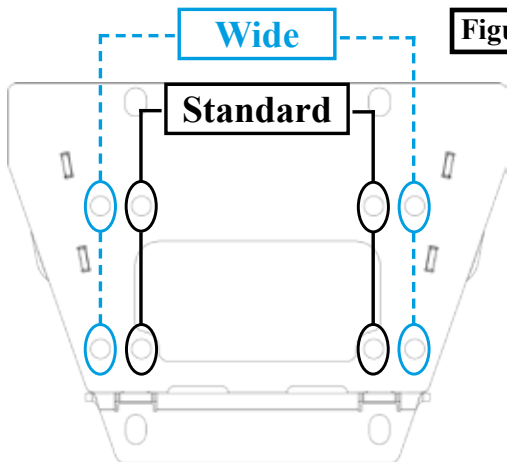


Figure 4



WIRING INSTRUCTIONS

1. Remove driver seat of vehicle.
2. Remove the center dash from the machine and install dash switch in the desired location.
3. Disconnect positive (+) and negative (-) battery cables and remove battery from vehicle.
4. Install the contactor behind driver seat near battery as shown in **Figure 5**.

Note: Be sure the contactor is going to clear any metal objects once seat is reinstalled.

5. Locate the corrugated wiring tube in the battery compartment and on the passenger side fire wall and remove the caps.
6. Connect the blue and yellow winch wires to the winch.
7. Route the winch wires and the harness for the switch/switches through the corrugated wiring tube on the fire wall back to the battery as shown in **Figure 6 & 7**.

Note: Using electrical tape, tightly wrap the wires being fed through the corrugated tube in a staggered manner to easily feed the wires through the tube back to the battery.

8. Wire the winch and switch/switches per the wiring instructions provided with the winch manual.

Keyed 12V Accessory Wire

Connect the red power wire from the harness on the switch/switches to the positive (+) ignition terminal on the buss bar located inside of the center dash as shown in **Figure 8**.

