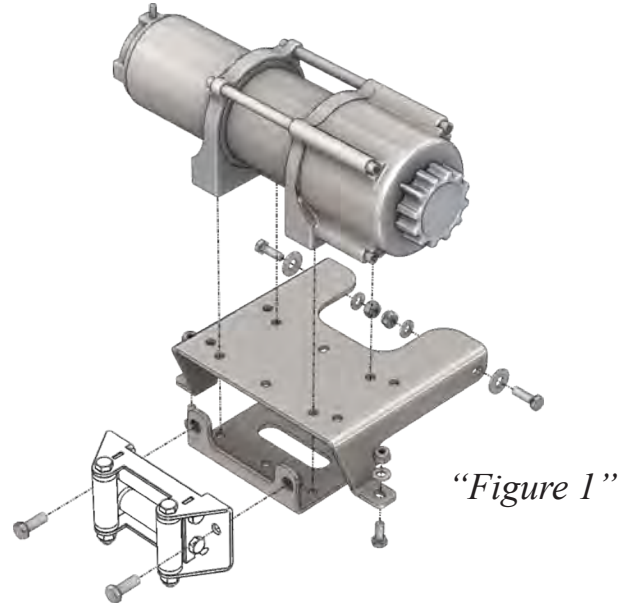


CAN-AM COMMANDER

Winch Mount PART # 100840
 Hardware Kit: HK-070, HK-031

Kit Components:

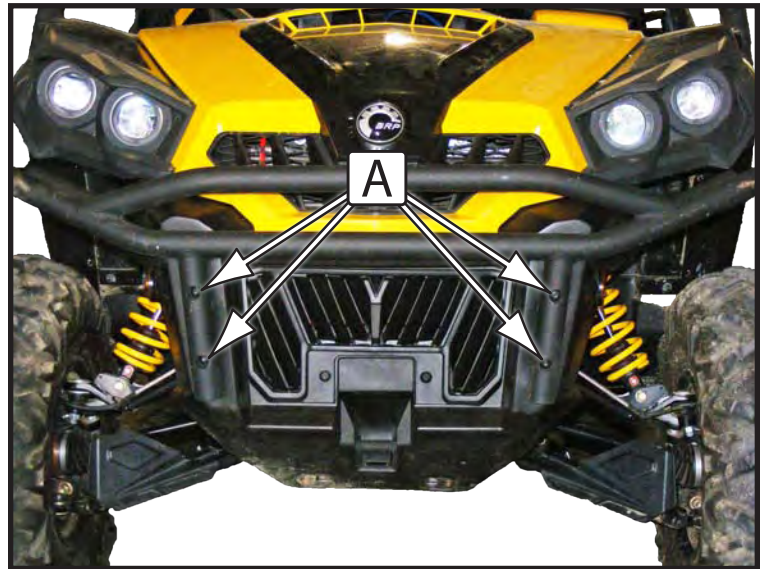
Qty.	Part Description
1.....	Winch Mount Plate
1.....	Commander Narrow Fairlead Plate
2.....	3/8"-16 x 1" Hex Bolt
2.....	3/8" USS Flat Washer
2.....	3/8" Clip Nut
2.....	5/16"-18 x 3/4" Hex Flange Bolt
2.....	5/16"-18 x 1" Hex Flange Bolt
4.....	5/16"-18 Nylock Hex Nut
4.....	5/16" SAE Flat Washer
1.....	UTV Mini Rocker Kit (HK-031)



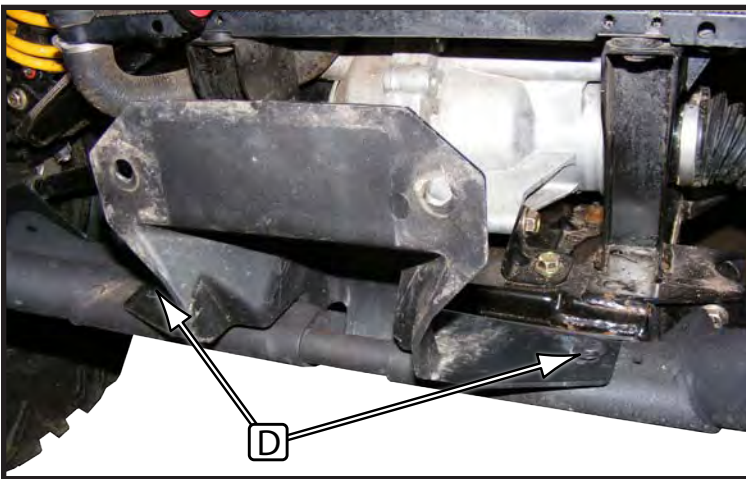
INSTALLATION INSTRUCTIONS:

1. Take off the front bumper by removing 4 Torx Bolts (A) as shown in Figure 1.
2. Detach front fascia and access cover by removing 8 Torx Bolts (B,C) and two nuts as shown in Figure 3. To fully detach the access cover remove the 2 plastic rivets (D) in the lower frame rail. (See Figure 4)

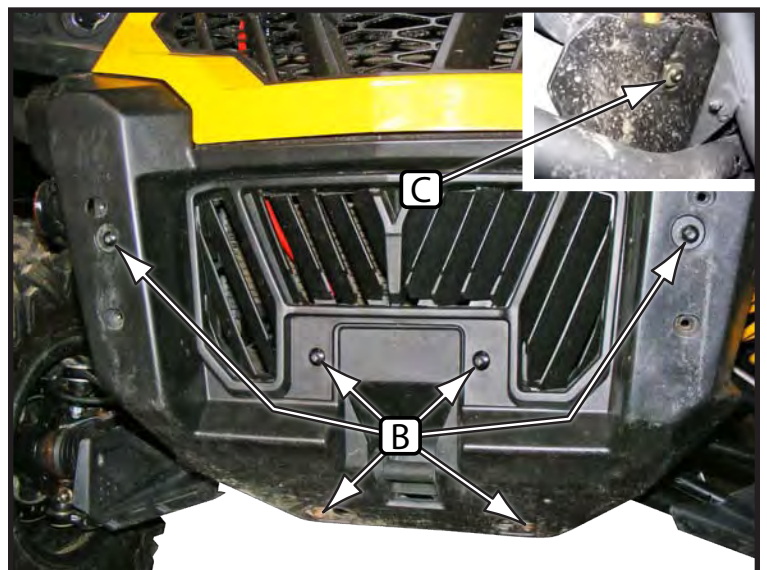
Note: Hex Bolt (C) is located inside the fender by the light pod.



"Figure 2" Front of UTV



"Figure 4" Access Cover



"Figure 3" Front Fascia

- Place mount into position as shown in Figure 5. Align front lower mount holes with holes in the lower frame rail. Fasten mount to the lower frame rail using the 5/16" x 3/4" Bolts, Washers and Nuts (E), with nuts on the top for ease of install. Use the 5/16" x 1" Bolts, Washers and Nuts (F) with the bolt head inside the frame channel, for the rear holes.

Note: Some machine frames may have a wider distance between the two frame channels where the mount is attached. You may need to use the 3/8" USS Washers included as spacers.

- Determine if you have a wide winch (hole pattern 6.6) or standard winch (hole pattern 4.875). If you have a wide winch you will need to use the fairlead bracket provided with your winch. **If you have a standard winch you will need to use the fairlead bracket provided with the mount.**
- Affix 3/8" clip nuts to the fairlead holes on bracket (see Figure 6).

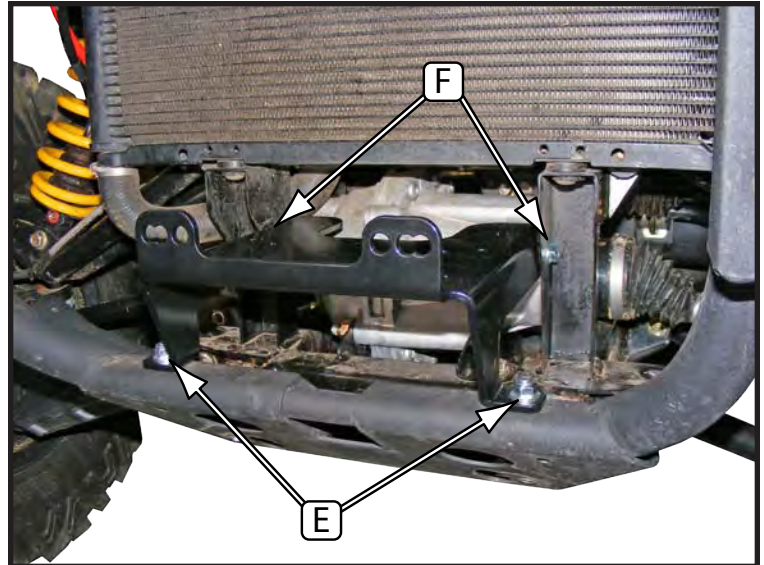
- Install fairlead bracket (to underside of mount plate) and winch to mount plate using the hardware included with your winch. (See Figure 6)

Note: On some winches it maybe easier to install wiring to the winch before installing the winch to the mount plate. This machine requires you to use the shorter wires (Black/Red) to go from the winch to the contactor.

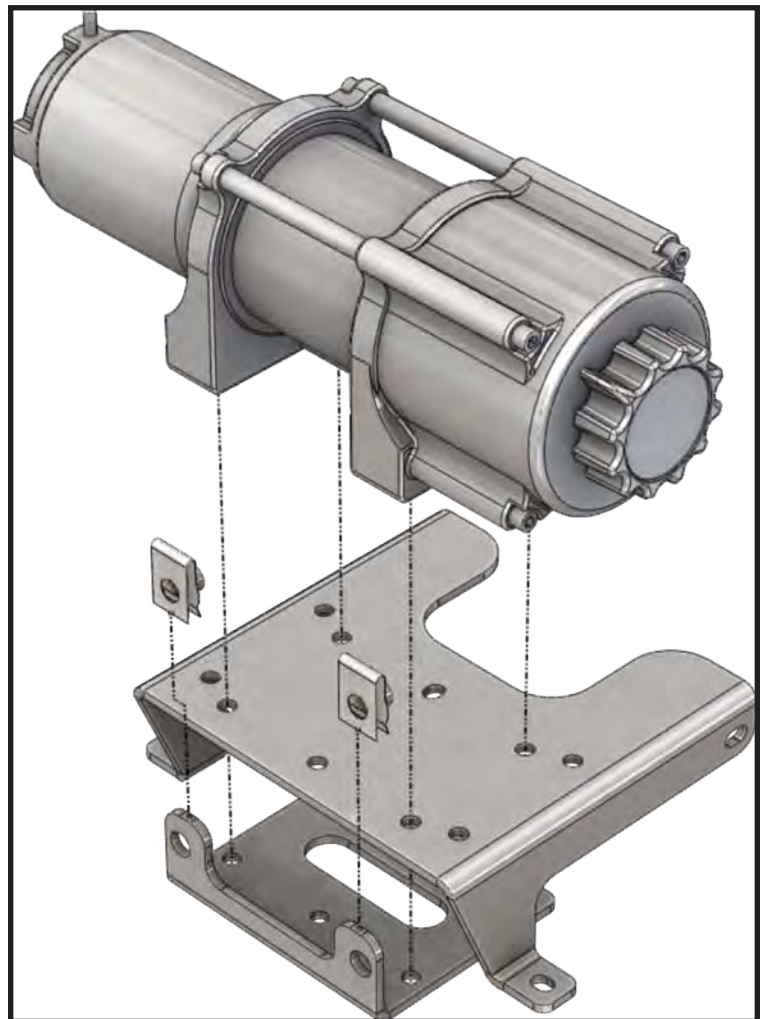
- Replace front fascia and bumper, minus lower access cover, replace all torx bolts and loosely fasten to hold fascia in place for roller fairlead installation.

Note: OEM fascia comes with holes for the wide 6" fairlead pattern only. Standard fairlead pattern will require trimming/drilling.

- Install roller fairlead using the 3/8" bolts and washers included in the hardware kit. (See Figure 1)
- Use the instructions provided with your winch, wire accordingly.



“Figure 5” Winch Mount Install



“Figure 6” Fairlead Bracket and Winch Install



“Figure 7” Fully Installed

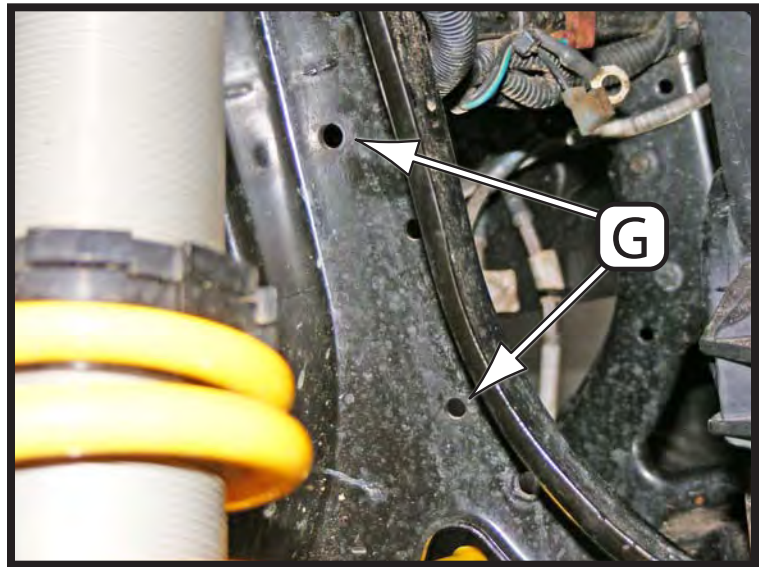


WIRING INFORMATION

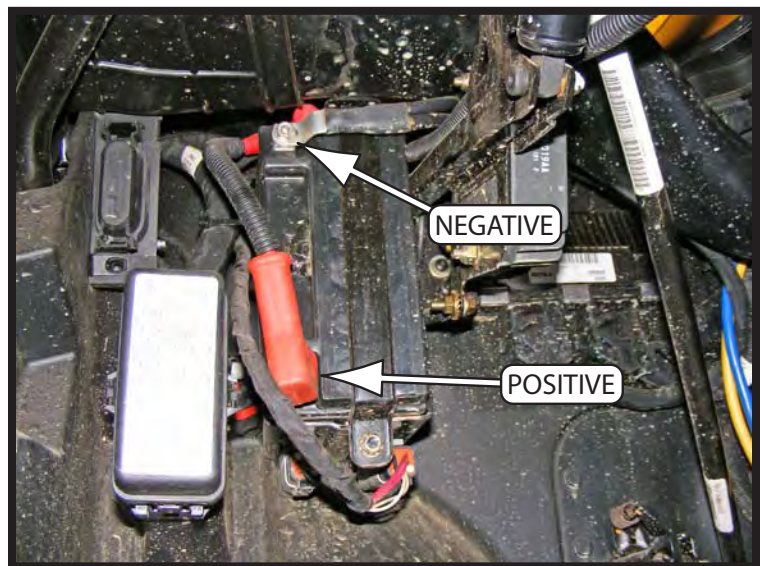
1. For contactor location please see “Figure 8”. *This is located behind the radiator on the passenger side of the machine and only uses 2 bolts.*

The wires will need to be switched for this machine. The longer wires (Blue/Yellow) will be used to go from the battery to the contactor. The shorter wires (Black/Red) will be used to go from the winch to the contactor.

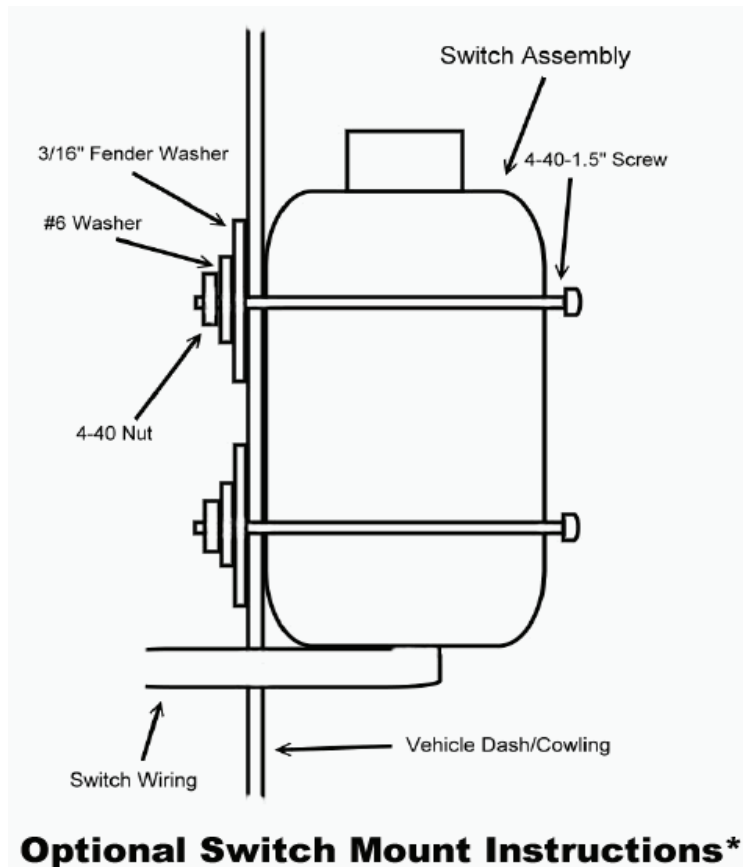
2. Mini-Rocker Switch Hardware kit. This allows you to mount your usual handle bar mounted switch to almost any desired location.
 - a. Remove handlebar mount hardware from the switch.
 - b. Locate desired mounting location
 - c. Mark and drill two switch holes through dash using switch housing as a template
 - d. Drill a 3rd hole for the switch wiring.
 - e. Assemble per Figure 11.
3. Find a location that suits your purposes for the mini-rocker switch and hand remote.
4. Wire the red ignition wires from controllers to the red (+) wire on the accessory plug as shown in Figure 10 using the supplied connector.



“Figure 8” Contactor Location



“Figure 9” Battery Location
(Battery is located under steering column.)



Optional Switch Mount Instructions*

“Figure 11” Mini-Rocker Mounting



“Figure 10” Wire Location