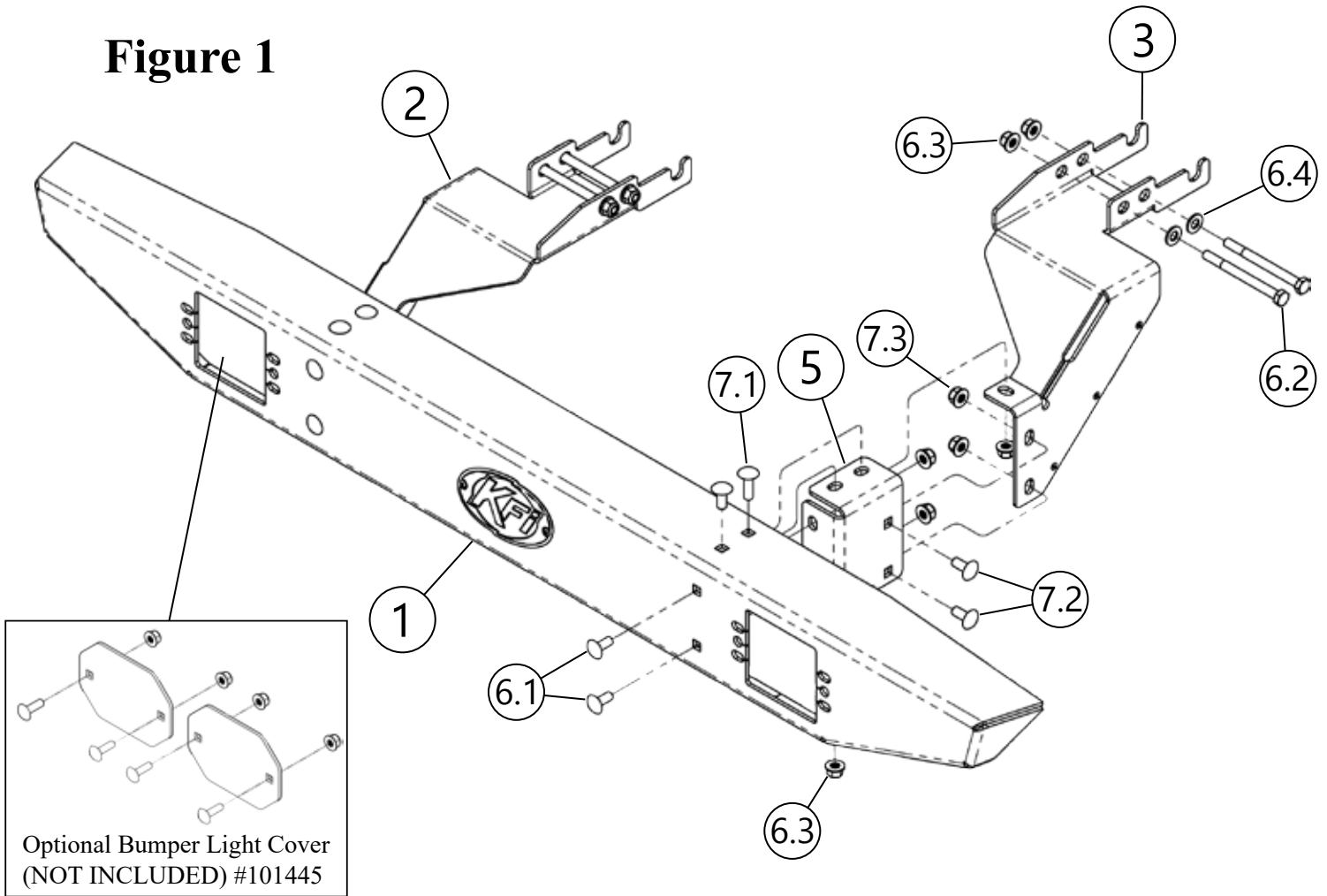


POLARIS GENERAL

Rear Bumper

PART #101880

Figure 1



Optional Bumper Light Cover
(NOT INCLUDED) #101445

Kit Components:

Item #	Qty.	Description
1	1	Bumper
2	1	Driver Side Bumper Bracket
3	1	Passenger Side Bumper Bracket
4	1	Driver Side Conversion Bracket (not shown)
5	1	Passenger Side Conversion Bracket
6	1	Hardware Kit (HK-387)
6.1	6	5/16"-18 x .75 Carriage Bolt (Black)

Kit Components:

Item #	Qty.	Description
6.2	4	5/16"-18 x 3.50 Hex Bolt
6.3	10	5/16"-18 Hex Flange Nylock Nut
6.4	4	5/16" Flat Washer
7	1	Hardware Kit (HK-342)
7.1	2	5/16"-18 x 1.00 Carriage Bolt (Black)
7.2	4	5/16"-18 x .75 Carriage Bolt
7.3	6	5/16"-18 Hex Flange Nylock Nut



INSTALLATION INSTRUCTIONS

Note: Make sure all hardware needed to complete this mount is in the package. Thoroughly read through and understand the instructions before installing.

Note: If installing lights in the bumper, cutout will accept most flush 3" cube lights. See kfiproducts.com for more details.

1. Loosen but do not remove hardware (A) from the bed hinge as shown in **Figure 2**. **Note:** be sure to loosen enough to slide the bumper bracket tab behind hardware on each side.

2. Hold driver side bumper bracket (2) in place over bed hinge and loosely fasten using OEM hardware (A), bolts (6.2), washers (6.4), and nuts (6.3) as shown in **Figure 3 & 4**.

Note: Passenger side shown. Repeat step 2 for passenger side bumper bracket (3).

3. Place conversion bracket (4 & 5) inside of bumper (1) and secure using bolts (6.1) and nuts (6.3) as shown in **Figure 5**.

4. Set bumper and conversion bracket onto bumper brackets (2 & 3) and secure using bolts (7.1 & 7.2) and nuts (7.3) as shown in **Figure 5**.

5. Tighten all hardware evenly.

Figure 2

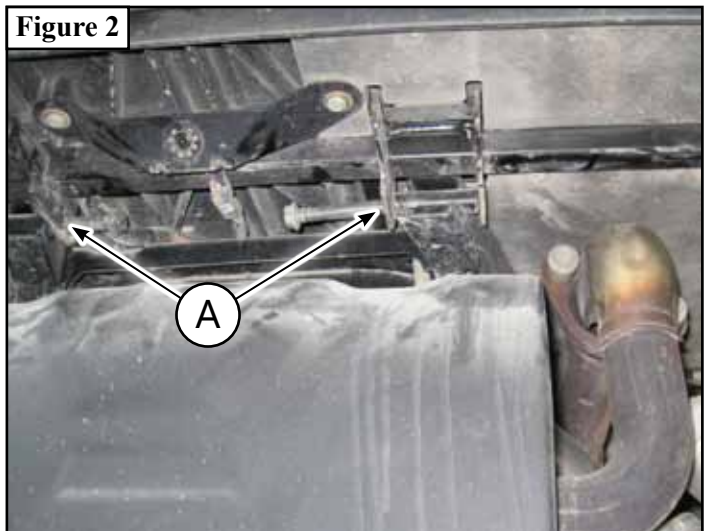


Figure 3

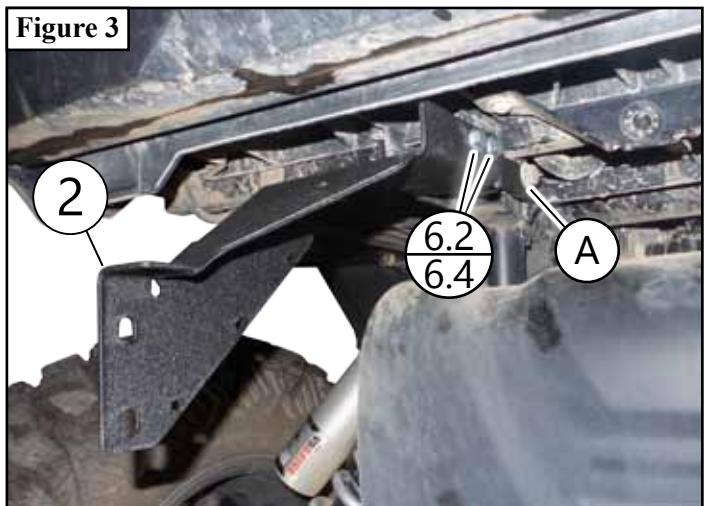


Figure 5

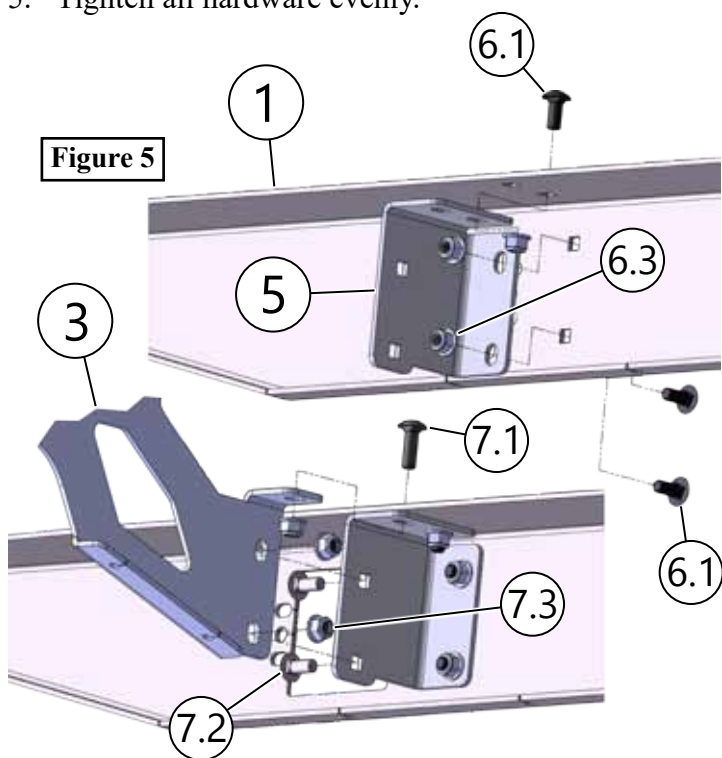


Figure 4

