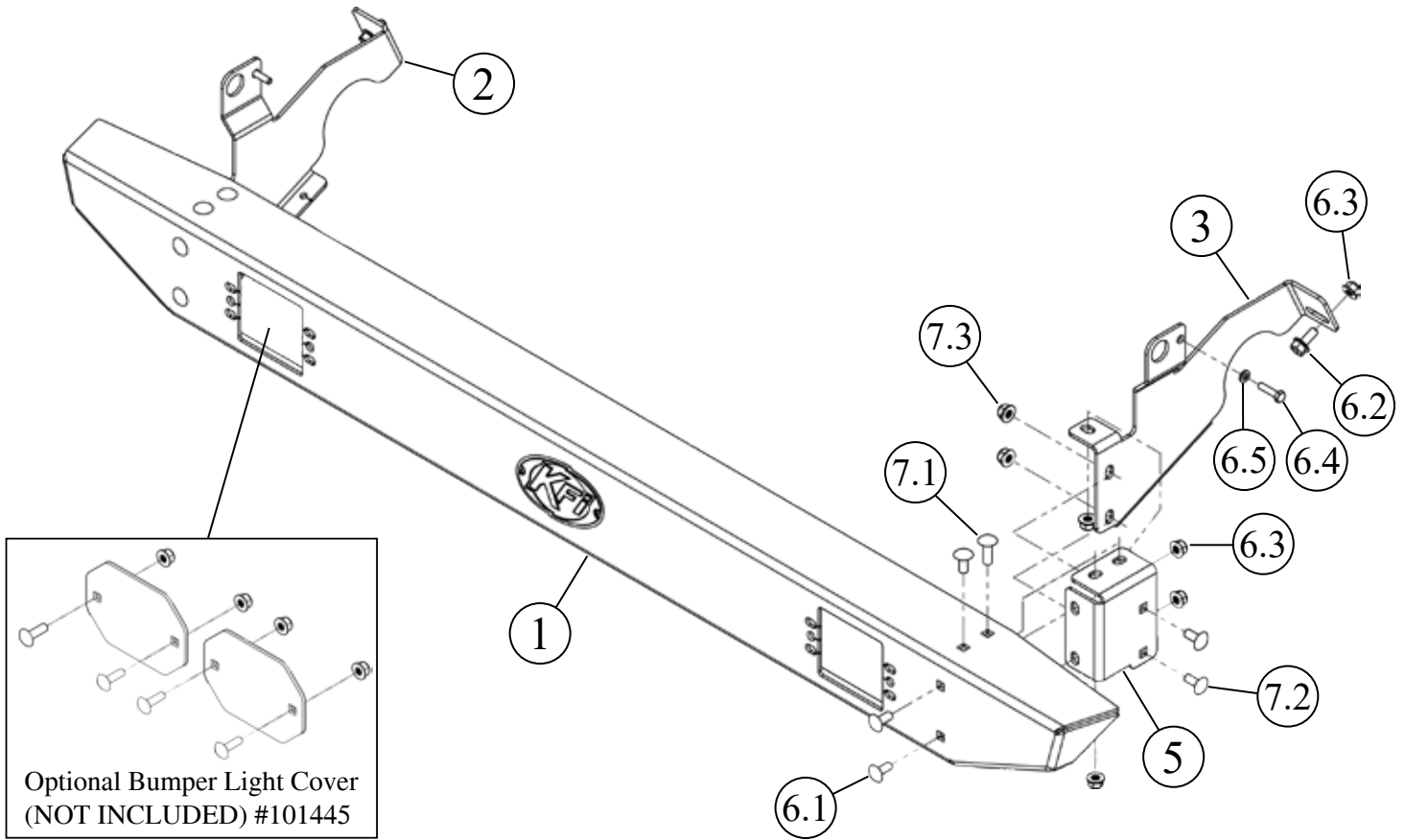


HONDA PIONEER 700

Rear Bumper

PART #101570



Kit Components:		
Item #	Qty.	Description
1	1	Bumper
2	1	Driver Side Bumper Bracket
3	1	Passenger Side Bumper Bracket
4	1	Driver Side Conversion Bracket (not shown)
5	1	Passenger Side Conversion Bracket
6	1	Hardware Kit (HK-348)
6.1	6	5/16"-18 x .75 Carriage Bolt (Black)

Kit Components:		
Item #	Qty.	Description
6.2	2	5/16"-18 x .75 Hex Flange Bolt
6.3	8	5/16"-18 Hex Flange Nylock Nut
6.4	2	M6-1.00 x 25 Hex Bolt
6.5	2	M6 Lock Washer
7	1	Hardware Kit (HK-342)
7.1	2	5/16"-18 x 1.00 Carriage Bolt (Black)
7.2	4	5/16"-18 x .75 Carriage Bolt
7.3	6	5/16"-18 Hex Flange Nylock Nut



INSTALLATION INSTRUCTIONS

Note: Make sure all hardware needed to complete this mount is in the package. Thoroughly read through and understand the instructions before installing.

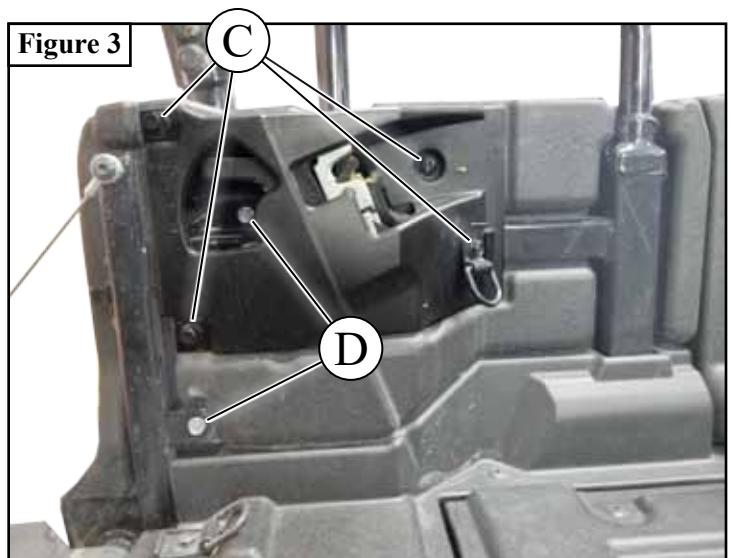
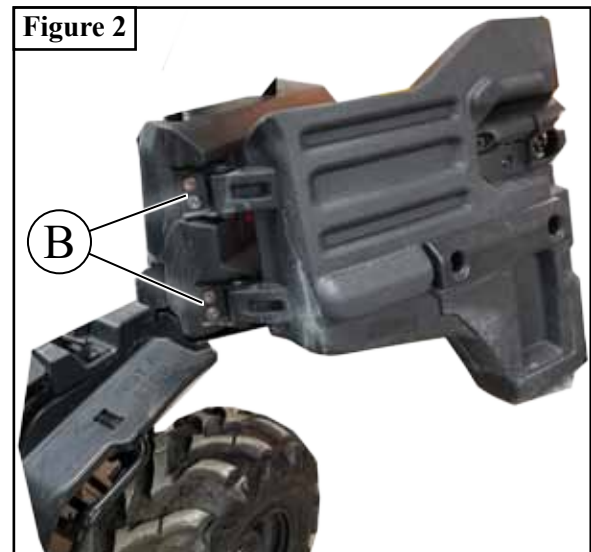
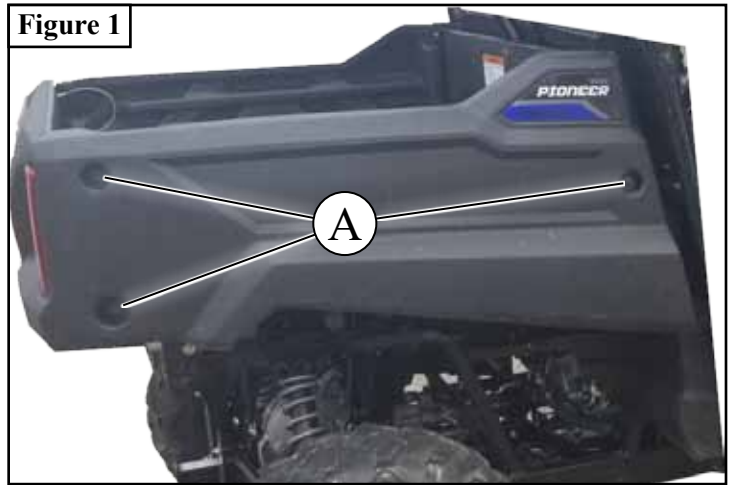
Note: If installing lights in the bumper, cutout will accept most flush 3” cube lights. See kfiproducs.com for more details.

1. If you have a Pioneer 700 (2-Seater)

- Remove bed side by removing hardware (A) as shown in **Figure 1**. Unplug brake light. Repeat for both sides.

2. If you have a Pioneer 700-4 (4-Seater)

- Remove doors by removing hardware (B) as shown in **Figure 2**. Repeat for both sides.
- Remove hardware (C) and plastic panel as shown in **Figure 3**. Repeat for both sides.
- Remove hardware (D) as shown in **Figure 3**. Do not remove box side completely. This will allow access for the next steps. Repeat for both sides.



INSTALLATION INSTRUCTIONS

- Once box side panels are removed or loose, remove the tailgate hinge hardware (E) as shown in **Figure 4**.
- Remove hinge and insert through bumper bracket (2) and reinstall tailgate hinge. Loosely fasten using hardware (6.4 & 6.5) as shown in **Figure 5**.
- Secure front of bumper bracket (2) using hardware (6.2 & 6.3) as shown in **Figure 5**.
- Repeat steps 3-5 for passenger side.
- Place conversion bracket (4 & 5) inside of bumper (1) and secure using bolts (6.1) and nuts (6.3) as shown in **Figure 6**.
- Set bumper assembly onto bumper brackets (2 & 3) and secure using bolts (7.1 & 7.2) and nuts (7.3) as shown in **Figure 6**.
- Tighten all hardware evenly.

