

# TIGERTAIL™ 2" UNIVERSAL RECEIVER

Receiver Mount      PART # 101110  
 Hardware Kit: HK-307

**Kit Components:**

Qty.	Part Description
1.....	<b>TigerTail™</b> Mount Plate
1.....	2" Receiver Plate
2.....	5/8"-11 x 2" Carriage Bolt
2.....	5/8" USS Flat Washer
2.....	5/8" Hex Nut



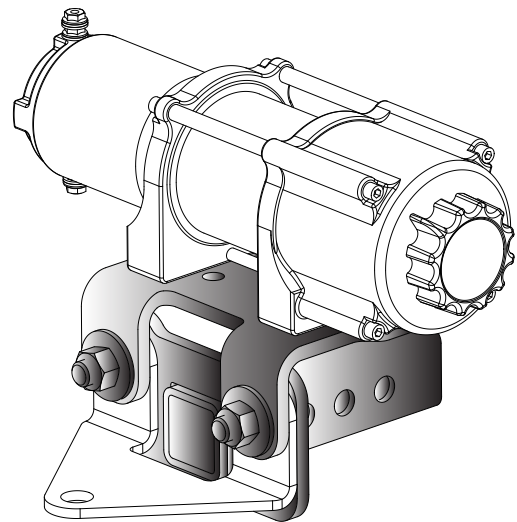
*"Figure 1" Bolt Install*

**INSTALLATION INSTRUCTIONS:**

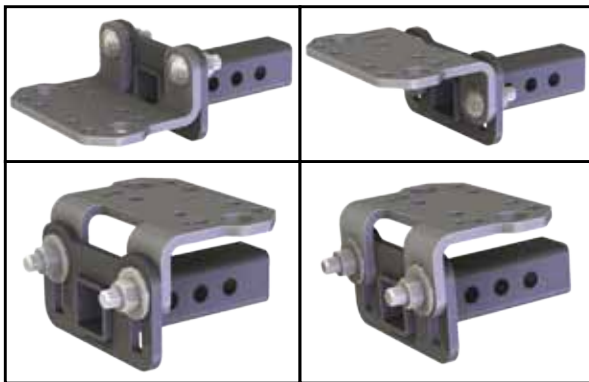
1. Decide which position will best suit your purposes.

*Note: There are several different positions in which the mount can be installed. See Figure 2 for the most popular positions.*

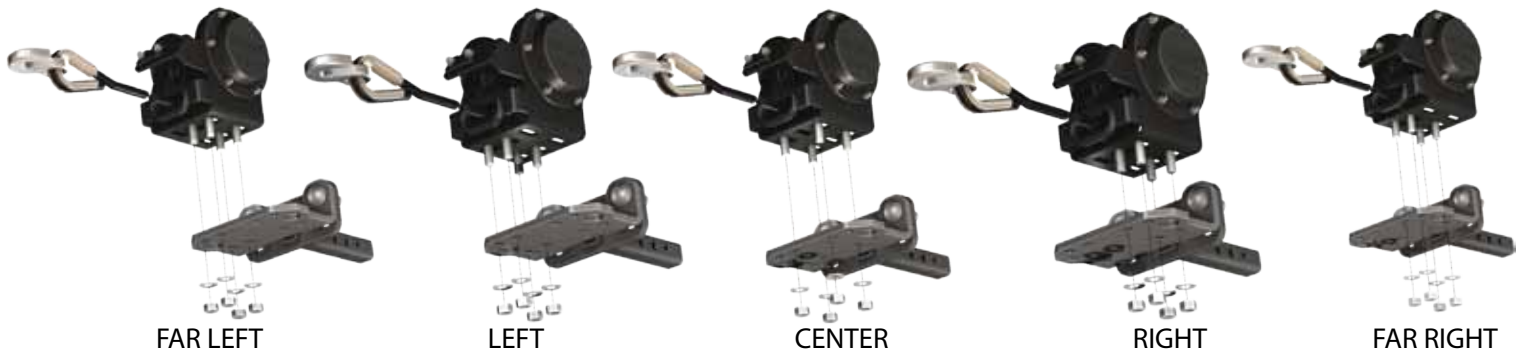
2. Install **TigerTail™** Mount Plate to 2" Receiver Plate using the hardware provided with the mount. See Figure 1.



*"Figure 3" Optional Ball Hitch Plate (Part # 11304-00) Sold Separately Compatible with Standard Winches (4.875 bolt pattern)*



*"Figure 2" Receiver Positions*



*"Figure 2" TigerTail Mounting Positions*

