



**INSTALLATION INSTRUCTIONS / OWNER'S MANUAL:
AUDIO MINI
OFF-ROAD SOUND SYSTEM FOR CFMOTO UFORCE 1000 / 1000 XL
MODELS**

www.hoppeindustries.com
22667 FM 15 Troup, TX 75789
(262) 552-2770

Thank you for choosing the Hoppe *Audio Mini* off-road sound system. We hope you enjoy the off-road sound system, and we ask that you follow these instructions very closely. Doing so will save you time and ensure that your experience with the new *Audio Mini* is a positive one.

We strongly suggest that you read the complete instructions before beginning the installation process to eliminate the possibility of performing unnecessary work.

Having a safe and clean environment and using the proper tools is essential for a successful installation.

It is critical that proper eye wear, ear protection, and protective clothing is worn throughout the top installation.

When you receive your *Audio Mini* off-road sound system, please check to ensure that all parts and hardware are included. If there are any parts missing or if you have any questions concerning the system at this time call Hoppe at (262)-552-2770 Mon-Thur. 8am-5pm CST or Friday 8am -12pm CST. Or you can email us at tech@hoppeindustries.com.

Hoppe reserves the right to change specifications, equipment, or designs at any time without notice and without incurring obligation.

TABLE OF CONTENTS

SECTION 1 – <i>Tools Required</i>	4
SECTION 2 – <i>About your Audio Mini sound system</i>	4
2.1 Applicable Year Models:	4
2.2 Audio Equipment Details:.....	4
2.3 Warranty:	4
2.4 Care and Maintenance:	5
2.5 Warnings:.....	5
SECTION 3 – <i>Pre-Installation Inspection</i>	6
SECTION 4 – <i>Installation</i>	7



SECTION 1 – Tools Required

- Socket wrench set
- Combination wrench set
- Wire cutters

In addition to the above items, you may need shop supplies such as electrical tape, wire ties, thread locking compound, etc.


SECTION 2 – About your Audio Mini sound system

2.1 Applicable Year Models:

This *Audio Mini* off-road sound system is designed to fit the following UFORCE models:

- 2019-2022 UFORCE 1000
- 2022 UFORCE 1000 XL
- This system is compatible with most front windshields.
- Accessories that mount overhead near the front of the roll cage visor such as rear view mirrors, wiper motors, etc. may not be compatible or may require modification. Contact Hoppe customer service for questions.

2.2 Audio Equipment Details:

Your *Audio Mini* off-road sound system is powered by  using their marine series audio equipment. This equipment is designed to function in all weather conditions with an IPX6 water resistance (powerful water jet) rating. The stereo is specifically engineered to provide excellent sound quality and volume in an open air environment so you can enjoy your music on the go.

To learn more details about your stereo system, you can access product information and manuals for the stereo equipment here:

- KMC2 receiver: <https://www.kicker.com/kmc2>
- Speakers: <https://www.kicker.com/41KM604W>

You can feel free to crank up the volume without much worry of harming your system. However, it is wise to use a little common sense. If you hear any distortion, back off a little.

Use the equalizer settings in your KMC2 receiver to adjust the settings to your preferences.

2.3 Warranty:

Your *Audio Mini* comes equipped with a 1 year limited warranty covering the light, the stereo equipment, and the enclosure. The date of warranty coverage will be determined by the registration date of the warranty card or online warranty registration.

<http://www.motortrike.com/TrikeAccWarranty.aspx>

If the warranty is not registered with Hoppe, the warranty period will begin when the Audio Mini was shipped from Hoppe's factory.

2.4 Care and Maintenance:

Your off-road sound system does not require any maintenance other than an occasional cleaning. To clean your audio system, simply hose off or power wash from a distance. If needed, use a mild automotive soap and sponge or brush. Use common sense. Do not use a high pressure power washer up close where it could cut, scar, or force water beyond the design intent of the enclosure, light, or stereo equipment.

There is an inline fuse, close to the end of the chassis harness where it connects to the winch contactor. It can be accessed by pulling the cap off of the fuse holder. There is also a mini 40-amp ignition relay built into the chassis harness next to the inline fuse. See Figure 1.

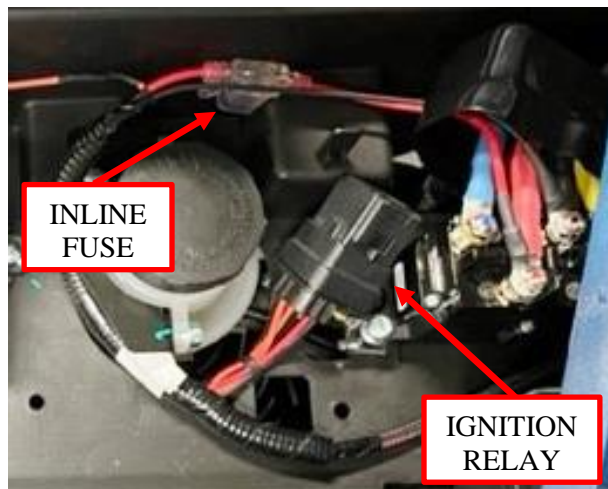


Figure 1: Fuse location.

- Fuse 1: 15 amp mini fuse for light / radio receiver power.

2.5 Warnings:

This off-road system adds up to 25 lbs. to your vehicle and is located up high on the roll cage. This increases the vehicle's center of gravity and changes the vehicle dynamics and handling characteristics. Use extra caution as you learn the driving characteristics of your vehicle with your new off-road sound system installed. High speed cornering, off camber or side hill, acceleration, and braking performance will be negatively impacted by the weight of the sound system.

Do not listen to your stereo at an uncomfortable volume for extended periods of time. Potential hearing loss may result.

SECTION 3 – Pre-Installation Inspection

Included in your off-road sound system are the following components:

- Pre-assembled *Audio Mini* off-road sound system (All speakers and electronics come preinstalled with interior wire harness.)
- Chassis wire harness
- Mounting brackets
- Hardware bag
- Zip ties
- Zip tie mounts
- Alcohol wipes

If any of the parts are missing, damaged, or you have any questions concerning them, please call Hoppe at (262)-552-2770 Mon-Thur. 8am-5pm CST.

In addition to accounting for all of the parts that you should receive with the top, you should inspect the vehicle in the following ways.

- Ensure that the vehicle is equipped with the factory roll cage, and the roll cage has not been bent out of shape in a roll over.
- Make sure the vehicle does not have any aftermarket accessories that are incompatible with the top.
- Make sure the battery is in good condition and holds a charge.
- Make sure the charging system is in good condition.

SECTION 4 – Installation

1. Remove the four factory bolts securing the roof to the visor. Save the hardware for reinstallation in later steps. See Figure 2.



Figure 2: Remove the front bolts securing the roof to the visor.

2. Remove the factory bolts from the front visor as indicated in Figure 3. The bolts will be replaced. Note: Driver side shown. (Passenger side similar)

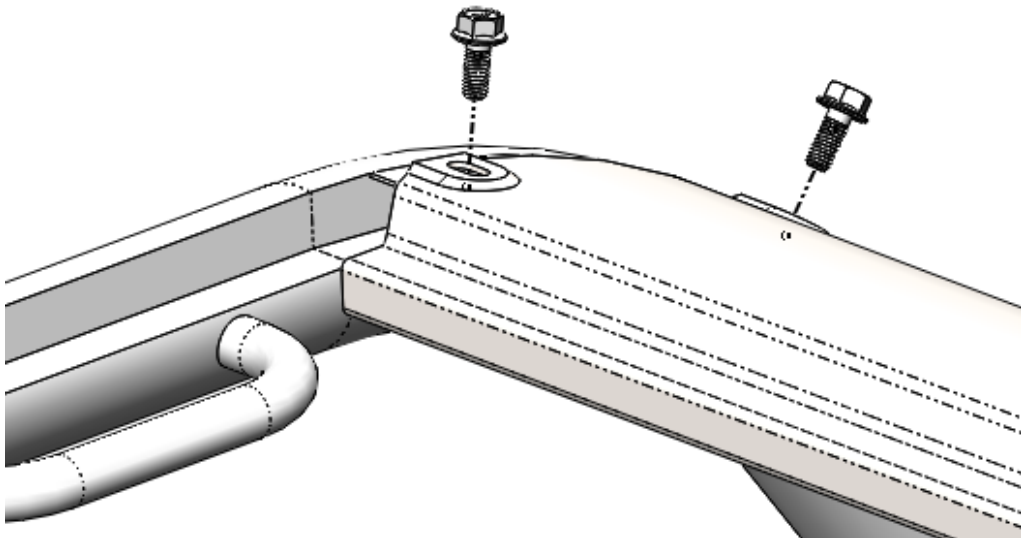


Figure 3: Remove the factory front visor bolts.

3. Place the driver's side bracket between the roll cage and front visor. Use the supplied M8 x 20 mm bolts and washers to snugly tighten the bracket until it is fully secured in the following steps. Verify correct orientation of the mounting bracket. See Figure 4. Note: Driver side shown. (Passenger side similar)

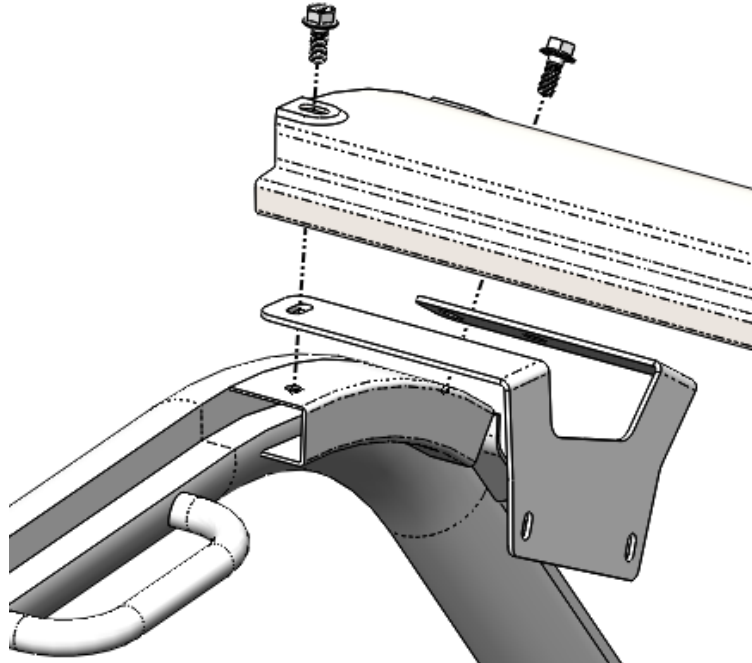


Figure 4: Mounting location of the *Audio Mini* bracket.

4. Reusing the factory bolts, reinstall **only** the two center bolts securing the roof to the visor. See Figure 5.



Figure 5: Reinstall the two center bolts securing the roof to the visor.

- Using an assistant, hang the *Audio Mini* off-road sound system on the brackets using the supplied $\frac{1}{4}$ "-20 bolts and washers (snugly tightened). **Note: The sound system weighs up to 25 lbs. Since you will have to lift and bolt each end, it is helpful to have an assistant for this step.** See Figure 6 and Figure 7.

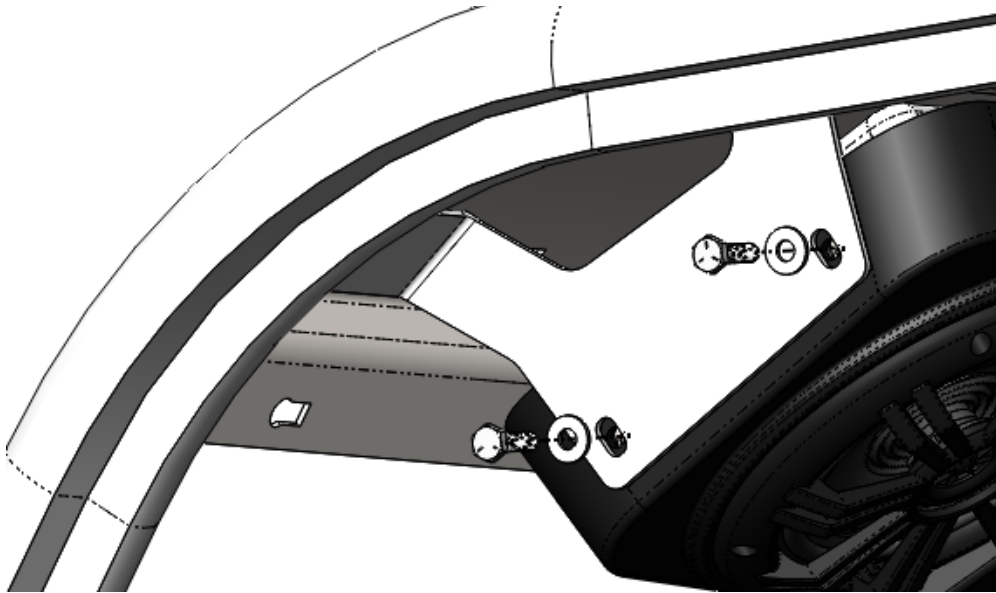


Figure 6: Install the $\frac{1}{4}$ "-20 bolts and washers to mount the Audio Mini to the brackets.



Figure 7: Loosely install the sound system on the mounting brackets.

- Once you have the *Audio Mini* in your desired position, gently lift the roof to tighten all 4 visor bolts. Torque the bolts to 26 ft.-lbs. See Figure 4.
- Tighten the 4 mounting bracket bolts after achieving the desired viewing position relative to the visor. Slots in the brackets allow for adjustability to achieve your desired viewing position. See Figure 8.

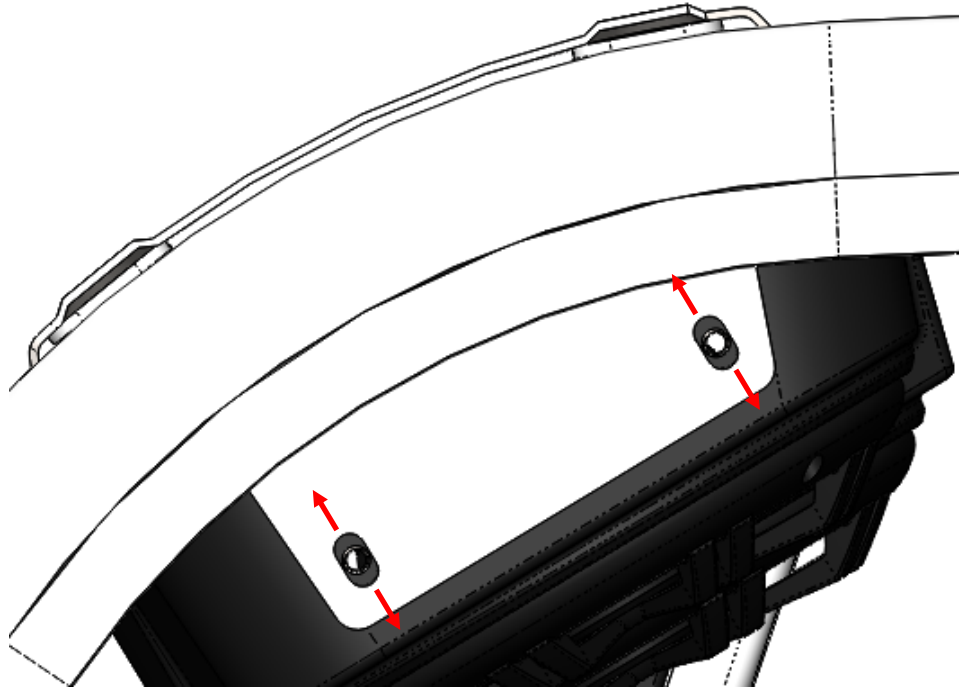


Figure 8: Up-down adjustability of the Audio Mini.

8. Reusing the factory bolts, install the two bolts through the *Audio Mini* brackets and visor into the roof. Tighten both bolts to secure the brackets to the visor and roof. See Figure 9. Note: Driver side shown. (Passenger side similar)

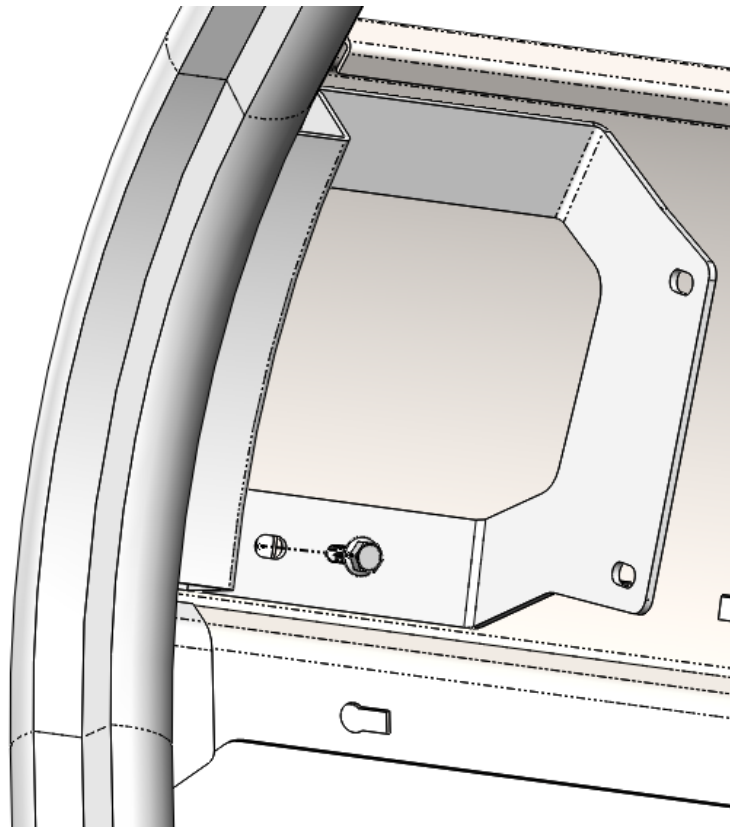


Figure 9: Install the bolts to secure the brackets and visor to the roof.

9. Remove the hood from the front of the vehicle by gently pulling towards the front of the vehicle to remove the 3 hood bosses and then lifting off the hood. See Figure 10.

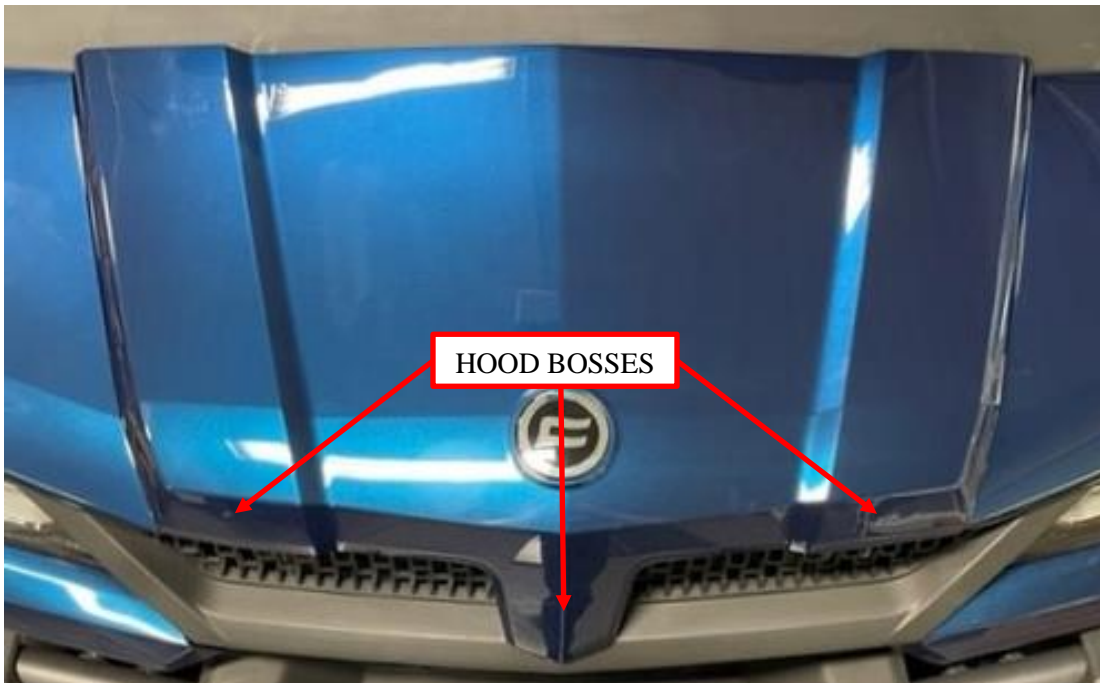


Figure 10: Remove the hood from the vehicle.

10. Remove the four screws from the hood area to route the chassis wiring harness. See Figure 11.



Figure 11: Remove the four screws.

11. Route the end of the chassis harness with the mating connector for the *Audio Mini* along with the wire bundle under the front body panel toward the driver's front down tube opening. See Figure 12.

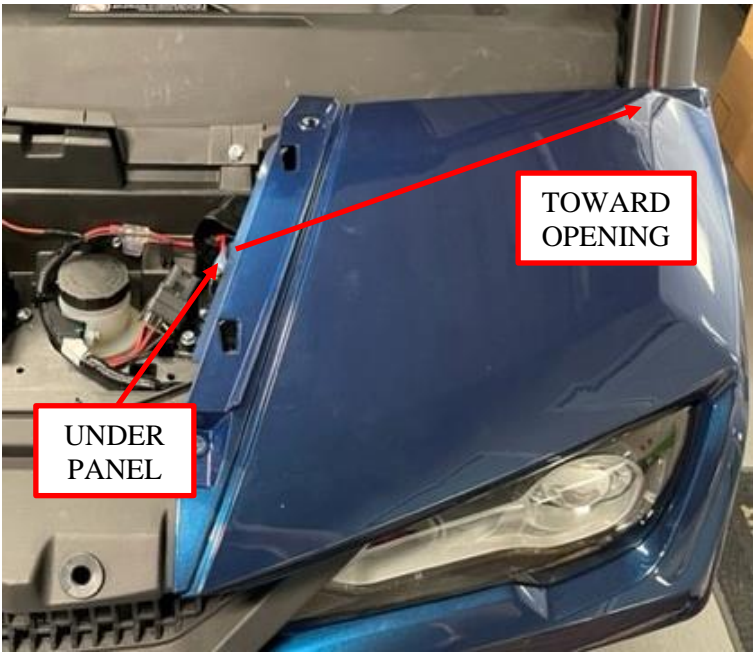


Figure 12: Chassis harness routing under body panel to opening.

12. Gently pull the chassis harness connector through the opening, and connect it to the mating connector on the *Audio Mini*. The harness will be secured to the cage tube at the end of the installation. See Figure 13.

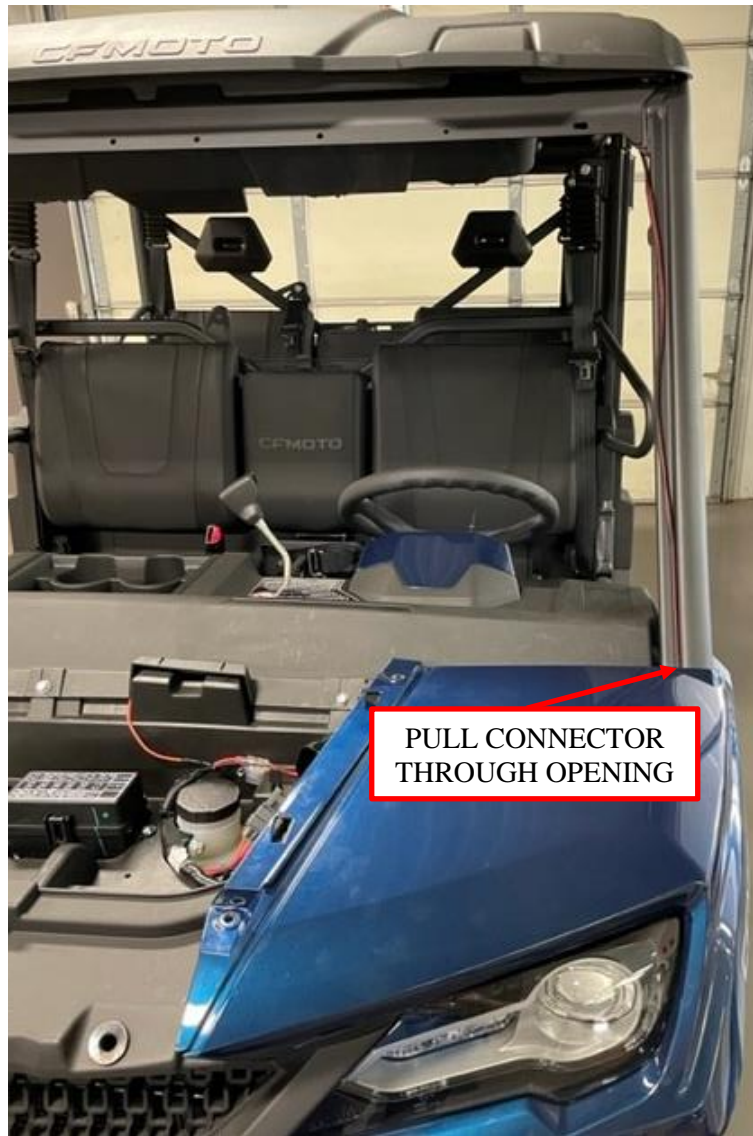


Figure 13: Chassis harness routing up the front down tube.

13. Route the orange ignition wire from the *Audio Mini* chassis harness between the plastic panels, towards the area under the dash. See Figure 14.



Figure 14: Accessory wire routing for ignition power source under the dash.

14. Remove the center sections of the dash to gain access to the factory harness connectors on the 12V power point. Gently pull to release the plastic clips in the areas shown. See Figure 15.

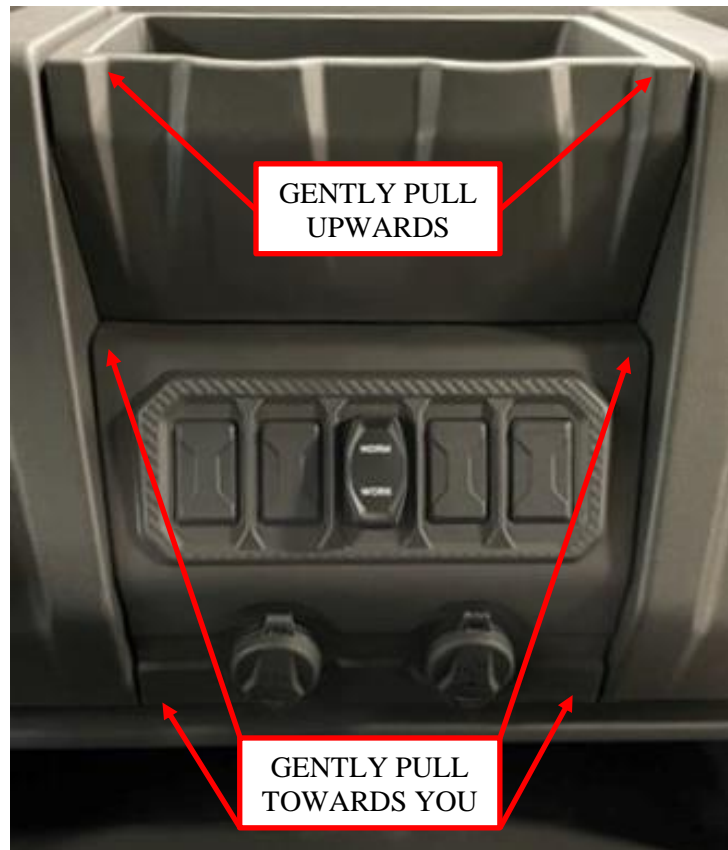


Figure 15: Remove the center sections of the dash.

15. Connect the Audio Mini chassis harness connectors on the orange ignition wire to the connectors on the 12V power point. Match the male and female connectors from the chassis harness to the factory harness. See Figure 16 and Figure 17.



Figure 16: Connect the chassis harness to 12V power point connectors.

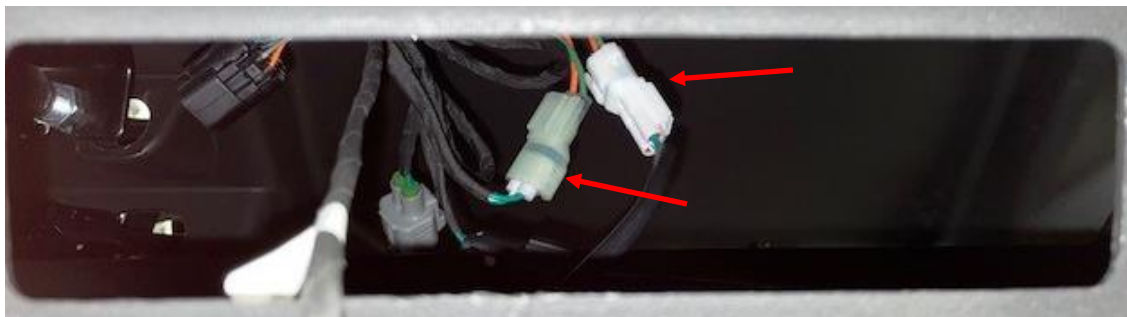


Figure 17: Connect the mating connectors from the chassis harness to the 12V power point.

16. Connect the chassis harness battery cables to the winch contactor, clamping the cables on top of the existing cables with the factory hardware. Connect the red harness wire to the terminal with the existing red battery cable (+ 12V). Connect the black harness wire to the terminal with the existing black battery cable (- 12V). Place the plastic contactor cover back over the cables once all connections are made. See Figure 18.

Note: Disconnect the negative battery cable before connecting the Audio Mini harness to avoid any electrical shorts while making connections.

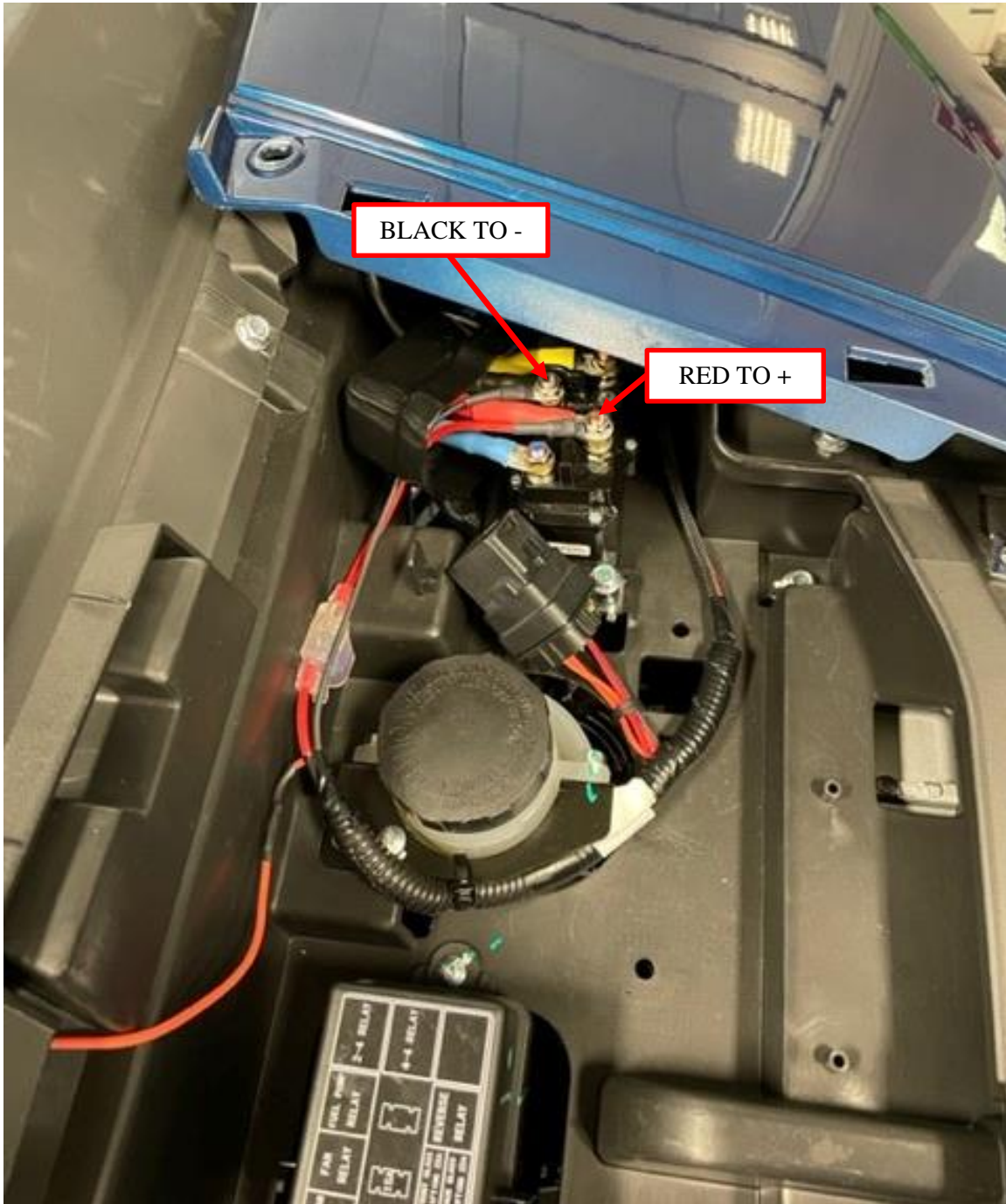


Figure 18: Winch contactor cable connections.

17. Zip tie the chassis harness under the hood, making sure to orient the relay upright as shown. Clean the cage surface with the provided alcohol wipe, and place zip ties and mounts at the indicated locations on the driver's front down tube. See Figure 19 and Figure 20. **Note: Apply the cable mounts in the recess of the down tube as shown if you do not have a windshield. If you have a windshield or plan to add one, apply the cable mounts to the inside of the down tube.**

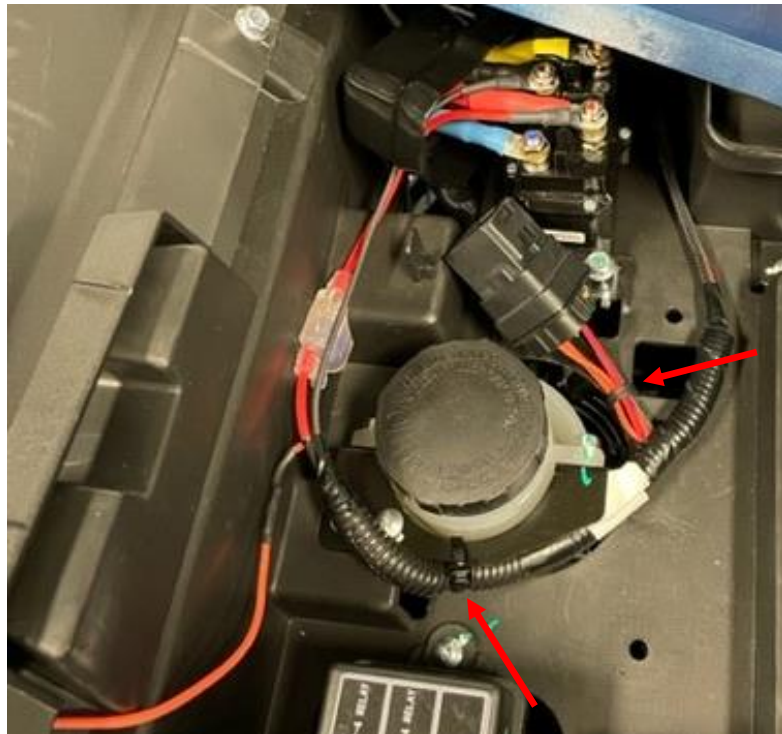


Figure 19: Secure the chassis harness under the hood.



Figure 20: Secure the chassis harness to the frame tube.

18. Reinstall the four screws and hood. See Figure 10, and Figure 11.

19. Reinstall the two center sections of the dash. See Figure 15.
20. You are now ready to enjoy the music and lighting provided by your *Audio Mini* off-road sound system. Basic operation works as follows:
- Turn the vehicle ignition switch on to power up the stereo system. (You must press the power button for first time connections or if the power was previously turned off manually.)
 - Press the source button on the stereo receiver to select the input source from AM/FM radio or Bluetooth.
 - Press and hold the menu button to access the Device Settings menu.
 - Use the Volume knob to change the values for each setting, and press it to confirm the setting.
 - Press and hold the Volume knob to access the Audio Settings menu.
 - Use the Volume knob to change the values for each setting, and press it to confirm the setting.
 - The dome light can be used with or without the vehicle's ignition switch on. Press the on/off switch to activate the light. **Warning: Extended use of the dome light or stereo without the vehicle's charging system functioning will deplete the battery and the engine may not start.**

To learn about the more advanced features and operation of your stereo, visit the Kicker website links found in SECTION 2 – About your Audio Mini sound system of this document.

Thank you for choosing the Hoppe *Audio Mini* off-road sound system for your CFMOTO UFORCE 1000 UTV. We hope you enjoy your new sound system and lighting. We invite you, in your travels, to stop by our manufacturing plant in Troup, Texas, for a factory tour and to meet the people who designed and manufactured your *Audio Mini* off-road sound system. This will also give you an opportunity to check out our sister companies



and our extensive line of trike conversions, automotive, motorcycle, and power sports accessories.

We believe you will be impressed by what you witness and the people you will meet.