

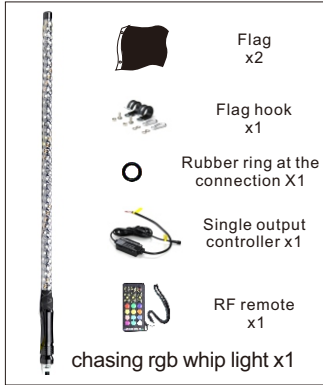


<https://www.whipitlightrods.com>

# WHAT'S INCLUDED

\*Box comes with (single pc)

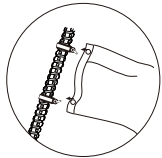
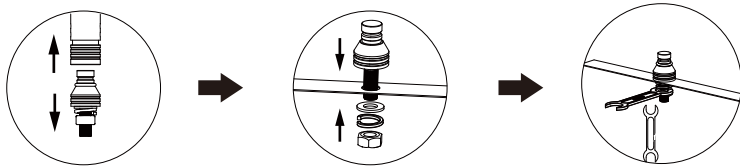
\*Box comes with (combo set)



## STEP#1

Mounting the led whip lights

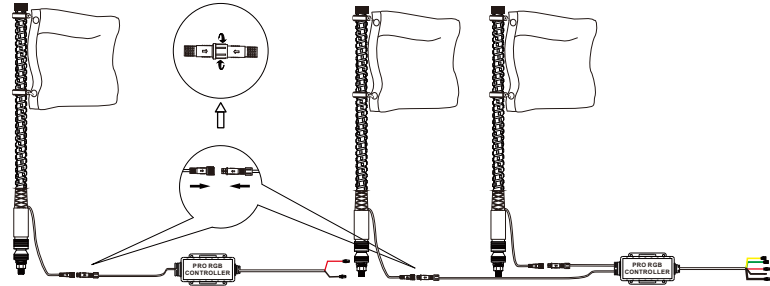
a: Mount the base in desired location, the base requires a 0.5" (13mm) mounting hole.



b: Put the flag into the LED whip's Hook

## STEP#2

. Plug-and-play the quick disconnect connectors on the whip light and PRO RGB controller. Please note that arrow must be inline to connect and then screw together.



## STEP#3

If you purchased single pc, please refer to the Wire Diagram #A  
If you purchased combo set, please refer to the Wire Diagram #B

### Wiring diagram #A

Diagram1: Wiring direct to Automotive fuse box and using APP or RF remote control to turn on/off. Need to add 10AMP fuse on red 12V+ wires.

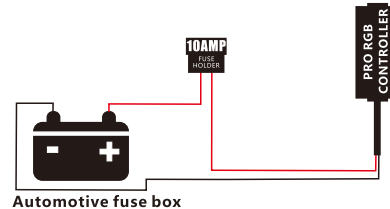
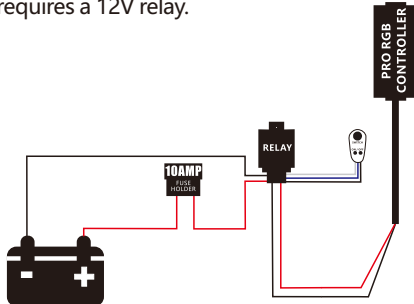


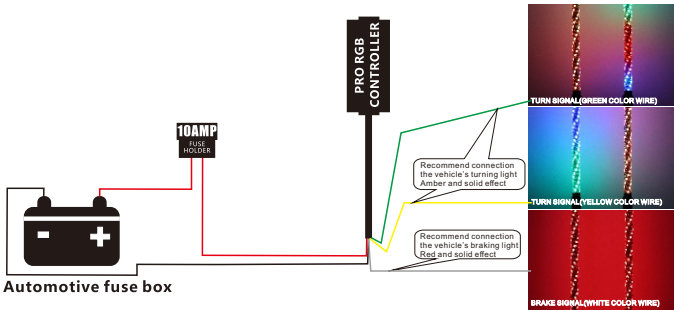
Diagram2: Wiring with a switch. You can add a new dedicated switch or use an existing light switch that outputs 12V+ when ON. You will need to add a 10AMP fuse on the RED 12V+ wire and also requires a 12V relay.



Automotive fuse box

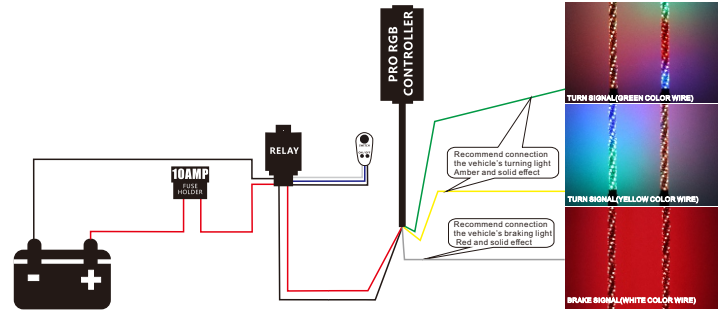
**Wiring diagram #B**

Diagram1: Wiring direct to Automotive fuse box and using APP or RF remote control to turn on/off. Need to add 10AMP fuse on red 12V+ wires.



Automotive fuse box

Diagram2: Wiring with a switch. You can add a new dedicated switch or use an existing light switch that outputs 12V+ when ON. You will need to add a 10AMP fuse on the RED 12V+ wire and also requires a 12V relay.



Automotive fuse box

**STEP#4**

Download application QR Code or go to Google or APP Store search for the application **PRO RGB** and download it **Please refer to the APP operation guide of the setting page in the APP**



Compatible With:  
IOS 7.0 Above  
Android 4.3 Above

