



INSTALLATION INSTRUCTIONS WINCH MOUNTING KIT

Part Number: 106204

Application: 2020 Polaris RZR PRO

GENERAL SAFETY PRECAUTIONS

Your safety, and the safety of others, is very important. To help you make informed decisions about safety, we have provided installation and operating instructions and other information on labels and in this guide. This information alerts you to potential hazards that could hurt you or others. It is not possible to warn you about all potential hazards associated with this product, you must use your own good judgment.

CARELESS INSTALLATION AND OPERATION CAN RESULT IN SERIOUS INJURY OR EQUIPMENT DAMAGE. READ AND UNDERSTAND ALL SAFETY PRECAUTIONS AND OPERATING INSTRUCTIONS BEFORE INSTALLING AND OPERATING THIS PRODUCT.

This guide identifies potential hazards and has important safety messages that help you and others avoid personal injury or death. WARNING and CAUTION are signal words that identify the level of hazard. These signal words mean:

▲WARNING signals a hazard that could cause serious injury or death, if you do not follow recommendations. **▲CAUTION** signals a hazard that may cause minor to moderate injury, if you do not follow recommendations.

This guide uses **NOTICE** to call attention to important mechanical information, and Note: to emphasize general information worthy of special attention.

▲ WARNING

Impact and Moving Parts Entanglement Hazard

FAILURE TO OBSERVE THESE INSTRUCTIONS COULD LEAD TO SEVERE INJURY OR DEATH

- **Always** Know Your Winch. Take time to fully read the Instructions and/or Operations Guide, and/or Basic Guide to Winching Techniques, in order to understand your winch and its operations.
- **Never** work under vehicle before properly securing vehicle.
- **Always** use appropriate and adequate care in lifting components into place.
- **Never** work under vehicle before properly securing vehicle.
- **Always** use appropriate and adequate care in lifting components into place.
- **Never** use a jack to support the vehicle.
- **Always** use jack stands in pairs to support the vehicle.
- **Always** use jacks or jack stands only on a hard, stable, and level surface.
- **Never** exceed the rated capacity of a jack or jack stands.
- **Always** verify that the parking brake is set, the transmission is in park (automatic) or reverse (manual) and the rear wheels are blocked before working on vehicle.
- **Never** work under vehicle before properly securing vehicle.
- **Always** use appropriate and adequate care in lifting components into place.
- **Always** insure components will remain secure during installation and operation.
- **Always** tighten all nuts and bolts securely, per the installation and operation.
- **Always** perform regular inspections and maintenance on the winch, winch mount and related hardware.
- **Always** replace all worn or damaged parts before operating.
- **Never** operate this WARN product with damaged or missing parts.
- **Always** use extreme caution when drilling on any vehicle. Make sure that all fuel lines, brake lines, electrical wires, and other objects are not punctured or damaged when / if drilling on the vehicle. Thoroughly inspect the area to be drilled (on both sides of material) prior to drilling, and relocate any objects that may be damaged. Failure to inspect the area to be drilled may result in vehicle damage, electrical shock, fire or personal injury.
- **Always** use extreme caution when cutting and trimming during fitting.
- **Always** wear safety glasses when installing this kit. A drilling operation will cause flying metal chips. Flying chips can cause eye injury.
- **Always** remove jewelry and wear eye protection.
- **Never** lean over battery while making connections.
- **Never** route electrical cables across any sharp edge, through or near moving parts, near parts that become hot.

Read installation and operating instructions thoroughly.

WARN INDUSTRIES, INC. 12900 S.E. Capps Road,
Clackamas, OR USA 97015-8903, 1-503-722-1200, FAX: 1-503-722-3000
Customer Service: 1-800-543-9276
Dealer Locator Service: 1-800-910-1122
International Sales/Customer Service: 1-503-722-3008
International Fax: 1-503-722-3005

⚠ CAUTION

Moving Parts Entanglement Hazard

FAILURE TO OBSERVE THESE INSTRUCTIONS COULD LEAD TO MINOR OR MODERATE INJURY

- Part edges may be sharp!
- Always use proper posture / lifting technique or get lifting assistance while handling and installing product.

Read installation and operating instructions thoroughly.

TABLE OF CONTENTS

Tools Required.....	page 2
Torque Specifications.....	page 2
Parts List.....	page 3
Installation.....	page 4-6
Maintenance/Care.....	page 6

BEFORE YOU BEGIN

** This kit is designed to use VRX long and short drum winches only*

TOOLS REQUIRED

- Standard and Metric wrenches
- Standard and Metric sockets
- Ratchet
- Extension

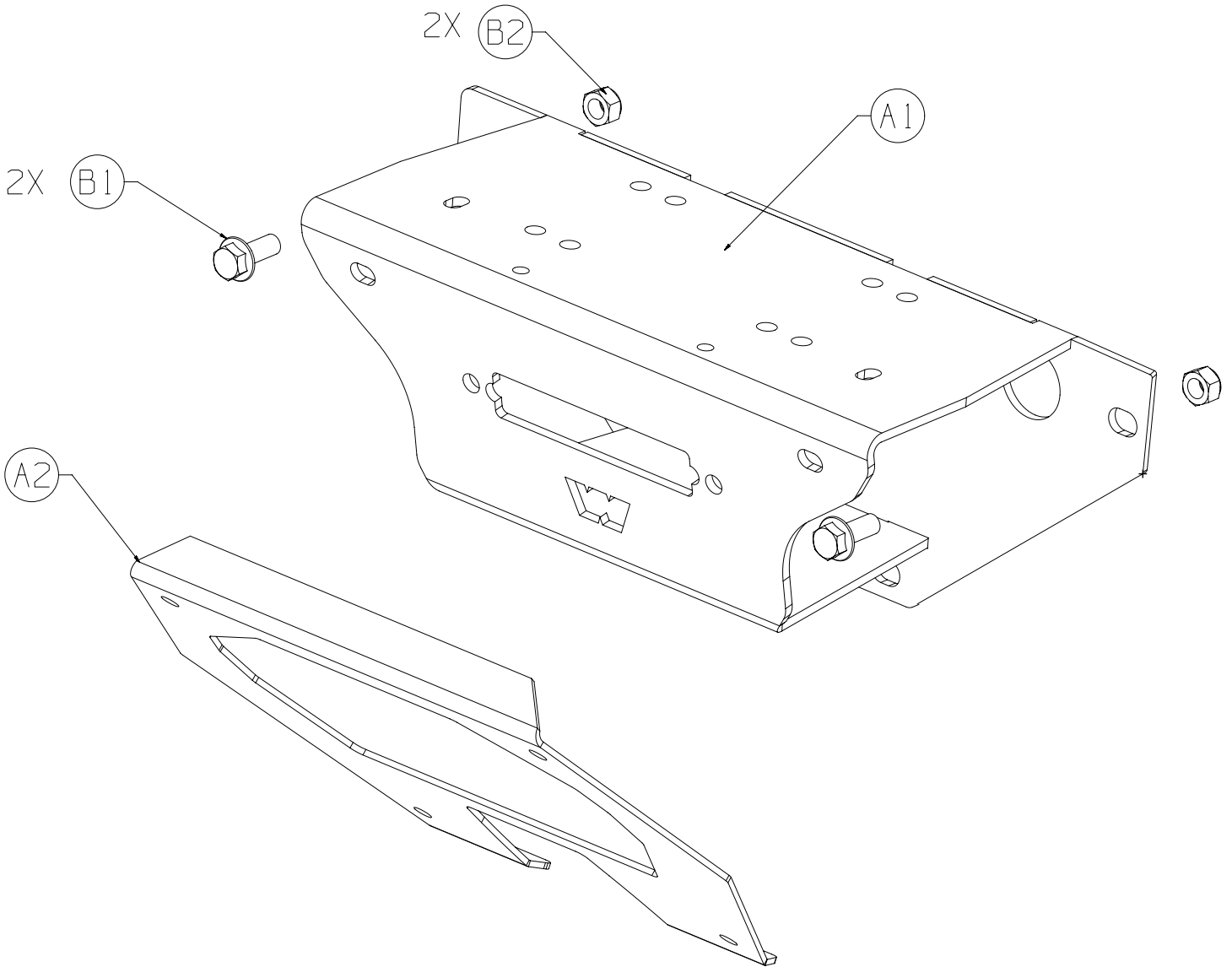
TORQUE SPECIFICATIONS

Please use the recommended torque specifications when assembling this product unless otherwise specified in the instructions.

FASTENER SIZE	FASTENER TORQUE		FASTENER SIZE	FASTENER TORQUE	
	lb-ft	(N.m)		lb-ft	(N.m)
1/4"	8	(11)	M4	(2)	3
5/16"	17	(23)	M5	(4.5)	6
3/8"	30	(40)	M6	(7.5)	10
7/16"	48	(66)	M8	(18)	25
1/2"	74	(100)	M10	(37)	50
9/16"	106	(144)			
5/8"	148	(200)			
3/4"	269	(364)			

PARTS LIST

ITEM	PN	DESCRIPTION	QTY	ITEM	PN	DESCRIPTION	QTY
A1	106278	WINCH MOUNT	1	B1	93078	M10 HEX HD BOLT	2
A2	106280	FACE PLATE	1	B2	69807	M10 NYLOCK NUT	2



INSTALLATION INSTRUCTIONS

1. Remove the center front plastic panel from bumper by removing the four torx head screws. *Retain hardware for reassembly.*



Figure 2

2. Remove the two torx head holding side corners of bumper to frame. *Retain hardware for reassembly.*



Figure 3

3. Remove the two push pull plastic fasteners. *Retain hardware for reassembly.*



Figure 4

INSTALLATION INSTRUCTIONS

4. Remove the four center hex head bolts securing bumper bracket and bull bar to vehicle and remove total assembly from the vehicle and set aside. **NOTE: Retain bolts for later use.**
5. Remove bull bar from bumper bracket and set aside. **NOTE: Retain bolts for later use.**



Figure 5

6. Attach your bull bar to the winch mount, using the factory hardware.
7. Install your fairlead to the winch mount (A1) using hardware supplied in the winch kit.



Figure 6

7. Slide your winch into the winch mount (feet up position). **NOTE: This will make the winch clutch handle on the passenger side of the vehicle when mount is installed on vehicle.**

TIP: We suggest installing your winch motor cables before you install the winch mount assembly to the vehicle.

8. Secure winch to mount following winch installation instructions.



Figure 7

INSTALLATION INSTRUCTIONS

- Secure top of the winch mount assembly to vehicle using the two M10 bolts (B1) and lock nuts (B2).
- Secure the bottom of the winch mount assembly using the four hex head factory bolts (*removed in step 4*).

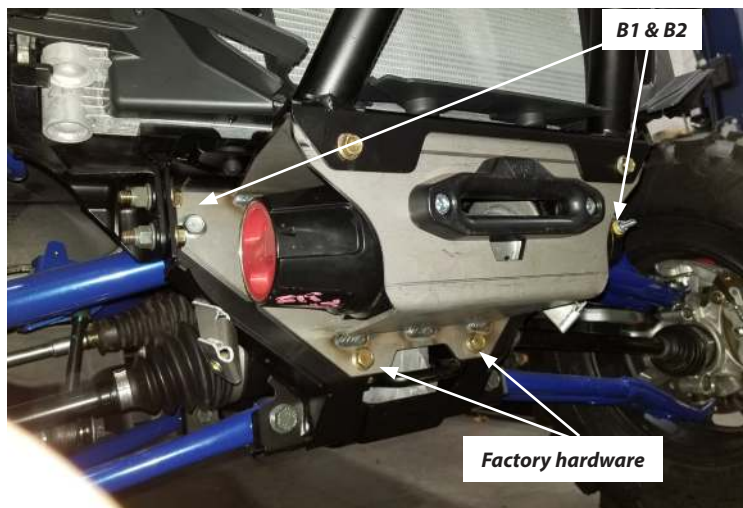


Figure 8

- Reinstall push pull fasteners.



Figure 9

- Reinstall front plastic and install face plate (A2) using factory hardware in step 1.
- Tighten **ALL** hardware at this time to torque specification on page 2.
- Complete your wiring per your winch installation instructions supplied with your winch.



Figure 9

MAINTENANCE / CARE

- Inspect all parts on the winch, winch mount, and related hardware prior to each use. Replace all hardware that appears rusted or deformed.
- Inspect all nuts and bolts on the winch, winch mount,, and related hardware prior to each use. Tighten all nuts that appear to be loose. Stripped, fractured, or bent bolts or nuts need to be replaced.
- Check all cables prior to use. Replace cables that look worn or frayed.
- Check all moving or rotating parts. Remove debris that may inhibit the part from moving freely.