



# INSTALLATION INSTRUCTIONS

## WINCH MOUNT KIT

Part Number: 102600

Application: 2019 HONDA TALON

### GENERAL SAFETY PRECAUTIONS

Your safety, and the safety of others, is very important. To help you make informed decisions about safety, we have provided installation and operating instructions and other information on labels and in this guide. This information alerts you to potential hazards that could hurt you or others. It is not possible to warn you about all potential hazards associated with this product, you must use your own good judgment.

**CARELESS INSTALLATION AND OPERATION CAN RESULT IN SERIOUS INJURY OR EQUIPMENT DAMAGE. READ AND UNDERSTAND ALL SAFETY PRECAUTIONS AND OPERATING INSTRUCTIONS BEFORE INSTALLING AND OPERATING THIS PRODUCT.**

This guide identifies potential hazards and has important safety messages that help you and others avoid personal injury or death. WARNING and CAUTION are signal words that identify the level of hazard. These signal words mean:

▲WARNING signals a hazard that could cause serious injury or death, if you do not follow recommendations. ▲CAUTION signals a hazard that may cause minor to moderate injury, if you do not follow recommendations.

This guide uses NOTICE to call attention to important mechanical information, and Note: to emphasize general information worthy of special attention.

### ▲ WARNING

#### IMPACT AND MOVING PARTS ENTANGLEMENT HAZARD

Failure to observe these instructions could lead to severe injury or death

- **Always** take time to fully read the Instructions and/or Operations Guide, and/or Basic Guide to Winching Techniques, in order to understand your winch and its operations.
- **Always** use extreme caution when drilling on any vehicle. Make sure that all fuel lines, brake lines, electrical wires, and other objects are not punctured or damaged when/if drilling on the vehicle. Thoroughly inspect the area to be drilled (on both sides of material) prior to drilling, and relocate any objects that may be damaged. Failure to inspect the area to be drilled may result in vehicle damage, electrical shock, fire or personal injury.
- **Always** wear safety glasses when installing this kit. A drilling operation will cause flying metal chips. Flying chips can cause eye injury.
- **Always** use extreme caution when cutting and trimming during fitting.
- **Always** remove jewelry and wear eye protection.
- **Never** lean over battery while making connections.
- **Never** route electrical cables:
  - o Across any sharp edges.
  - o Through or near moving parts.
  - o Near parts that become hot.
- **Always** insulate and protect all exposed wiring and electrical terminals.
- **Always** install terminal boots as directed in installation instructions.
- **Always** use appropriate and adequate care in lifting components into place.
- **Always** insure components will remain secure during installation and operation.
- **Always** tighten all nuts and bolts securely, per the installation instructions.
- **Always** perform regular inspections and maintenance on the plow mechanism, fasteners, cable and related hardware.
- **Always** replace all worn or damaged parts before operating.
- **Never** operate this WARN product with damaged or missing parts.

Read installation and operating instructions thoroughly.

WARN INDUSTRIES, INC. 12900 S.E. Capps Road,  
Clackamas, OR USA 97015-8903, 1-503-722-1200, FAX: 1-503-722-3000  
Customer Service: 1-800-543-9276  
Dealer Locator Service: 1-800-910-1122  
International Fax: 1-503-722-3005

## **⚠ CAUTION**

### **MOVING PARTS ENTANGLEMENT HAZARD**

**Failure to observe these instructions could lead to minor or moderate injury**

- **Always** take time to fully read and understand the installation and Operations Guide included with this product.
- **Never** operate this product if you are under 16 years of age.
- **Never** operate this product when under the influence of drugs, alcohol or medications.

**Read installation and operating instructions thoroughly.**

## **NOTICE**

### **EQUIPMENT DAMAGE**

- **Always** refer to the Installation and Specification Guide, supplied in the winch kit, for all wiring schematics and specific details on how to wire this WARN product to your vehicle.

**Read installation and operating instructions thoroughly.**

## **NOTES**

## **BEFORE YOU BEGIN**

## **TABLE OF CONTENTS**

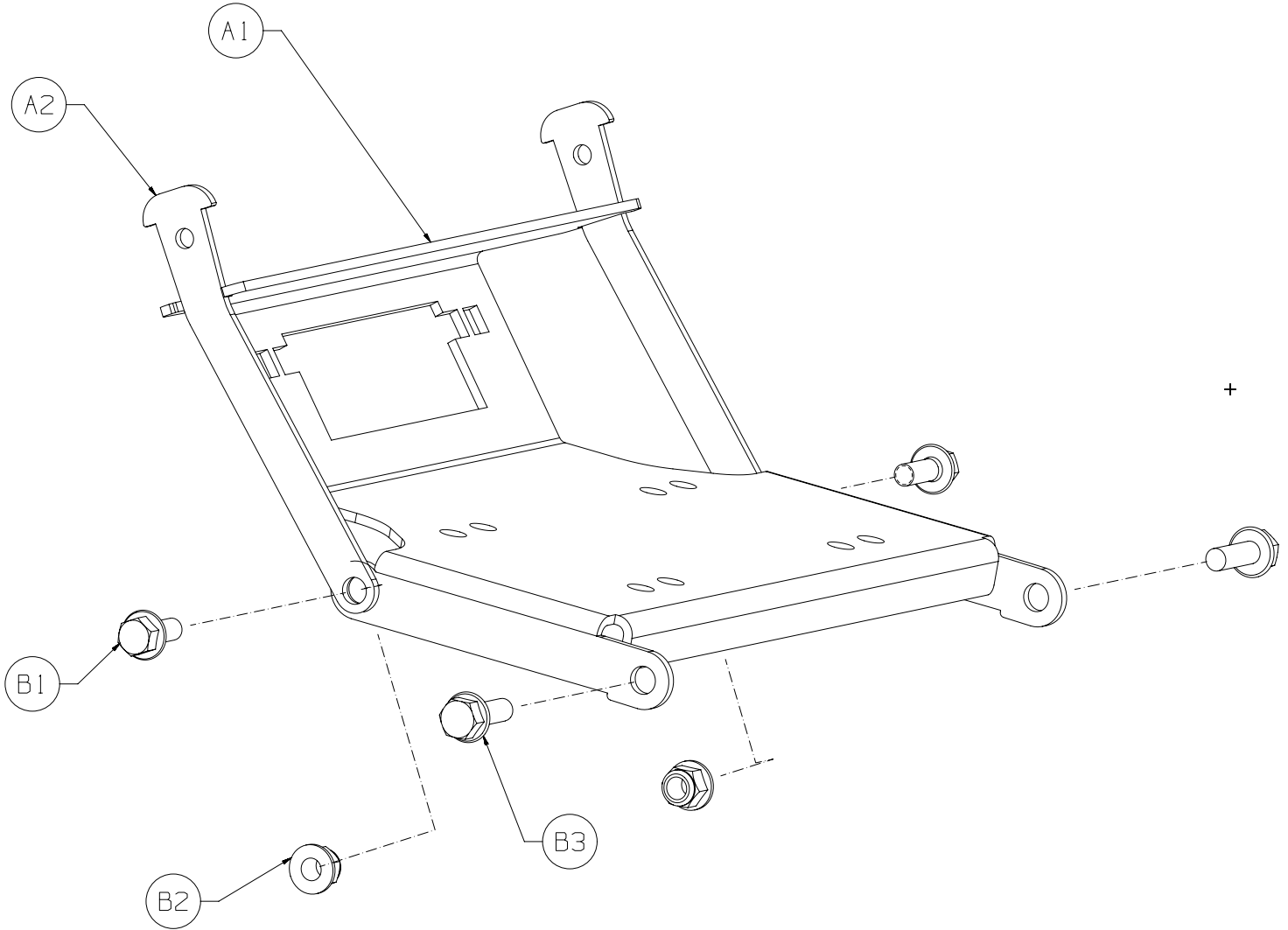
Tools Required .....	page 2
Parts List.....	page 3
Torque Specifications.....	page 3
Installation .....	page 4-5
Maintenance/Care.....	page 6

## **TOOLS REQUIRED**

- T30 Torx Bit
- Metric Wrench/Socket Set
- Ratchet Wrench
- Ratchet Extension
- Torque Wrench

## PARTS LIST

ITEM	PART NUMBER	DESCRIPTION	QTY
A1	102595	WINCH MOUNTING PLATE	1
A2	102596	WINCH MOUNT STRAP	2
B1	99248	M8 X 20MM HEX HEAD BOLT	2
B2	71588	M8 LOCK NUT	2
B3	65970	M8 X 25MM HEX BOLT	2



## TORQUE SPECIFICATIONS

Please use the recommended torque specifications when assembling this product unless otherwise specified in the instructions.

FASTENER SIZE	FASTENER TORQUE		FASTENER SIZE	FASTENER TORQUE	
	lb-ft	(N.m)		(2)	3
1/4"	8	(11)	M4	(4.5)	6
5/16"	17	(23)	M6	(7.5)	10
3/8"	30	(40)	M8	(18)	25
7/16"	48	(66)	M10	(37)	50
1/2"	74	(100)			
9/16"	106	(144)			
5/8"	148	(200)			
3/4"	269	(364)			

# INSTALLATION INSTRUCTIONS



Figure 1

1. Remove the bumper by removing the two torx head screws, two upper M8 hardware and one lower M8 hardware from each side of vehicle.
2. Slide bumper forward while carefully leveraging the plastic out of the way.

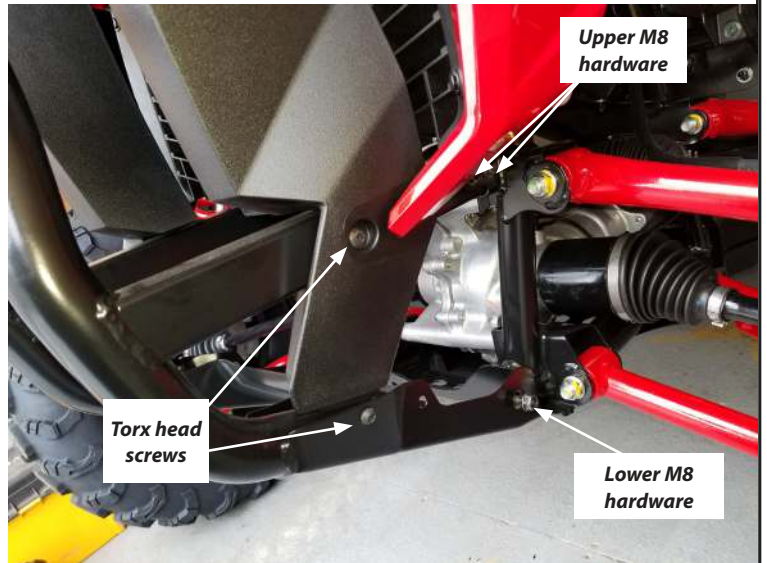


Figure 2

3. Install the fairlead to the winch mounting plate (A1) with hardware from your winch kit.
4. Place your winch upside down (feet facing up).
5. Set winch mounting plate on winch, lining up holes with winch feet.
6. Secure winch mounting plate to the winch using the winch install instructions and mounting hardware supplied in your winch kit.

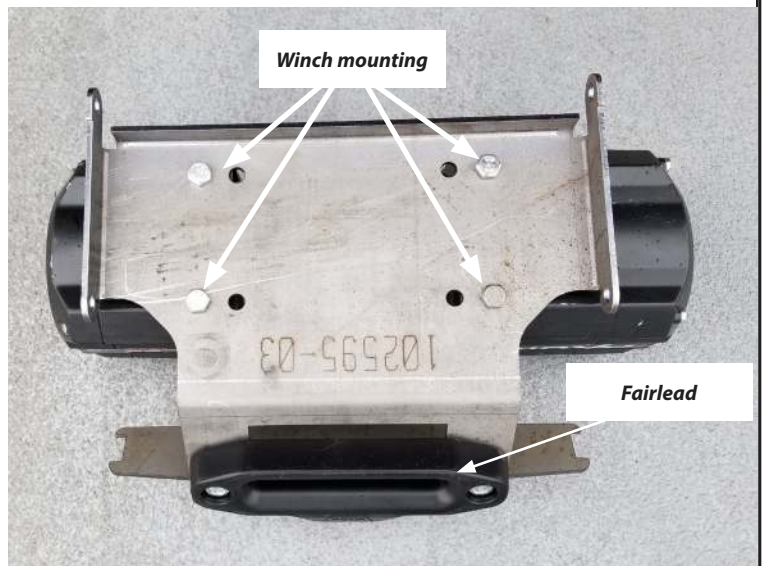


Figure 3



## INSTALLATION INSTRUCTIONS

- Slide the winch mount assembly onto the bumper, aligning the front two holes of the mounting plate with the holes in the bumper.

**TIP: It may be easier to attach winch cables to winch before proceeding.**

- Install the flanged end of a winch mounting strap (A2) through the tab on the bumper.
- Align the other end of the winch mounting strap to the front holes on the winch mount and secure using the M8 x 20 bolt (B1) and lock nut (B2).
- Repeat steps 8 and 9 for other side.

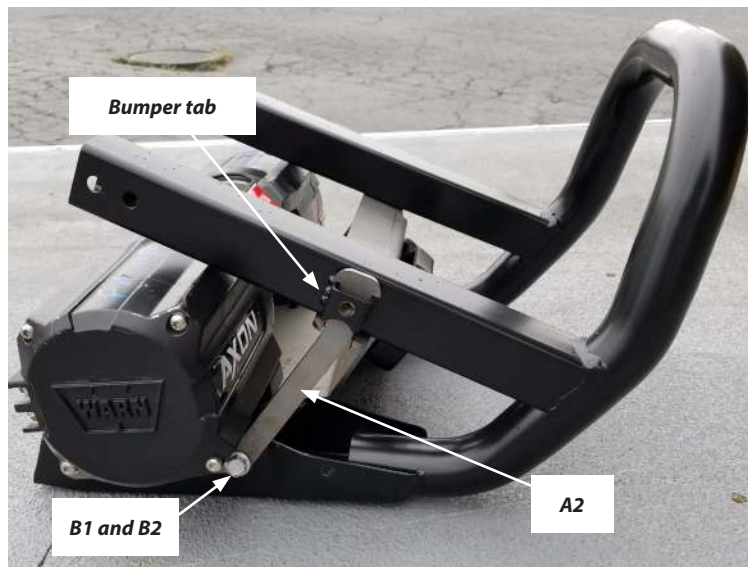


Figure 4

- With assistance, slide the bumper/winch assembly back over the frame, while leveraging the plastic back into position.
- Reinstall the two factory torx head screws through vehicle plastic, upper winch mounting strap and bumper tab hole.
- Install the two upper factory hardware to original position.
- Secure the rear portion of winch mounting plate using the longer M8 x 25 bolt (B3).
- Repeat steps 12-14 for other side.

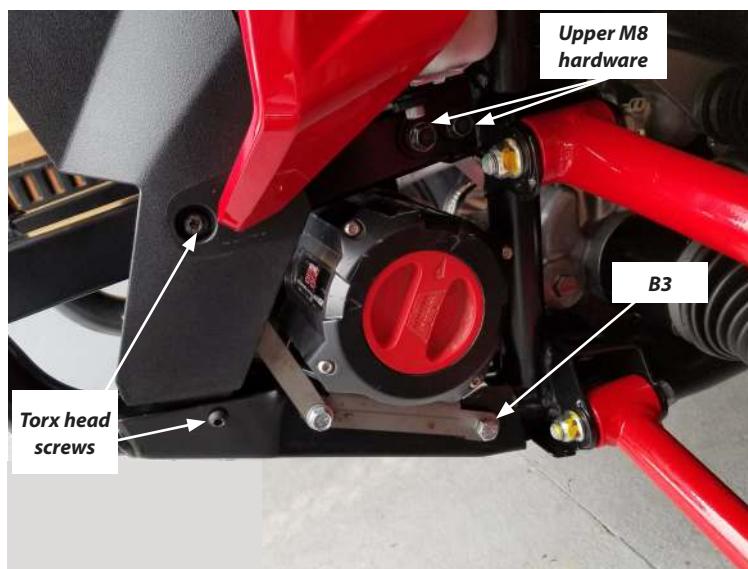


Figure 5

- Tighten all hardware now to torque specifications.
- Complete wiring the winch using your winch kit instructions.



Figure 6

## MAINTENANCE / CARE

1. Inspect all parts on the winch, winch mount, and related hardware prior to each use. Replace all hardware that appears rusted or deformed.
2. Inspect all nuts and bolts on the winch, winch mount,, and related hardware prior to each use. Tighten all nuts that appear to be loose. Stripped, fractured, or bent bolts or nuts need to be replaced.
3. Check all cables prior to use. Replace cables that look worn or frayed.
4. Check all moving or rotating parts. Remove debris that may inhibit the part from moving freely.

**CARELESS INSTALLATION AND OPERATION CAN RESULT IN SERIOUS INJURY OR EQUIPMENT DAMAGE. READ AND UNDERSTAND ALL SAFETY PRECAUTIONS AND OPERATING INSTRUCTIONS BEFORE INSTALLING AND OPERATING THIS PRODUCT.**

