



INSTALLATION INSTRUCTIONS

WINCH MOUNT KIT

Part Number: 100878

Application: Polaris Sportsman XP, SP, X2 Touring

GENERAL SAFETY PRECAUTIONS

Your safety, and the safety of others, is very important. To help you make informed decisions about safety, we have provided installation and operating instructions and other information on labels and in this guide. This information alerts you to potential hazards that could hurt you or others. It is not possible to warn you about all potential hazards associated with this product, you must use your own good judgment.

CARELESS INSTALLATION AND OPERATION CAN RESULT IN SERIOUS INJURY OR EQUIPMENT DAMAGE. READ AND UNDERSTAND ALL SAFETY PRECAUTIONS AND OPERATING INSTRUCTIONS BEFORE INSTALLING AND OPERATING THIS PRODUCT.

This guide identifies potential hazards and has important safety messages that help you and others avoid personal injury or death. **WARNING** and **CAUTION** are signal words that identify the level of hazard. These signal words mean:

▲WARNING signals a hazard that could cause serious injury or death, if you do not follow recommendations. **▲CAUTION** signals a hazard that may cause minor to moderate injury, if you do not follow recommendations.

This guide uses **NOTICE** to call attention to important mechanical information, and **Note:** to emphasize general information worthy of special attention.

▲ WARNING

IMPACT AND MOVING PARTS ENTANGLEMENT HAZARD

Failure to observe these instructions could lead to severe injury or death

- **Always** take time to fully read the Instructions and/or Operations Guide, and/or Basic Guide to Winching Techniques, in order to understand your winch and its operations.
- **Always** use extreme caution when drilling on any vehicle. Make sure that all fuel lines, brake lines, electrical wires, and other objects are not punctured or damaged when/if drilling on the vehicle. Thoroughly inspect the area to be drilled (on both sides of material) prior to drilling, and relocate any objects that may be damaged. Failure to inspect the area to be drilled may result in vehicle damage, electrical shock, fire or personal injury.
- **Always** wear safety glasses when installing this kit. A drilling operation will cause flying metal chips. Flying chips can cause eye injury.
- **Always** use extreme caution when cutting and trimming during fitting.
- **Always** remove jewelry and wear eye protection.
- **Never** lean over battery while making connections.
- **Never** route electrical cables:
 - o Across any sharp edges.
 - o Through or near moving parts.
 - o Near parts that become hot.
- **Always** insulate and protect all exposed wiring and electrical terminals.
- **Always** install terminal boots as directed in installation instructions.
- **Always** use appropriate and adequate care in lifting components into place.
- **Always** insure components will remain secure during installation and operation.
- **Always** tighten all nuts and bolts securely, per the installation instructions.
- **Always** perform regular inspections and maintenance on the plow mechanism, fasteners, cable and related hardware.
- **Always** replace all worn or damaged parts before operating.
- **Never** operate this WARN product with damaged or missing parts.

Read installation and operating instructions thoroughly.

WARN INDUSTRIES, INC. 12900 S.E. Capps Road,
Clackamas, OR USA 97015-8903, 1-503-722-1200, FAX: 1-503-722-3000
Customer Service: 1-800-543-9276
Dealer Locator Service: 1-800-910-1122
International Fax: 1-503-722-3005

⚠ CAUTION

MOVING PARTS ENTANGLEMENT HAZARD

Failure to observe these instructions could lead to minor or moderate injury

- **Always** take time to fully read and understand the installation and Operations Guide included with this product.
- **Never** operate this product if you are under 16 years of age.
- **Never** operate this product when under the influence of drugs, alcohol or medications.

Read installation and operating instructions thoroughly.

NOTICE

EQUIPMENT DAMAGE

- **Never** tow vehicle by attaching a tow bar to the eyelets on the bumper.
- **Never** attach tow bars directly to the bumper. Damage to bumper may occur. WARN bumpers are not designed to be used for flat towing. Consult with the manufacturer of your tow bar system for the proper vehicle tow bar brackets.

Read installation and operating instructions thoroughly.

TABLE OF CONTENTS

| | |
|----------------------------|----------|
| Tools Required..... | page 2 |
| Torque Specifications..... | page 2 |
| Parts List..... | page 3 |
| Installation..... | page 4-7 |
| Maintenance/Care..... | page 7 |

TOOLS REQUIRED

- Standard sockets
- Metric sockets
- Socket extension
- Ratchet

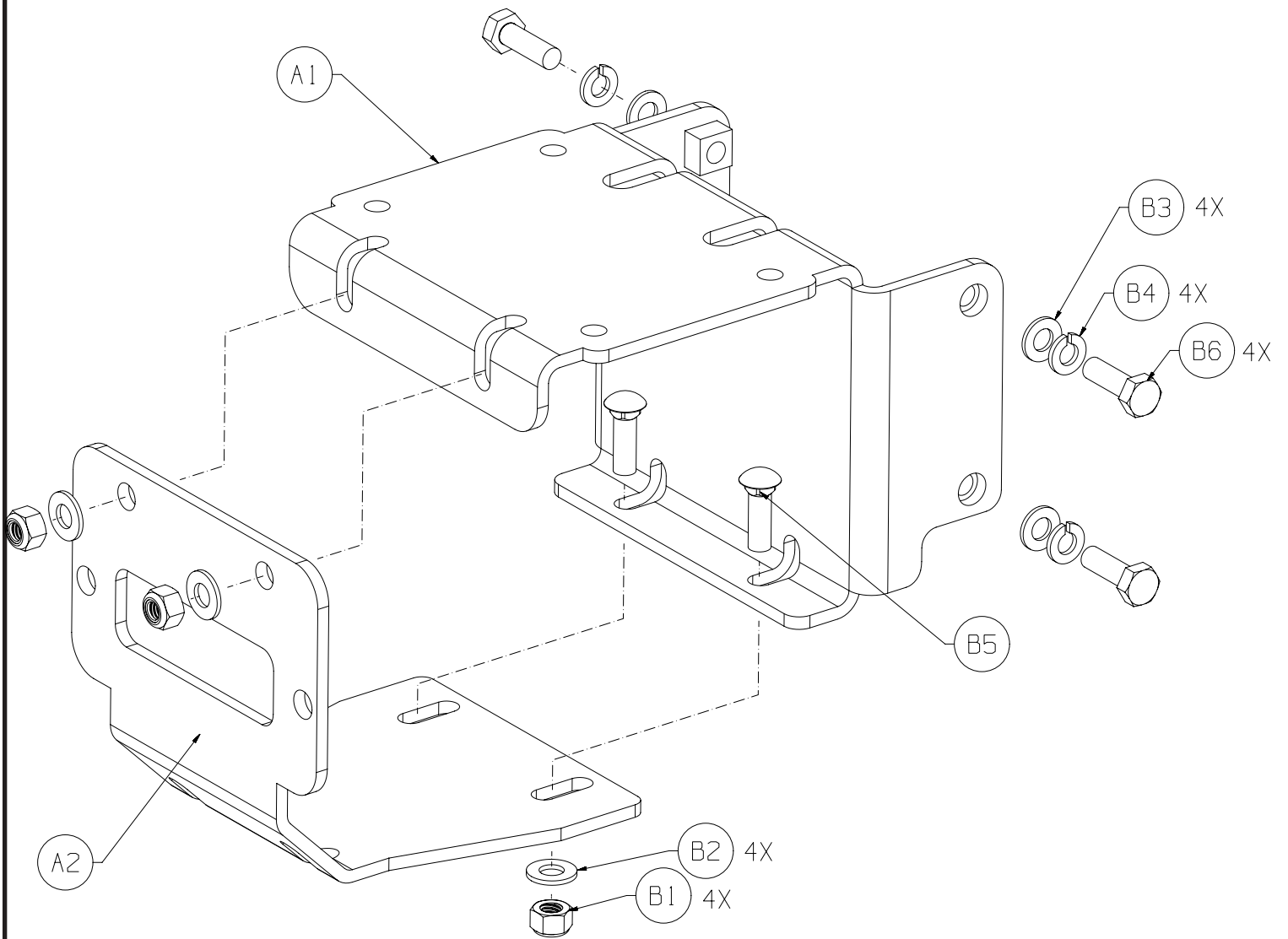
TORQUE SPECIFICATIONS

Please use the recommended torque specifications when assembling this product unless otherwise specified in the instructions.

| FASTENER SIZE | FASTENER TORQUE | | FASTENER SIZE | FASTENER TORQUE | |
|---------------|-----------------|-------|---------------|-----------------|-------|
| | lb-ft | (N.m) | | lb-ft | (N.m) |
| 1/4" | 8 | (11) | M4 | (2) | 3 |
| 5/16" | 17 | (23) | M5 | (4.5) | 6 |
| 3/8" | 30 | (40) | M6 | (7.5) | 10 |
| 7/16" | 48 | (66) | M8 | (18) | 25 |
| 1/2" | 74 | (100) | M10 | (37) | 50 |
| 9/16" | 106 | (144) | | | |
| 5/8" | 148 | (200) | | | |
| 3/4" | 269 | (364) | | | |

PARTS LIST

| ID | Part No. | Description | Qty. | ID | Part No. | Description | Qty. |
|----|----------|---------------------|------|----|----------|--------------------|------|
| A1 | 100896 | WINCH MOUNT BRACKET | 1 | B1 | 2002 | 5/16 NUT LOCKING | 4 |
| A2 | 100898 | FAIRLEAD BRACKET | 1 | B2 | 1324 | 5/16 FLAT WASHER | 4 |
| | | | | B3 | 93105 | M8 FLAT WASHER | 4 |
| | | | | B4 | 1402 | 5/16 LOCK WASHER | 4 |
| | | | | B5 | 7355 | 5/16 CARRIAGE BOLT | 4 |
| | | | | B6 | 22508 | M8 HEX HEAD BOLT | 4 |



INSTALLATION INSTRUCTIONS

1. Remove the front plastic along with the grill by remove the four hex head screws.



Figure 1

2. With front grill removed, it may be necessary to remove some of the surface weld which may interfere with placing the winch mount into place.



Figure 2

3. Remove just enough weld that it is even with the mounting flange from both sides.



Figure 3

4. Before installing the winch to the mount, insert the upper and lower carriage bolts (B5). **Refer to exploded view on page 3.**

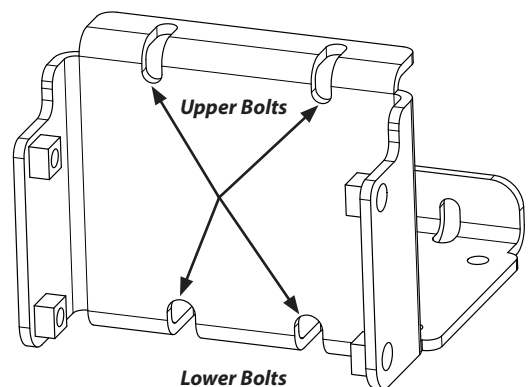


Figure 4

INSTALLATION INSTRUCTIONS

5. Slide winch into place and secure using hardware that came with your winch.



Figure 5

6. Attach the fairlead to fairlead bracket.



Figure 6

7. Secure fairlead bracket to winch mount.
8. Tighten all hardware (refer to page 2 for specifications).



Figure 7

9. The winch mount, winch, fairlead bracket and fairlead are now ready to install as one unit.



Figure 8

10. Slide the assembled winch unit into position (same area where you removed the welds).



Figure 9

11. Secure with remaining fasteners provided and tighten.



Figure 10

NOTE: For 570 Models: You will need to reverse the direction of bolts to allow for clearance. Figure 11.

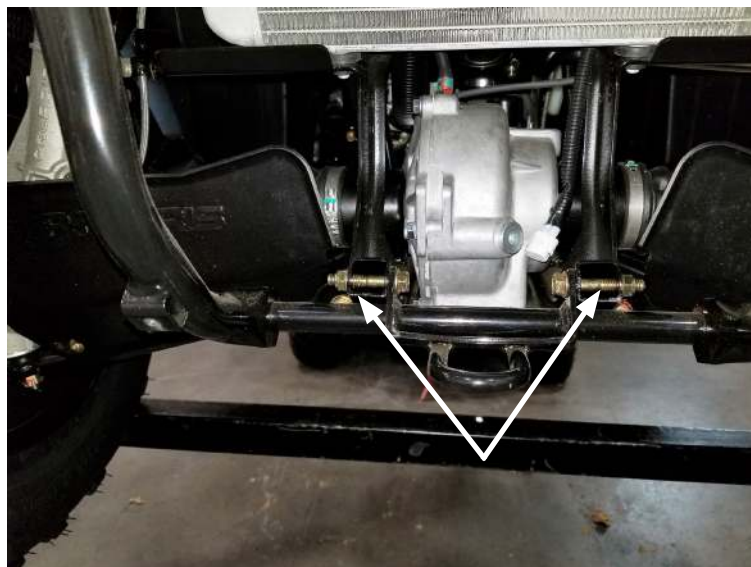


Figure 11

12. It may be necessary to trim the plastic to clear the bolts before reattaching the plastic.
13. To get the lower rear plastic over the tow hook, mark and trim plastic along the line shown in the photo.



NOTE: Some Sportsman ATV models will require the modification of front plastic.

NOTE: Depending on the model of winch you have, there may be other cutting necessary.

14. Reinstall plastic.

NOTE: If you are installing the Warn front plow mount you will need further trimming of the plastic. See the front plow mounting instruction for this procedure.

15. Your installation is now complete.



Figure 12



Figure 13

MAINTENANCE / CARE

1. Inspect all parts on the winch, winch mount, and related hardware prior to each use. Replace all hardware that appears rusted or deformed.
2. Inspect all nuts and bolts on the winch, winch mount and related hardware prior to each use. Tighten all nuts that appear to be loose. Stripped, fractured, or bent bolts or nuts need to be replaced.
3. Check all cables prior to use. Replace cables that look worn or frayed.
4. Check all moving or rotating parts. Remove debris that may inhibit the part from moving freely.