



**INSTALLATION INSTRUCTIONS / OWNER'S MANUAL:
AUDIO MINI
OFF-ROAD SOUND SYSTEM FOR HONDA TALON 1000 / TALON 1000-4
MODELS**

www.hoppeindustries.com
22667 FM 15 Troup, TX 75789
(262) 552-2770

Thank you for choosing the Hoppe *Audio Mini* off-road sound system. We hope you enjoy the off-road sound system, and we ask that you follow these instructions very closely. Doing so will save you time and ensure that your experience with the new *Audio Mini* is a positive one.

We strongly suggest that you read the complete instructions before beginning the installation process to eliminate the possibility of performing unnecessary work.

Having a safe and clean environment and using the proper tools is essential for a successful installation.

It is critical that proper eye wear, ear protection, and protective clothing is worn throughout the installation.

When you receive your *Audio Mini* off-road sound system, please check to ensure that all parts and hardware are included. If there are any parts missing or if you have any questions concerning the system at this time call Hoppe at (262)-552-2770 Mon-Thur. 8am-5pm CST, or you can email us at tech@hoppeindustries.com.

Hoppe reserves the right to change specifications, equipment, or designs at any time without notice and without incurring obligation.

TABLE OF CONTENTS

SECTION 1 – <i>Tools Required</i>	4
SECTION 2 – <i>About your Audio Mini sound system</i>	4
2.1 Applicable Year Models:	4
2.2 Audio Equipment Details:.....	4
2.3 Warranty:	5
2.4 Care and Maintenance:	5
2.5 Warnings:.....	6
SECTION 3 – <i>Pre-Installation Inspection</i>	7
SECTION 4 – <i>Installation</i>	8



SECTION 1 – Tools Required

- Socket wrench set
- Combination wrench set
- Wire cutters

In addition to the above items, you may need shop supplies such as electrical tape, wire ties, thread locking compound, etc.


SECTION 2 – About your Audio Mini sound system

2.1 Applicable Year Models:

This *Audio Mini* off-road sound system is designed to fit the following Honda Talon 1000 / Talon 1000-4 models:

- 2019-2021 Talon 1000 (all versions)
- 2020-2021 Talon 1000-4 (all versions)
- All versions means it includes sub models such as X, R, Special Edition, and Fox Live Valve.
- This system is compatible with most front full windshields and roofs.
- Accessories that mount overhead near the front of the roll cage such as rear view mirrors, wiper motors, etc. may not be compatible or may require modification. Contact Hoppe customer service for questions.

2.2 Audio Equipment Details:

Your *Audio Mini* off-road sound system is powered by  using their marine series audio equipment. This equipment is designed to function in all weather conditions with an IPX6 water resistance (powerful water jet) rating. The stereo is specifically engineered to provide excellent sound quality and volume in an open air environment so you can enjoy your music on the go.

To learn more details about your stereo system, you can access product information and manuals for the stereo equipment here:

- KMC2 receiver: <https://www.kicker.com/46KMC2>
- Speakers: <https://www.kicker.com/41KM604W>

You can feel free to crank up the volume without much worry of harming your system. However, it is wise to use a little common sense. If you hear any distortion, back off a little.

Use the equalizer settings in your KMC2 receiver to adjust the settings to your preferences.

2.3 Warranty:

Your *Audio Mini* comes equipped with a 1 year limited warranty covering the light, the stereo equipment, and the fiberglass enclosure. The date of warranty coverage will be determined by the registration date of the warranty card or online warranty registration.

<http://www.motortrike.com/TrikeAccWarranty.aspx>

If the warranty is not registered with Hoppe, the warranty period will begin when the Audio Mini was shipped from Hoppe's factory.

2.4 Care and Maintenance:

Your off-road sound system does not require any maintenance other than an occasional cleaning. To clean your audio system, simply hose off or power wash from a distance. If needed, use a mild automotive soap and sponge or brush. Use common sense. Do not use a high pressure power washer up close where it could cut, scar, or force water beyond the design intent of the enclosure, light, or stereo equipment.

There is an inline fuse, close to the end of the chassis harness where it connects to the winch power cables. It can be accessed by pulling the cap off of the fuse holder. There is also a mini 40 amp ignition relay built into the chassis harness next to the inline fuse. See Figure 1.

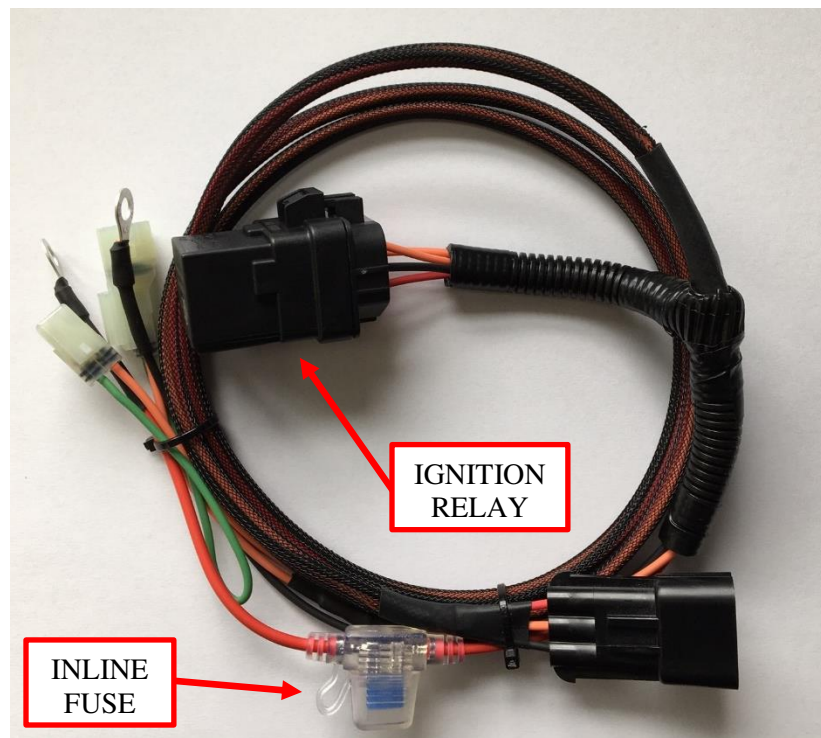


Figure 1: Fuse location.

- Fuse 1: 15 amp mini fuse for light / radio receiver power.

2.5 Warnings:

This off-road system adds up to 25 lbs. to your vehicle and is located up high on the roll cage. This increases the vehicle's center of gravity and changes the vehicle dynamics and handling characteristics. Use extra caution as you learn the driving characteristics of your vehicle with your new off-road sound system installed. High speed cornering, off camber or side hill, acceleration, and braking performance will be negatively impacted by the weight of the sound system.

Do not listen to your stereo at an uncomfortable volume for extended periods of time. Potential hearing loss may result.

SECTION 3 – Pre-Installation Inspection

Included in your off-road sound system are the following components:

- Pre-assembled *Audio Mini* off-road sound system (All speakers and electronics come preinstalled with interior wire harness.)
- Chassis wire harness
- Mounting brackets
- Hardware bag
- Zip ties

If any of the parts are missing, damaged, or you have any questions concerning them, please call Hoppe at (262)-552-2770 Mon-Thur. 8am-5pm CST.

In addition to accounting for all of the parts that you should receive with the top, you should inspect the vehicle in the following ways.

- Ensure that the vehicle is equipped with the factory roll cage, and the roll cage has not been bent out of shape in a roll over.
- Make sure the vehicle does not have any aftermarket accessories that are incompatible with the top.
- Make sure the battery is in good condition and holds a charge.
- Make sure the charging system is in good condition.

SECTION 4 – Installation

1. If you have a roof installed, you will need to remove the front two roof mounting bolts for the installation of your *Audio Mini*. Remove the bolts shown in Figure 2, and save them for reinstallation later. With the bolts removed, the *Audio Mini* bracket will slide between the roof and roll bar.



Figure 2: Remove front bolts attaching the roof to the frame.

2. Place the provided loop clamps in the approximate mounting locations on the outside roll bars. The *Audio Mini* brackets will rest on the loop clamps and be secured in the following steps. See Figure 3.

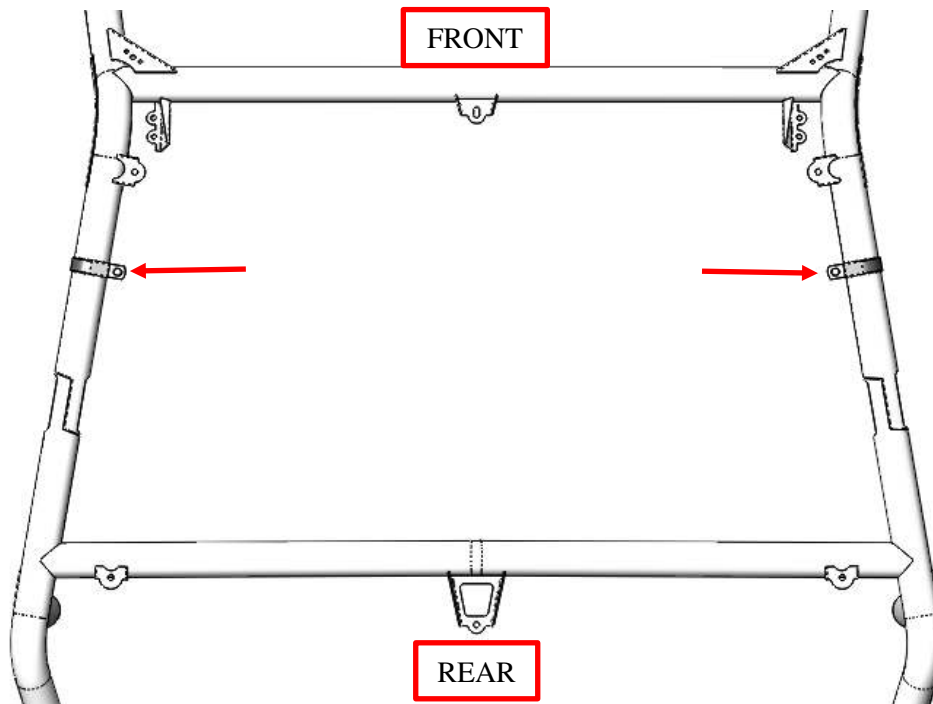


Figure 3: Approximate locations of the loop clamps.

3. Place the driver's side bracket on top of the loop clamp and roof mounting bracket. Verify correct orientation of the mounting bracket. See Figure 4. **Note: Driver side bracket shown. (Passenger side similar)**

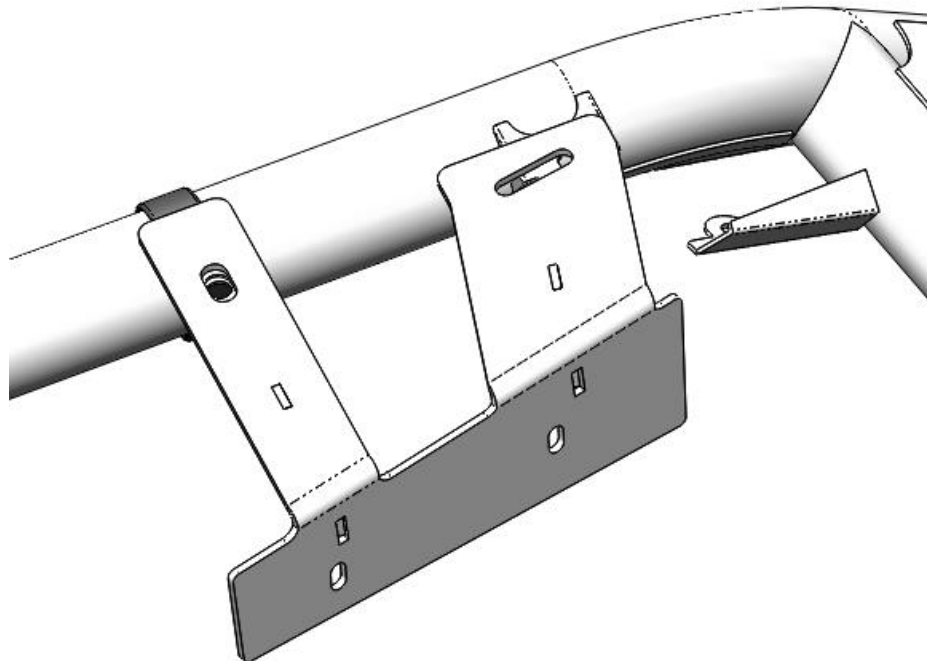


Figure 4: Mounting location of the *Audio Mini* bracket.

4. Use the supplied 3/8"-16 x 1" bolts, washers, and nylock nuts to secure the loop clamp to the mounting bracket. Lay the roof on top of the *Audio Mini* bracket

(location shown in Figure 5 below) and replace both the sleeve washer and roof mounting bolt. Snugly tighten both the loop clamp bolt and the roof mounting bolt, waiting to fully tighten until the *Audio Mini* is in the final desired position. See Figure 5.

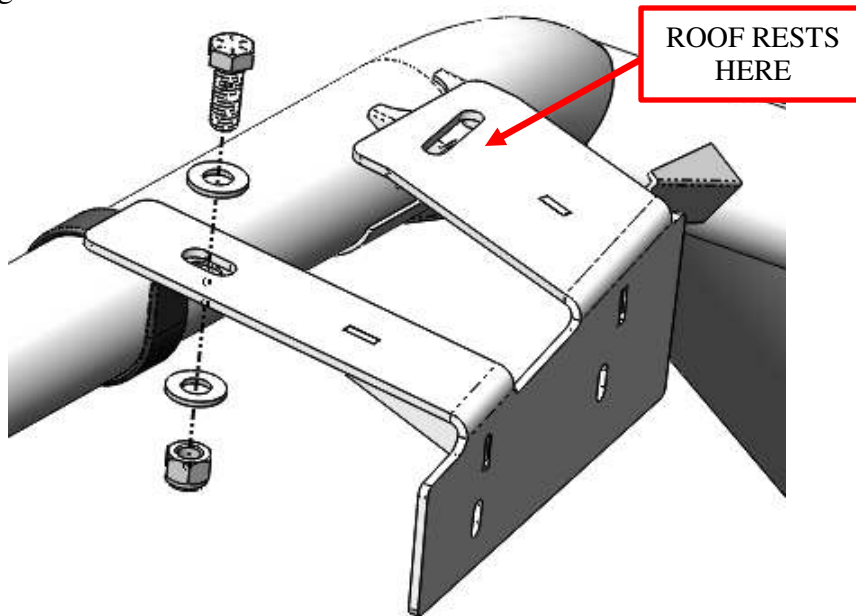


Figure 5: Hardware for mounting the loop clamps to the brackets.

5. Repeat Steps 3 and 4 for the passenger side bracket.
6. Remove the front hood from the front of the vehicle by lifting and rotating the lock knobs, lifting to release the 4 bosses, and sliding towards the front of the vehicle. See Figure 6.

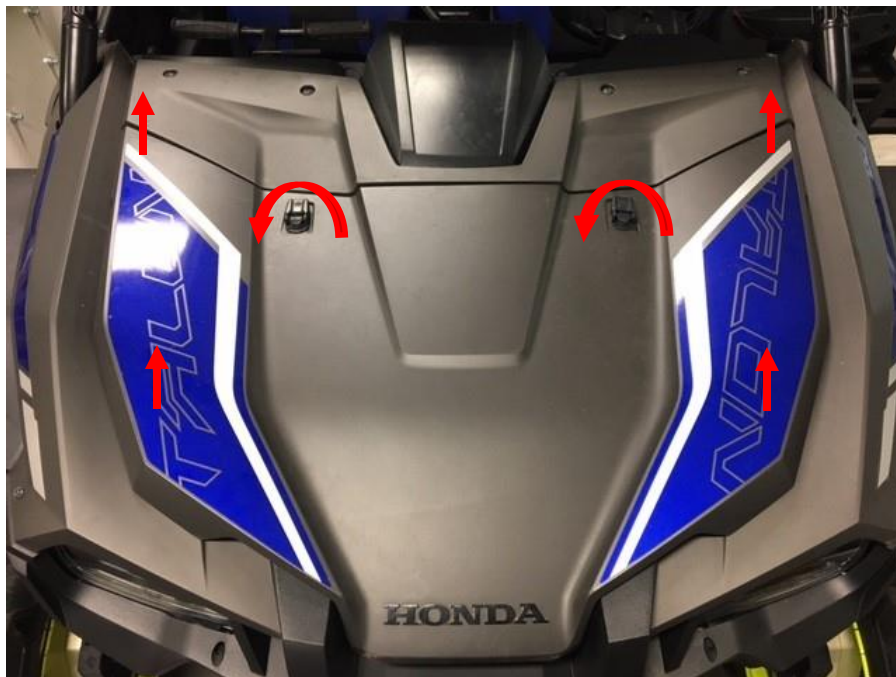


Figure 6: Remove the radiator hood access panel.

7. Fold down the rubber splash shield under the hood by popping out five of the plastic rivets and lifting it off of the three hooks. The plastic rivets are released by first prying the center head up, then pulling the entire rivet out. See Figure 7.

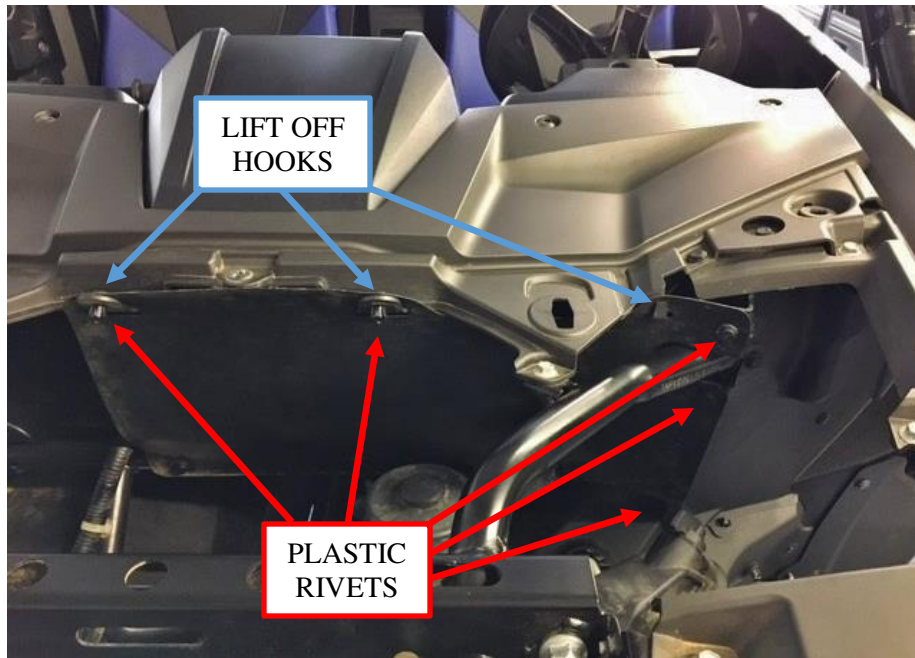


Figure 7: Remove the rivets to fold the rubber splash shield.

8. Under the rear section of the hood, locate the blue factory accessory connector on the frame tube. See Figure 8.



Figure 8: Factory accessory connector location.

- Unplug the factory accessory connector from the housing, and plug it into the mating male *Audio Mini* chassis connector. Plug the female *Audio Mini* chassis connector back into the factory housing on the frame tube. See Figure 9.
Note: The winch power cables are attached to the instrument panel next to the accessory connector, if you have not already installed a winch and contactor. These will be used in the following step.

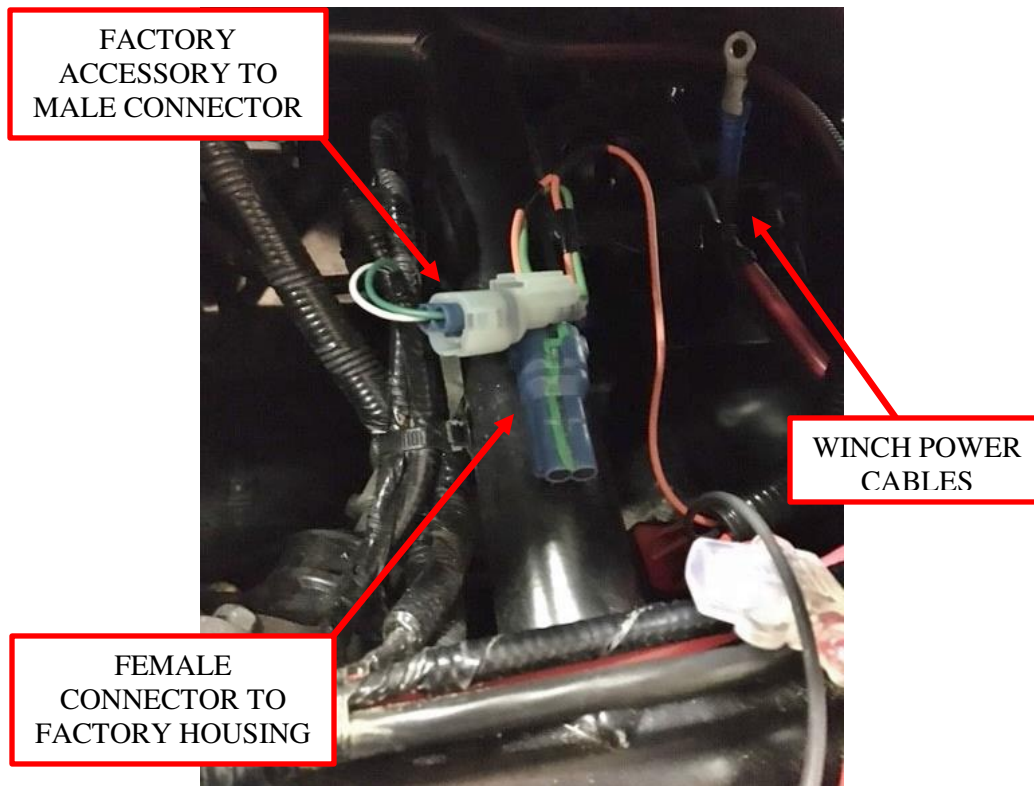


Figure 9: Connect to the accessory connector.

- Using the winch power cables shown in Figure 8 and Figure 9, use the ¼"-20 x ½" bolts and hardware to connect the black ground wire to the black (negative) ring terminal and the red power wire to the red (positive) ring terminal. Slide the provided insulators over the bolted ring terminals to prevent arcing or shorting of the power cables.
Note: If you have a winch contactor or busbar installed, connect the black and red wires to the corresponding terminals.
- Route the end of the chassis harness to the opening at the driver's front down tube, then route the harness up the frame tube as shown in Figure 10 and Figure 11. Loosely zip tie the harness at the indicated locations, leaving room for adjustment until the final position is achieved.



Figure 10: Chassis harness routing under hood to opening.



Figure 11: Chassis harness routing up driver's front down tube.

- The *Audio Mini* brackets are slotted for positioning of the unit once mounted (shown in detail below). Installers may choose to gain an additional inch of forward positioning of the *Audio Mini* by trimming a small gusset on the factory Honda roof as shown in Figure 12. Doing so will improve the line of site to the controls and make operation of the *Audio Mini* more comfortable for the rider and passenger. The plastic gusset can be trimmed with a combination of tools such as sheet metal sheers, a hand file, or a small powered grinder such as a Dremel tool to cut and smooth the edges.

Note: If you choose to trim your roof, do so now before you mount the *Audio Mini* onto the brackets.



Figure 12: Roof mount trim line to gain further clearance.

- Using an assistant to support the weight of the *Audio Mini*, connect the mating connector on the chassis harness to the harness exiting out of the top of the *Audio Mini* on the driver's side.
- Hang the *Audio Mini* off-road sound system on the brackets using the supplied $\frac{1}{4}$ "-20 x 1" bolts and washers (loosely tightened). See Figure 13 and Figure 14.

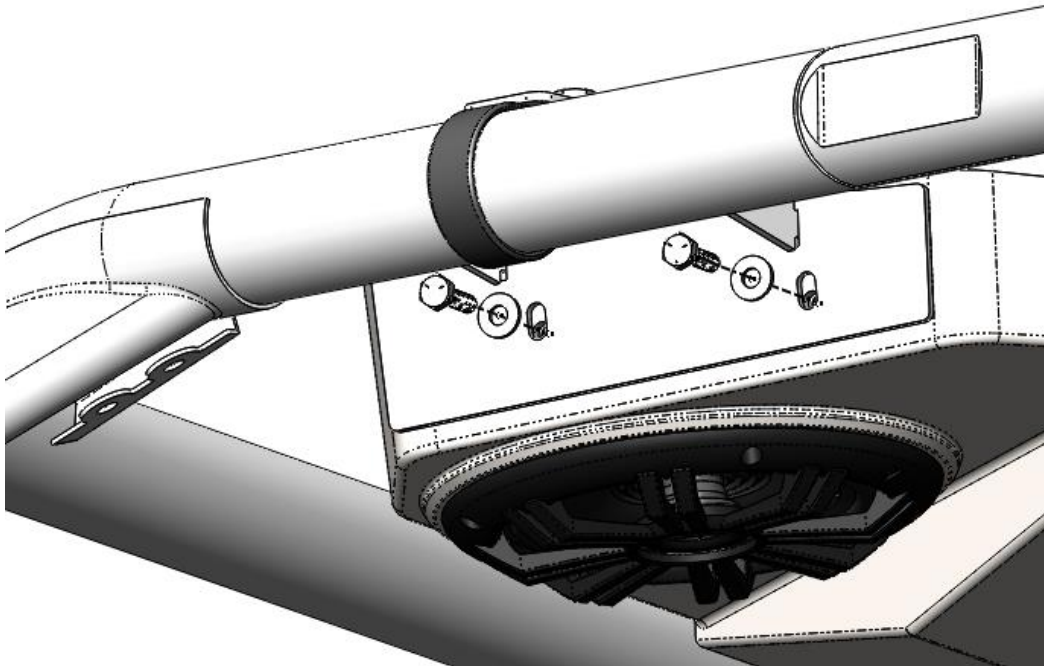


Figure 13: Install the 1/4"-20 bolts and washers to mount the Audio Mini to the brackets.

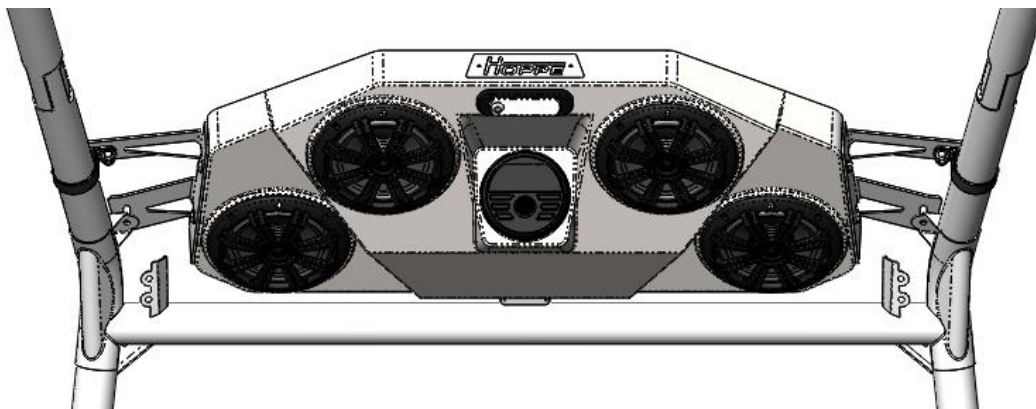


Figure 14: Loosely install the sound system on the mounting brackets.

15. Slots in the sides of *Audio Mini* brackets allow up-down movement, while the slots on the tops of the brackets allow front-back movement to achieve your desired viewing position. Slide the loop clamp on the tube with the bracket as you adjust front-to-back positioning. See Figure 15 and Figure 16. Tighten the front roof bolts, both loop clamp bolts, and the 4 mounting bracket bolts after achieving the desired viewing position.

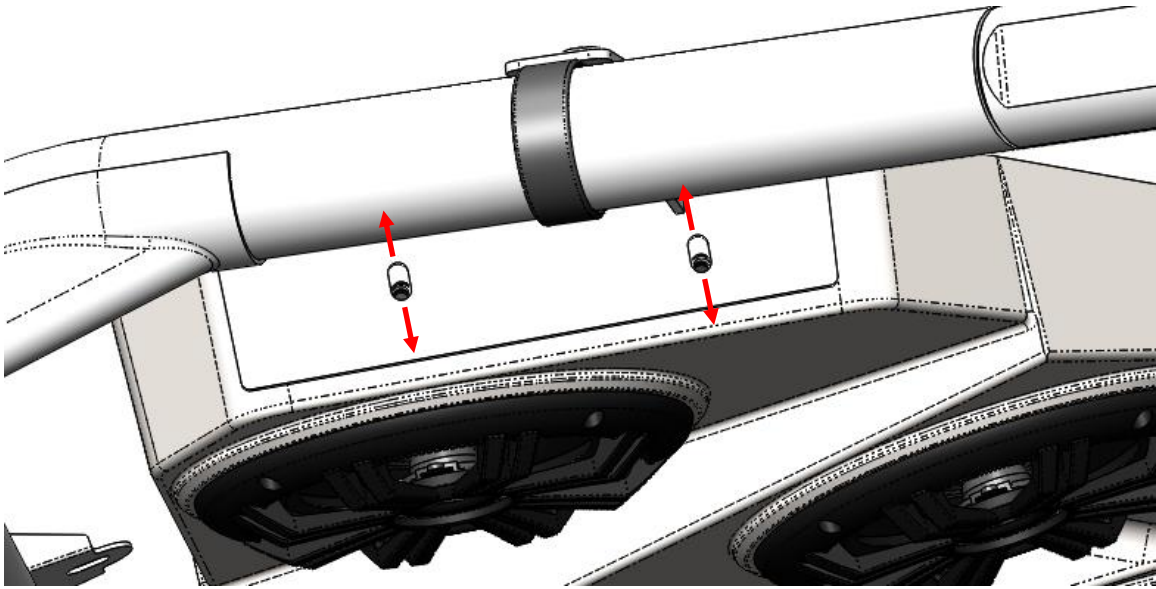


Figure 15: Adjustable up-down positioning of the Audio Mini.

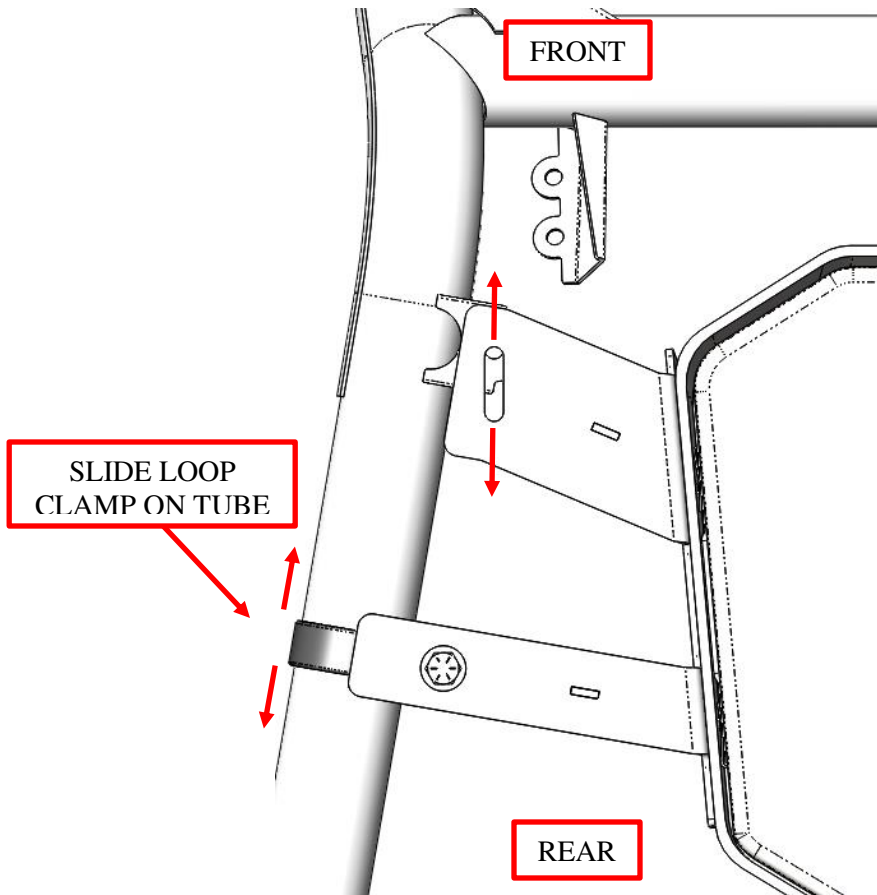


Figure 16: Adjustable front-back positioning of the Audio Mini.

16. Tighten all zip ties, and secure the chassis harness to the roll cage under the hood. Make sure the wires are secured away from any moving suspension components and the power connections are secured in the insulators not touching each other.

17. Reinstall the plastic rivets to secure the rubber splash shield, and reinstall the hood. See Figure 6 and Figure 7.
18. If you have not previously installed a winch or a busbar that utilizes the winch power cables under the front hood, you will need to connect the red winch power cable in the battery box under the driver's rear fender. See Figure 17.

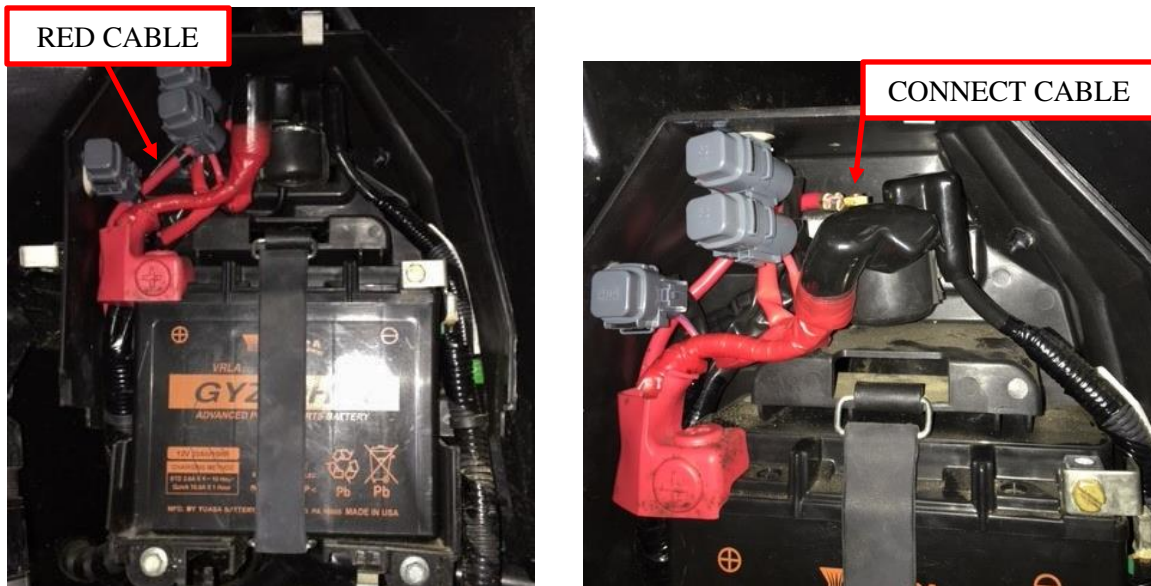


Figure 17: Connect the red winch power cable in the battery box.

19. You are now ready to enjoy the music and lighting provided by your *Audio Mini* off-road sound system. Basic operation works as follows:
 - Turn the vehicle ignition switch on to power up the stereo system. (You must press the power button for first time connections or if the power was previously turned off manually.)
 - Press the source button on the stereo receiver to select the input source from AM/FM radio or Bluetooth.
 - Press and hold the menu button to access the Device Settings menu.
 - Use the Volume knob to change the values for each setting, and press it to confirm the setting.
 - Press and hold the Volume knob to access the Audio Settings menu.
 - Use the Volume knob to change the values for each setting, and press it to confirm the setting.
 - The dome light can be used with or without the vehicle's ignition switch on. Press the on/off switch to activate the light. **Warning: Extended use of the dome light or stereo without the vehicle's charging system functioning will deplete the battery and the engine may not start.**

To learn about the more advanced features and operation of your stereo, visit the Kicker website links found in SECTION 2 – About your Audio Mini sound system of this document.

Thank you for choosing the Hoppe *Audio Mini* off-road sound system for your Honda Talon UTV. We hope you enjoy your new sound system and lighting. We invite you, in your travels, to stop by our manufacturing plant in Troup, Texas, for a factory tour and to meet the people who designed and manufactured your *Audio Mini* off-road sound system. This will also give you an opportunity to check out our sister companies



and our extensive line of trike conversions, automotive, motorcycle, and power sports accessories.

We believe you will be impressed by what you witness and the people you will meet.