



Made for first. Built to last.

DISCLAIMER:

PRODUCTS MADE BY L AND W FAB AND MACHINE INC. ARE INTENDED TO FIT YOUR STOCK UTV UNLESS OTHERWISE SPECIFIED. INSTALLING, MODIFYING, OR REMOVING ANY COMPONENTS (FACTORY OR AFTERMARKET) NOT SUPPORTED BY L AND W AND THE INSTRUCTIONS HEREIN WILL VOID YOUR WARRANTY. FOR MORE INFORMATION ON INSTALLATION, WARRANTY, OR PRODUCT USE PLEASE CALL US AT (770) 445-9778

Polaris RZR PRO XP ADJUSTABLE RADIUS RODS

Fitment: 2020-CURRENT PRO XP 64"

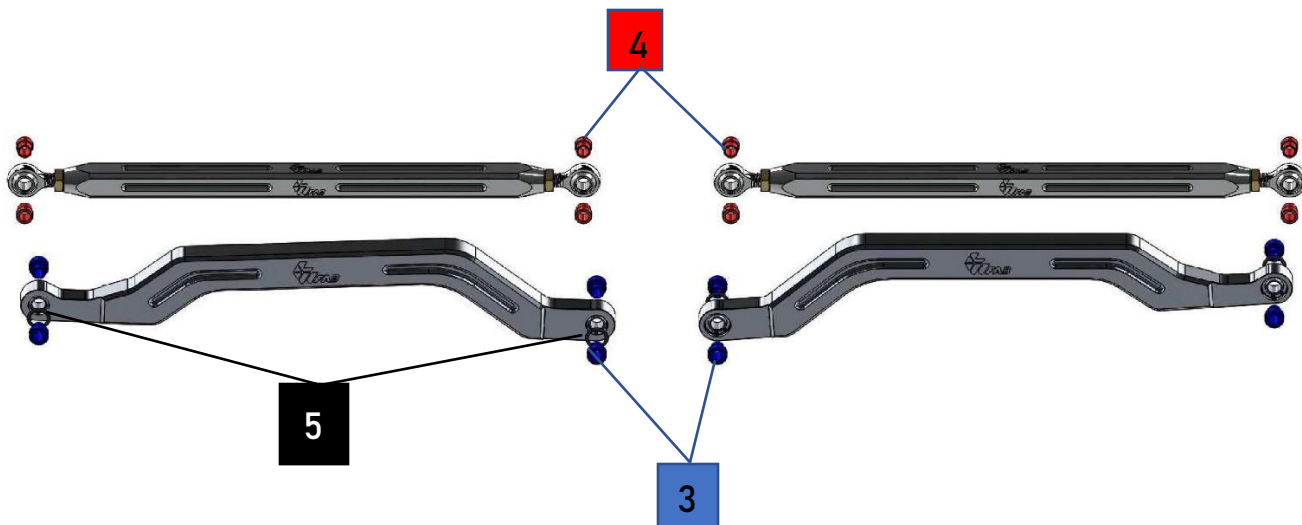
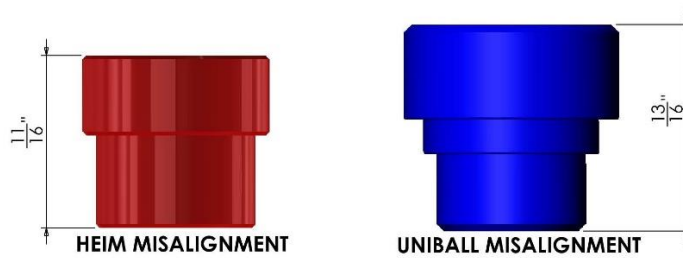


INSTALLATION MANUAL

Parts List:

Item #	Description	Qty.
1	UPPER RADIUS ROD W/ HEIMS	2
2	LOWER RADIUS ROD	2
3	UNIBALL MISALIGNMENT SPACER	8
4	HEIM MISALIGNMENT SPACER	8
5	RUBBER O RING	4

MISALIGNMENT SPACER REFERENCE



Installation:

STEP 1:

Jack machine up and remove wheels.

STEP 2:

Using a 18mm socket and wrench, remove the 8 factory radius rod bolts. Remove old radius rods and prepare to install your new L&W Rods.

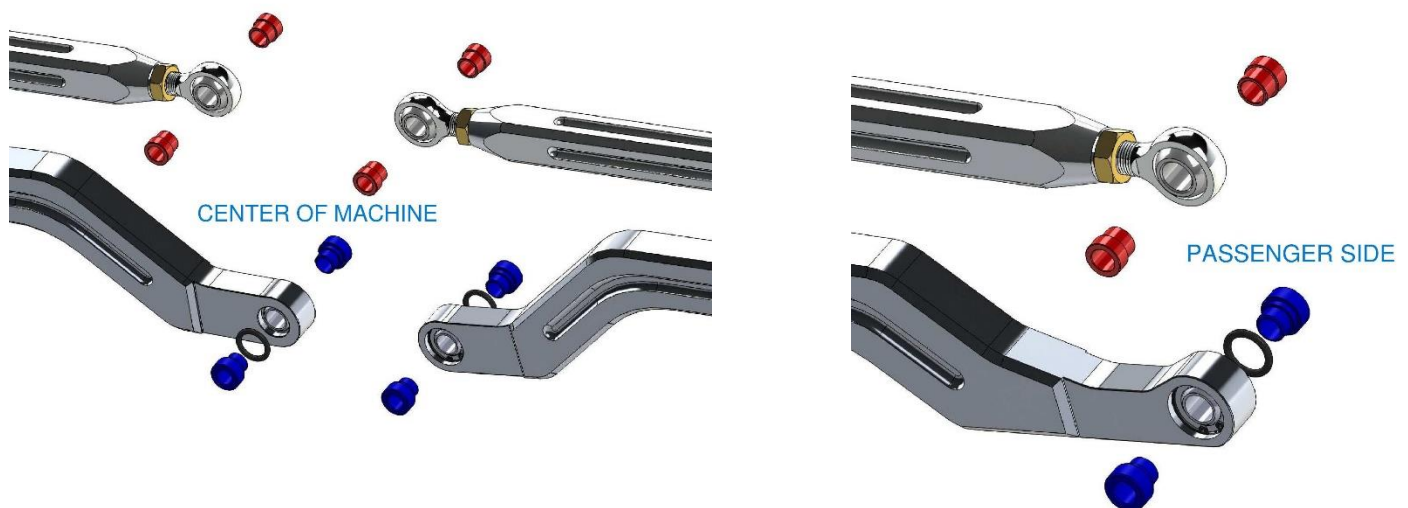
Overlay or measure upper rods with the new adjustable uppers. If your factory rod is bent, start at adjusting the rods to 24" from center of heim to center of heim.

STEP 3:

Install the supplied misalignment bushings and O-rings into your new arms. Refer to Figure 1 below for placement of Misalignment bushings and O-rings. The O-rings go on the side OPPOSITE of the snap ring on all rods.

IMPORTANT: INTALL O-RING INTO HOLE FIRST, THEN PRESS MISALIGNMENT INTO HOLE.

Figure 1



STEP 3:

With the misalignments and o-rings in place, install the rods back on machine using the factory bolts you removed in step 1. The bushings are designed to be a very snug fit. A dead blow hammer and line up bar will help with persuading the arms into place.

STEP 4:

With everything in place, and bolts started, torque all bolts to 80 ft/lb.

STEP 5:

Reinstall wheels. Be sure to drive the machine around to let the suspension settle. After suspension is settled, Adjust camber with upper rod until satisfied.



THANK YOU FOR CHOOSING L&W FAB!