



TR-4153D
(2016-2020) POLARIS RZR TURBO STAGE 5 SLIP-ON EXHAUST
INSTALLATION INSTRUCTIONS

1. REMOVE PLASTIC COVER, AND ALL FACTORY HEAT SHIELDS.
2. REMOVE STOCK MUFFLER BY REMOVING THE THREE NUTS ATTACHING THE MUFFLER TO THE HEADER PIPE.
3. DISCONNECT THE OXYGEN SENSOR BY FIRST DISCONNECTING THE CONNECTOR, THEN UNSCREWING FROM THE EXHAUST. **SEE IMAGE 1**
4. REMOVE THE STOCK SYSTEM STARTING AT THE TURBO GOING TOWARD THE MUFFLER. BE SURE TO REMOVE THE TRIANGULAR SHAPED RUBBER HANGER. **SEE IMAGE 2**
5. REMOVE ANY REMAINING HEAT SHIELDS BENEATH THE STOCK MUFFLER.
6. LOOSELY PRE-ASSEMBLE THE MUFFLERS USING THE BILLET MOUNTING BRACKET. USING THE M8 x 20mm ALLEN BOLTS, NYLOCK NUTS, FLAT WASHERS, BILLET SPACERS, SQUARE WASHERS, AND LONG BILLET BAR WITH THE TRINITY LOGO, BOLT THE MUFFLERS TO THE FRAME OF THE VEHICLE. **SEE IMAGE 3A & 3B**
7. ATTACH THE 4-BOLT FLANGE ONTO THE MUFFLERS WITH THE SPRING TABS GOING ON THE TOP OUTSIDE BOLT HOLE LOCATIONS. **SEE IMAGE 4**
8. SLIDE ON TRINITY RACING Y-PIPE TO BOTH 4-BOLT FLANGES ATTACHED TO THE MUFFLERS.
9. BOLT THE TRINITY RACING Y-PIPE TO THE STOCK HEAD PIPE WITH THE 3 OEM NUTS. **SEE IMAGE 5**
11. ATTACH THE SPRINGS TO SECURE Y-PIPE TO FLANGES. **SEE IMAGE 6**
12. BEFORE STARTING VEHICLE, CLEAN ALL EXHAUST COMPONENTS TO REMOVE ANY FINGER PRINTS OR OIL RESIDUE.





IMAGE #1



IMAGE #2



IMAGE #3A



IMAGE #3B



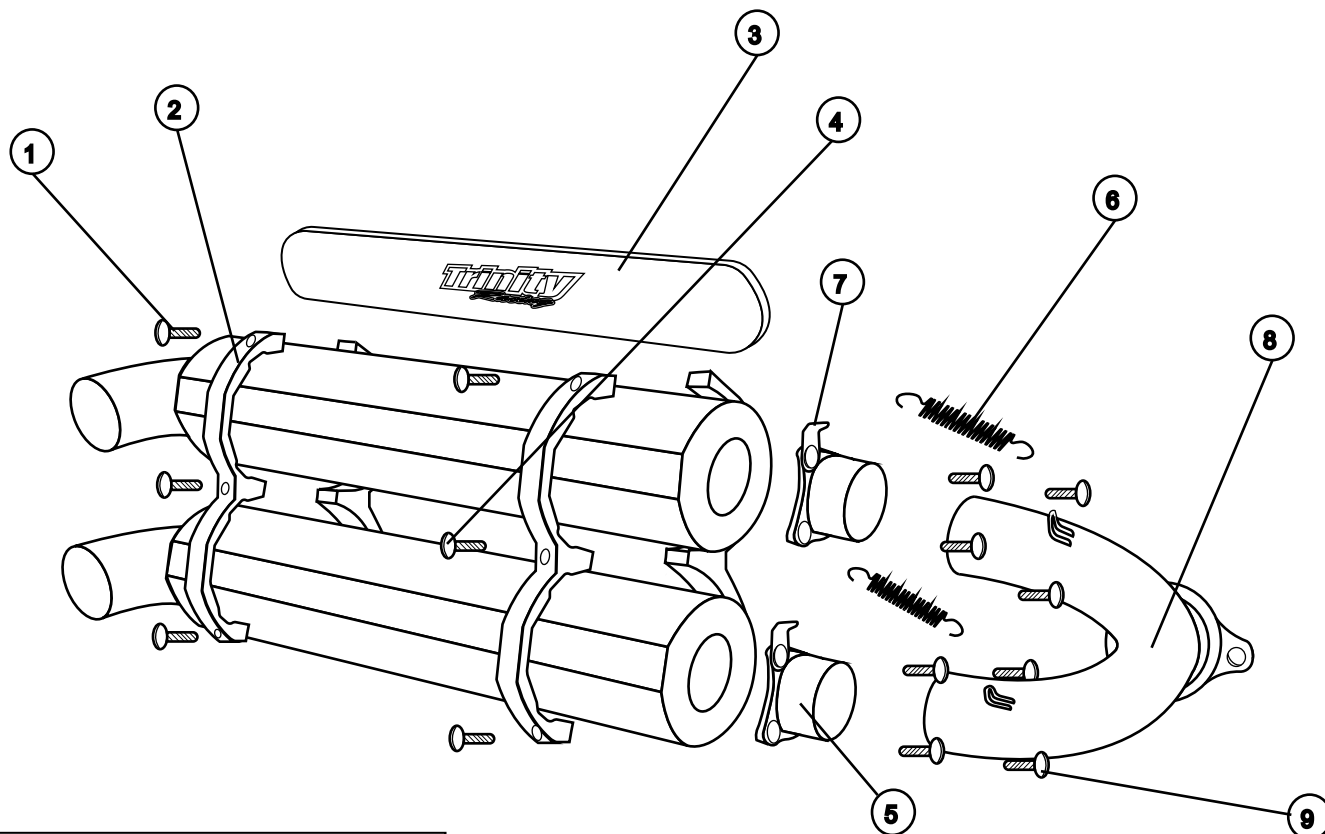
IMAGE #4



IMAGE #5



IMAGE #6



1	M8 X 25 SOCKET HEAD
2	BILLET 2-PIECE MOUNTING CLAMP
3	BILLET MOUNTING BRACKET
4	M8 X 70 SOCKET HEAD
5	4 BOLT MUFFLER FLANGE
6	RETENTION SPRING
7	RETENTION SPRING CLIP
8	TRINITY RACING Y-PIPE
9	M8-1.25 X 20MM BUTTON HEAD

WARNING

* Trinity Racing exhaust systems will require adjustment to OEM fuel settings such as installation of an EFI programmer. Trinity Racing will not be held responsible for damages that occur during operation of your vehicle under improper fuel settings. Ultimately, it is the responsibility of the owner/rider to adjust fuel settings to specific riding conditions.

* Inspection of the muffler packing is recommended following every 30 hours of runtime. Failure to maintain muffler packing will result in power loss, increased sound output, and damage to the muffler body or muffler components.