

Installation Instructions

Eibach, Inc. • 264 Mariah Circle • Corona, California 92879-1751 • USA • Tech Support 800-222-8811 Ext 114

PRO-UTV #E85-209-021-02-22

Kit Contents:	Description	Part Number	Quantity
	Front Secondary Spring	1000.300.0300S	2
	Front Main Spring	1200.300.0350S	2
	Rear Secondary Spring	1200.300.0250S	2
	Rear Main Spring	1800.300.0300S	2
	Front Slider	8001100	2
	Rear Slider	8001064	2
	Front Crossover Ring	8001224	2
	Rear Crossover Ring	8001063	2

NOTES:

Read All Instructions Before Beginning Installation

- Only qualified technicians experienced in the installation and removal of suspension components should perform this installation.
- Use of a hoist and screw jack is highly recommended and will substantially reduce installation time.

Never work on or under a vehicle unless it is properly supported.

RECOMMENDED FRONT SET-UP

1. Raise the front of the vehicle and support it with the proper safety equipment. **Note: Never work on or under a vehicle that is not supported by the proper safety equipment.**



Photo 1

2. Loosen and remove the hardware that secures the coilover to the upper and lower mounts, then, remove the coilover from the vehicle as shown. (See Photos 1 & 2)



Photo 2

3. Use a spring compressor to remove the spring retainer as shown. (See Photos 3 & 4)



Photo 3



Photo 6



Photo 4



Photo 7

4. You can now remove the main spring, slider and secondary spring as shown. (See Photos 5, 6 & 7)



Photo 5

5. Set the preload collars at 40mm as shown. (See Photo 8)

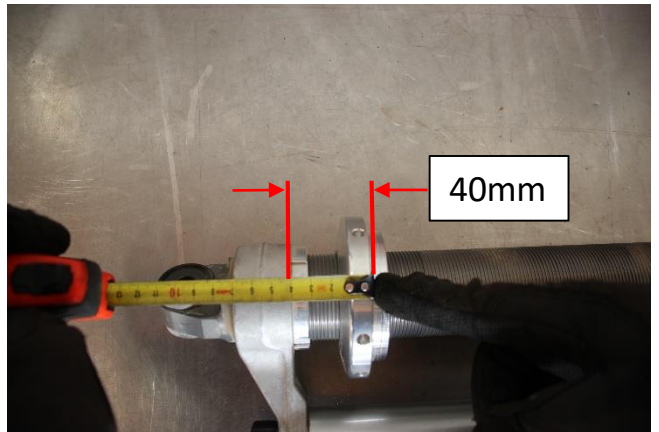


Photo 8

6. Install the crossover rings and set them at 115mm measured from the preload collar to the bottom of the crossover rings as shown and tighten allens (Photo 9& 10)

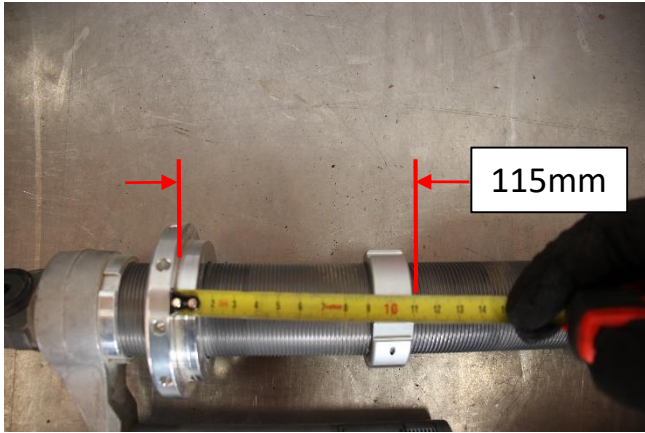


Photo 9



Photo 12



Photo 10



Photo 13

7. Install the Eibach secondary spring, provided slider, and Eibach main spring, then, compress the spring assembly and install the OE spring retainer as shown (Photos 11, 12, 13, & 14)



Photo 11



Photo 14

6. You can now reinstall the coilover using the factory hardware. (See Photos 15, 16, & 17)



Photo 15



Photo 16



Photo 17

7. Repeat the process on the opposite side, then, set the vehicle on the ground.



Photo 18

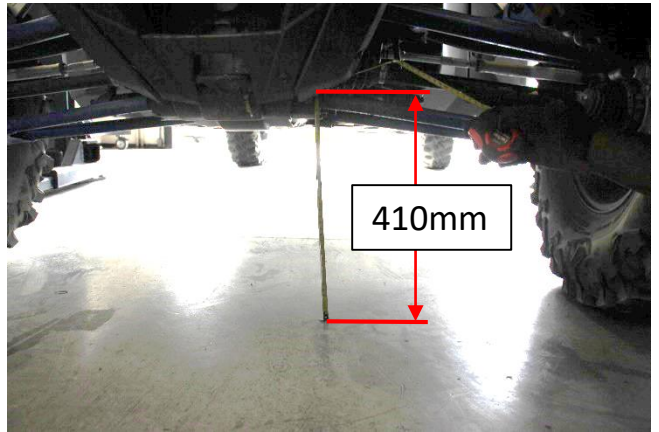


Photo 19

8. You can now adjust the preload collar to adjust the ride height. The recommended preload measurement in Step 5 Photo 8 will get the vehicle close to the recommended ride height but each vehicle may vary some. We recommend setting the ride height at 410mm measuring from the ground to the center of the lower control arm bolt as shown. (See Photo 19)

RECOMMENDED REAR SET-UP

9. Raise the rear of the vehicle until the wheels are off the ground and the suspension is fully unloaded. **Note: Never work on or under a vehicle that is not supported by the proper safety equipment.**



Photo 20



Photo 21

10. Loosen and remove the hardware that secures the coilover to the upper and lower mounts, then, remove the coilover from the vehicle as shown. (See Photos 20, 21, & 22)



Photo 22



Photo 23



Photo 24

11. Use a spring compressor to remove the dust cover and spring retainer as shown. (See Photos 23 & 24)



Photo 25

12. Remove the main spring, slider, and secondary spring as shown. (See Photos 29, 30 & 31)



Photo 26



Photo 27

13. Set the preload collars at 85 mm as shown. (See Photo 28)

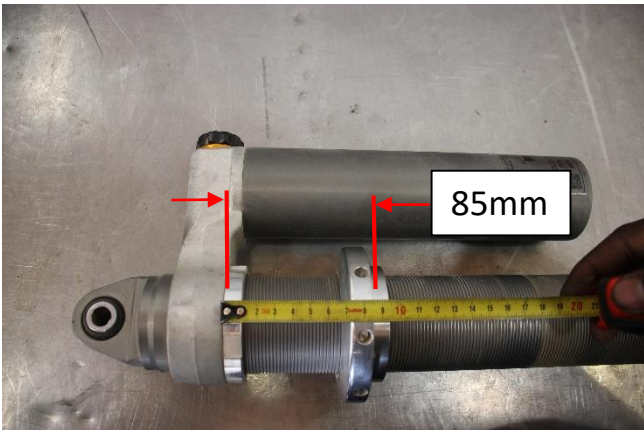


Photo 28

14. Install the Eibach crossover rings and set them at 150mm measured from the preload collar to the bottom of the crossover rings as shown. (See Photos 29 & 30)

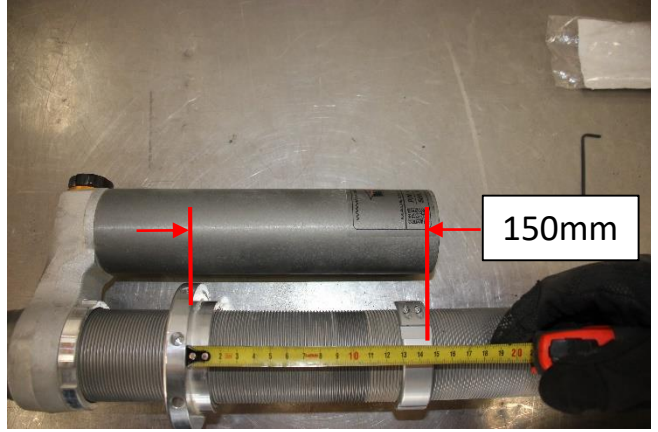


Photo 29



Photo 30

15. Install the Eibach secondary spring, provided slider, and Eibach main spring, then, compress the spring assembly and install the OE spring retainer as shown (Photos 31, 32, 33, & 34)



Photo 31



Photo 32



Photo 35



Photo 33



Photo 34



Photo 37

16. You can now reinstall the coilover using the factory hardware. (See Photos 37, 38, & 39)

RECOMMENDED FRONT AND REAR SHOCK SETTINGS

- Front: 8 clicks in from fully open.
- Rear: Fully open.

Note: These are the recommended shock settings that we tested using the spring rates provided in this kit.

Note: Full open is counter clockwise.



Photo 38



Photo 39

8. You can now adjust the preload collar to adjust the ride height. The recommended preload measurement in Step 13 Photo 28 will get the vehicle close to the recommended ride height but each vehicle may vary some. We recommend setting the ride height at 440mm measuring from the ground to the center of the lower control arm bolt as shown. (See Photo 40)

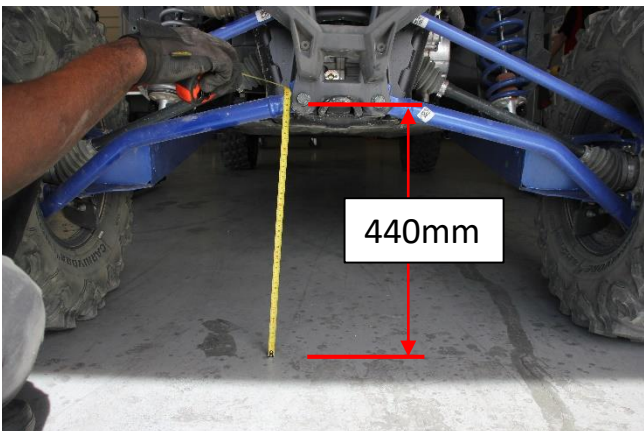


Photo 40