



2019+ Honda Talon Front Winch Bumper # S3195



INSTALLATION INSTRUCTIONS

Honda Talon – Front Winch Bumper



2019+ Honda Talon Front Winch Bumper # S3195

PARTS LIST

ITEM	PART #	DESCRIPTION	QTY
	S3195	Bumper Assembly	1
		Skid Plate	1
		Winch Plate	1
	S3195-6	Upper Mount Spacer	2
	S3BK-HTAL-WB	Bolt Kit	1
	9283K34	Finishing Plug	2

- 1.) Place Talon on flat ground and ensure machine is in park (P).
- 2.) Remove 4 Allen bolts (2 per side) securing plastic to the OEM front bumper using 5mm Allen wrench. See Picture A.
- 3.) Remove the 2 lower bolts (1 per side) on the OEM front bumper using 12mm wrench or socket. See Picture B.
- 4.) Remove the 4 bolts (2 per side) securing the upper mount of the OEM bumper using 12mm socket and extension. See Picture C.
- 5.) Remove OEM bumper by pulling outwards. (*Pro Tip : Pull plastics back while removing bumper.*)
- 6.) Install Winch Plate onto upper OEM bumper mounting tabs, ensuring bends are facing upwards and Winch Plate is under OEM bumper mounting tabs. Use (4) M8x1.25x60mm bolts, flat washers, and Upper Mount Spacers between tabs. Hand tighten to secure Winch Plate to frame. See Picture D and E.
- 7.) Bolt winch to bottom side of Winch Plate, using hardware provided with winch kit. Skip this step if no winch will be installed. See Picture F and G.
- 8.) Install S3 Bumper onto Talon, ensuring the Bumper is above the Winch Plate. First install 2 OEM bolts on bottom mount. See Picture H. Next, install (4) M8x1.25x20mm bolts, washers, and nuts through the Bumper and into the Winch



2019+ Honda Talon Front Winch Bumper # S3195

Plate, using a washer on both sides. See Picture I. Tighten all hardware, including previously installed M8x1.25x60mm bolts. (*Pro Tip : Blue threadlocker recommended.*)

9.) Install (2) M8x1.25x20 button head bolts through the plastics and into the Winch Plate. Next, install OEM Allen head bolts into lower plastics and into Bumper tabs. See Picture J.

10.) Install Skid Plate onto S3 Bumper by first installing the (2) M8x1.25x20mm button head bolts into lower most Skid Plate bolt holes. Pull winch line (if applicable) through Fairlead Hole of the skid plate. Install winch fairlead to Skid Plate and Bumper. Tighten hardware. See Picture K and L. (*Note : If no winch is being installed, use the (2) extra M8x1.25x20mm Button Head bolts and nuts into Skid Plate fairlead bolt holes.*)

11.) Install finishing plugs into Bumper tube ends. Rubber hammer works well.

12.) Recheck all hardware/fasteners. Finish wiring winch (if applicable) per manufacturer's instructions.

Thank you for choosing S3 Power Sports. Let us know if you have any questions.



2019+ Honda Talon Front Winch Bumper # S3195

Picture A



Picture B





2019+ Honda Talon Front Winch Bumper # S3195

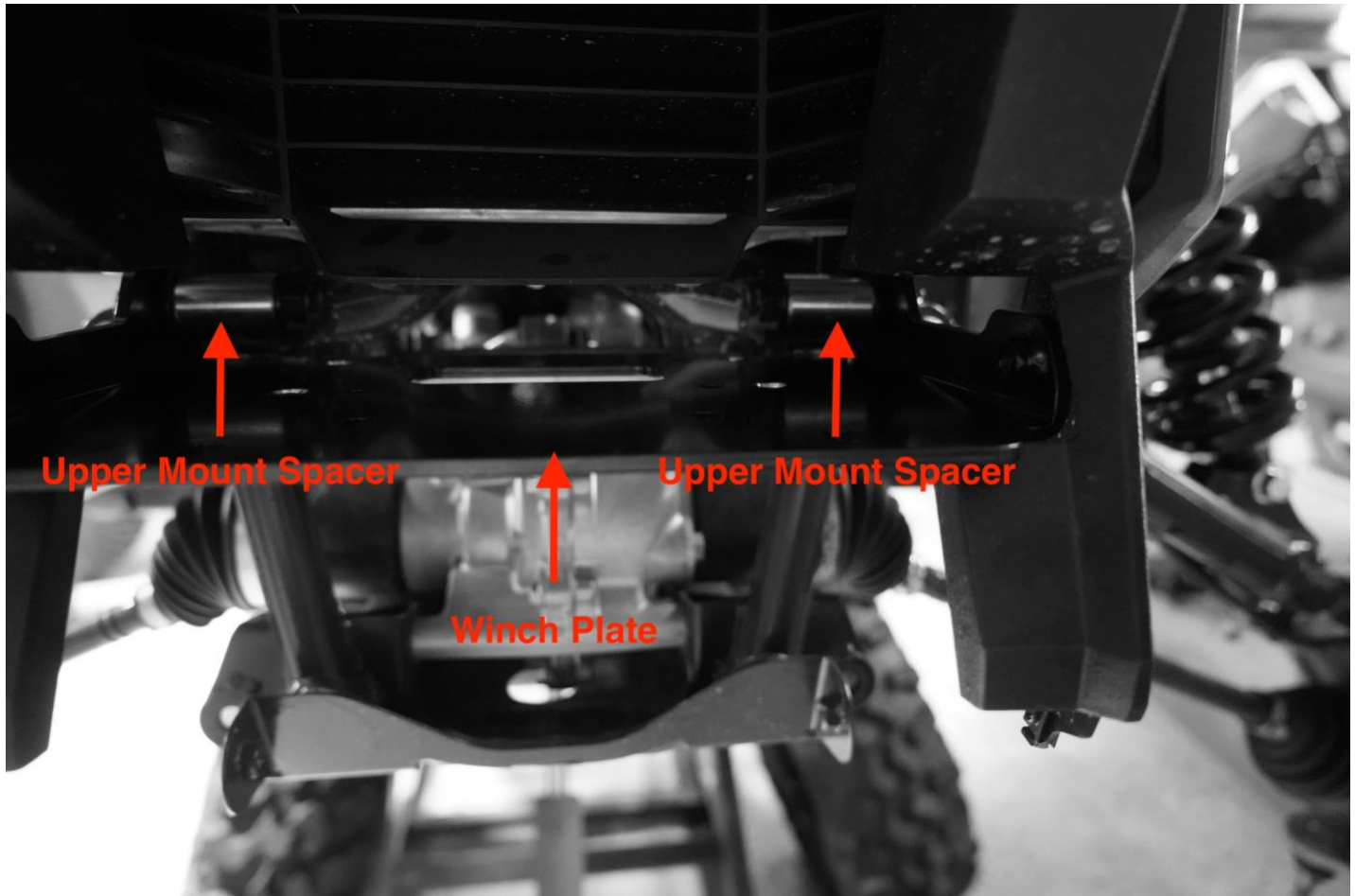
Picture C





2019+ Honda Talon Front Winch Bumper # S3195

Picture D



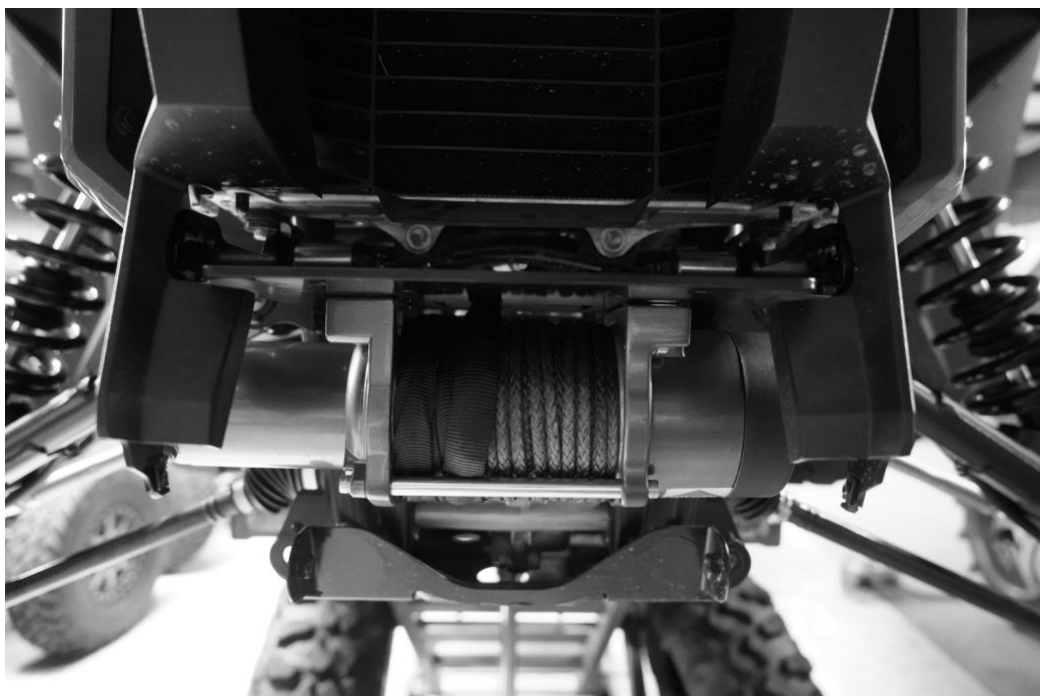


2019+ Honda Talon Front Winch Bumper # S3195

Picture E



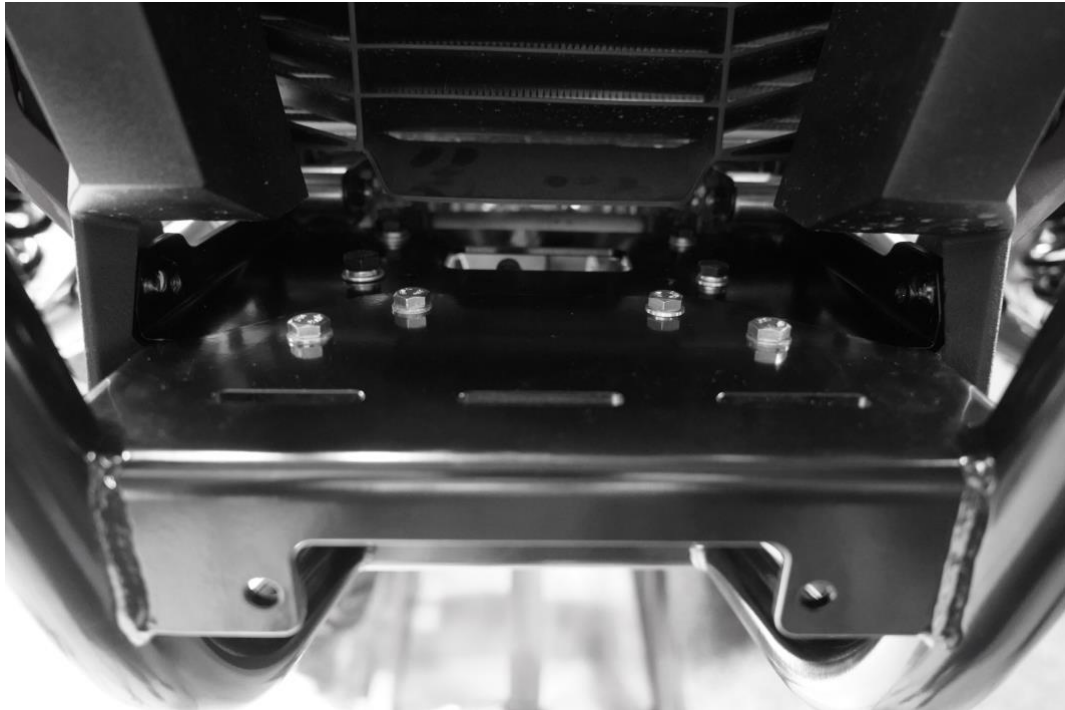
Picture F



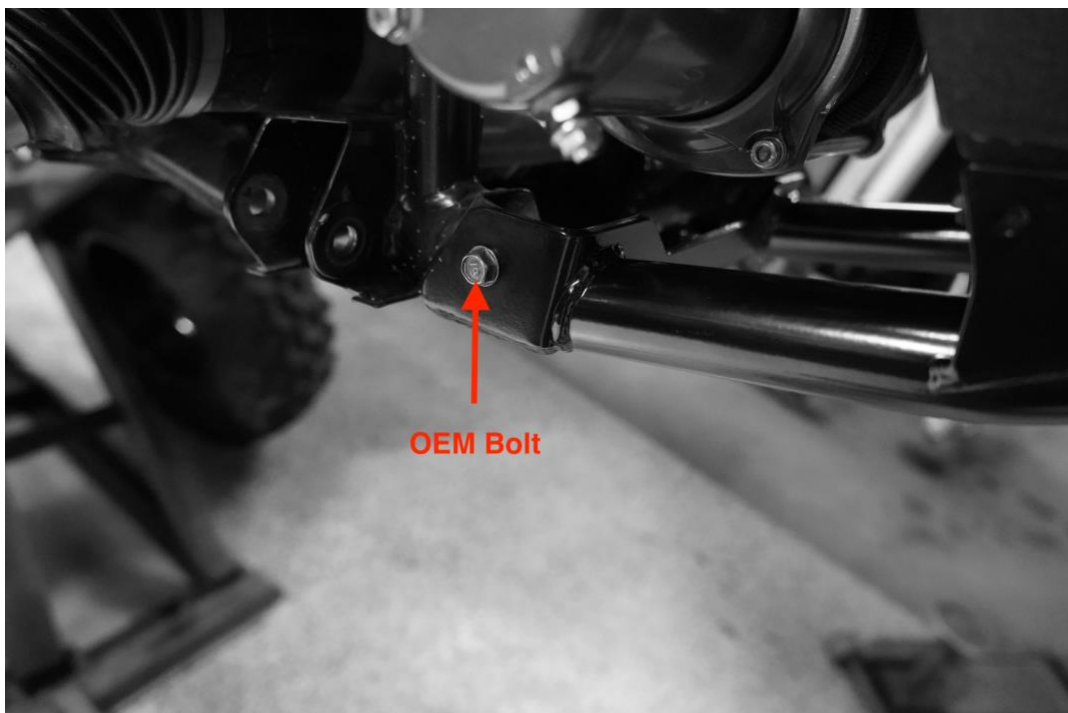


2019+ Honda Talon Front Winch Bumper # S3195

Picture G



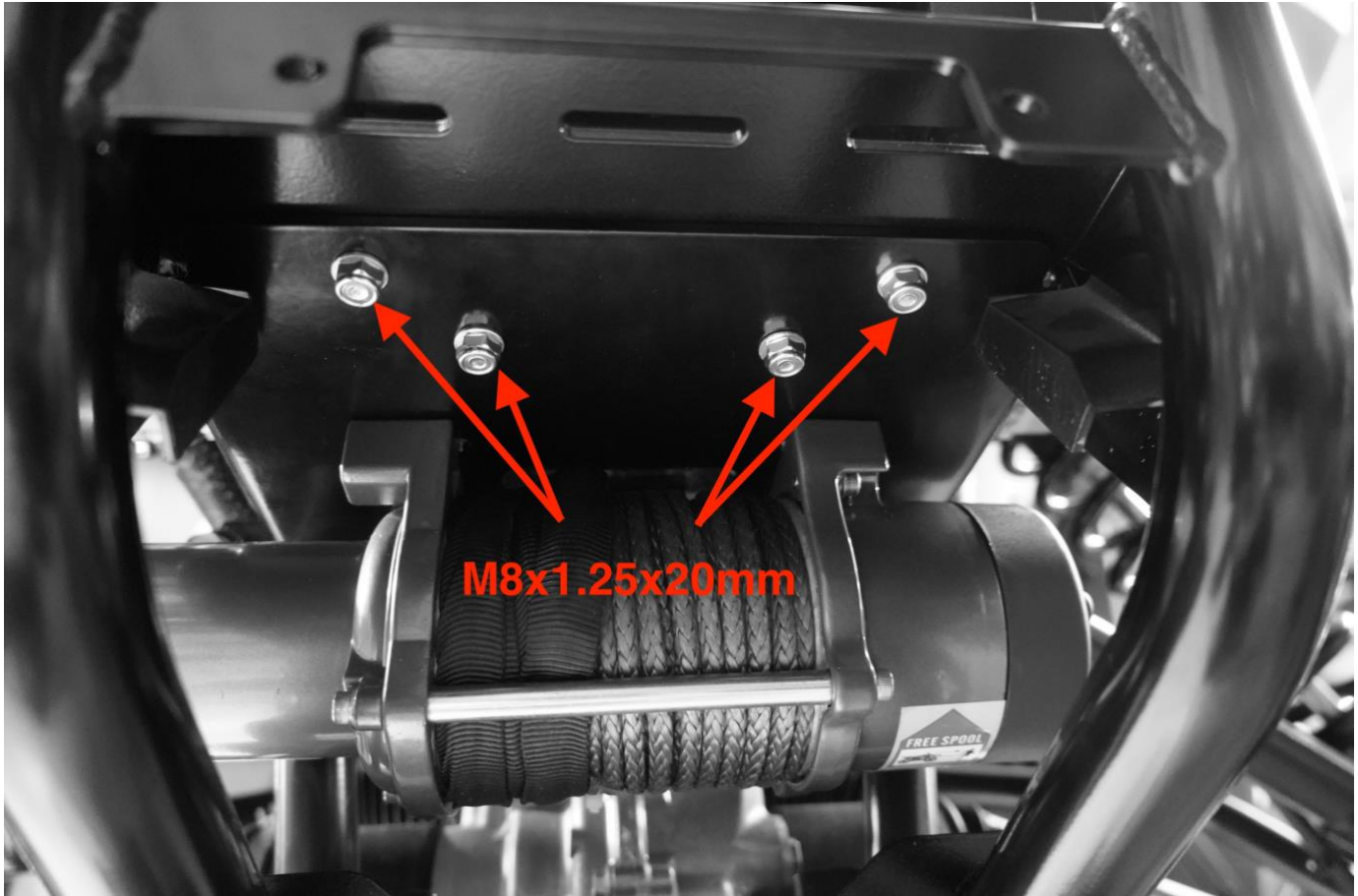
Picture H





2019+ Honda Talon Front Winch Bumper # S3195

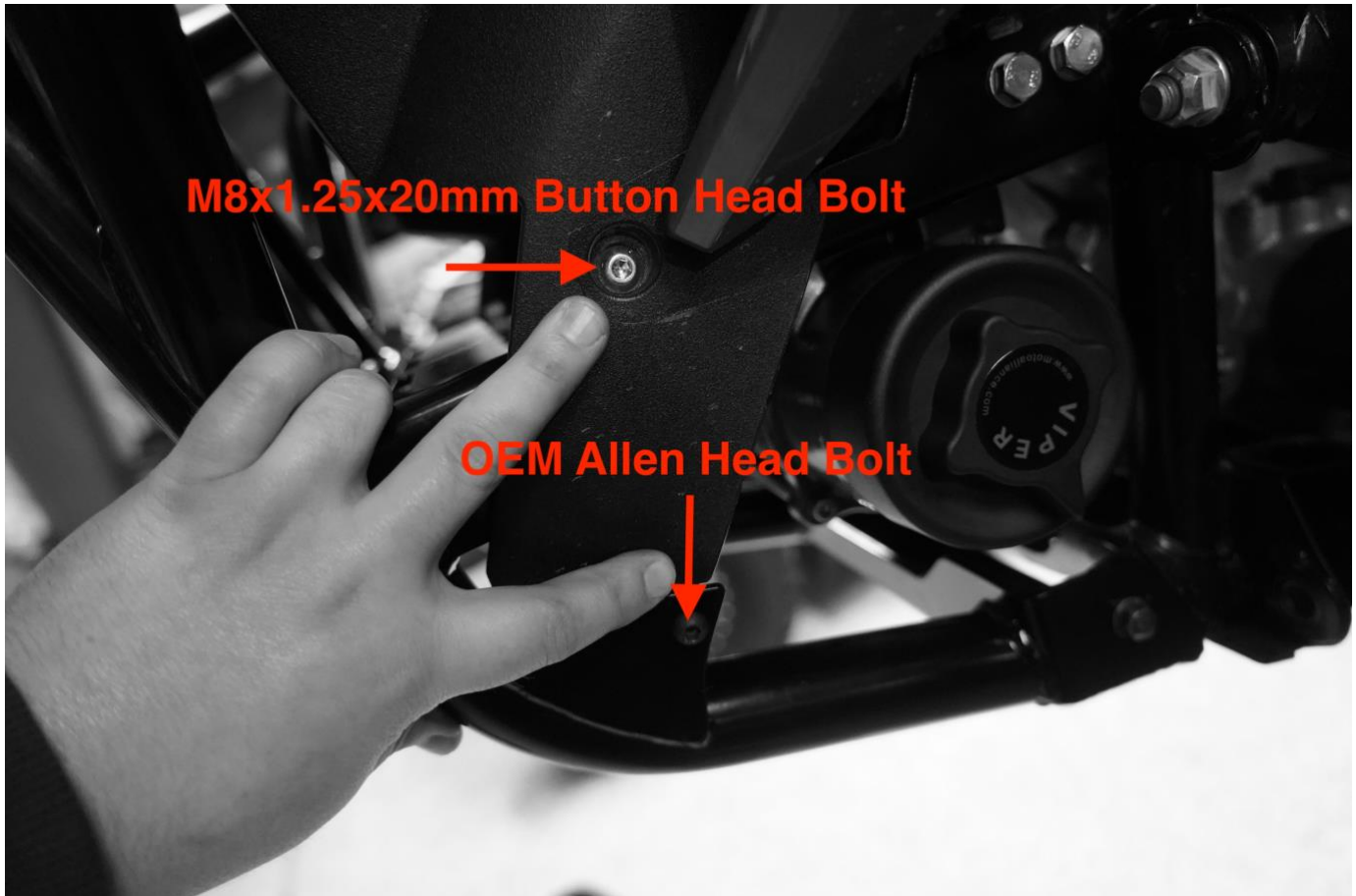
Picture 1





2019+ Honda Talon Front Winch Bumper # S3195

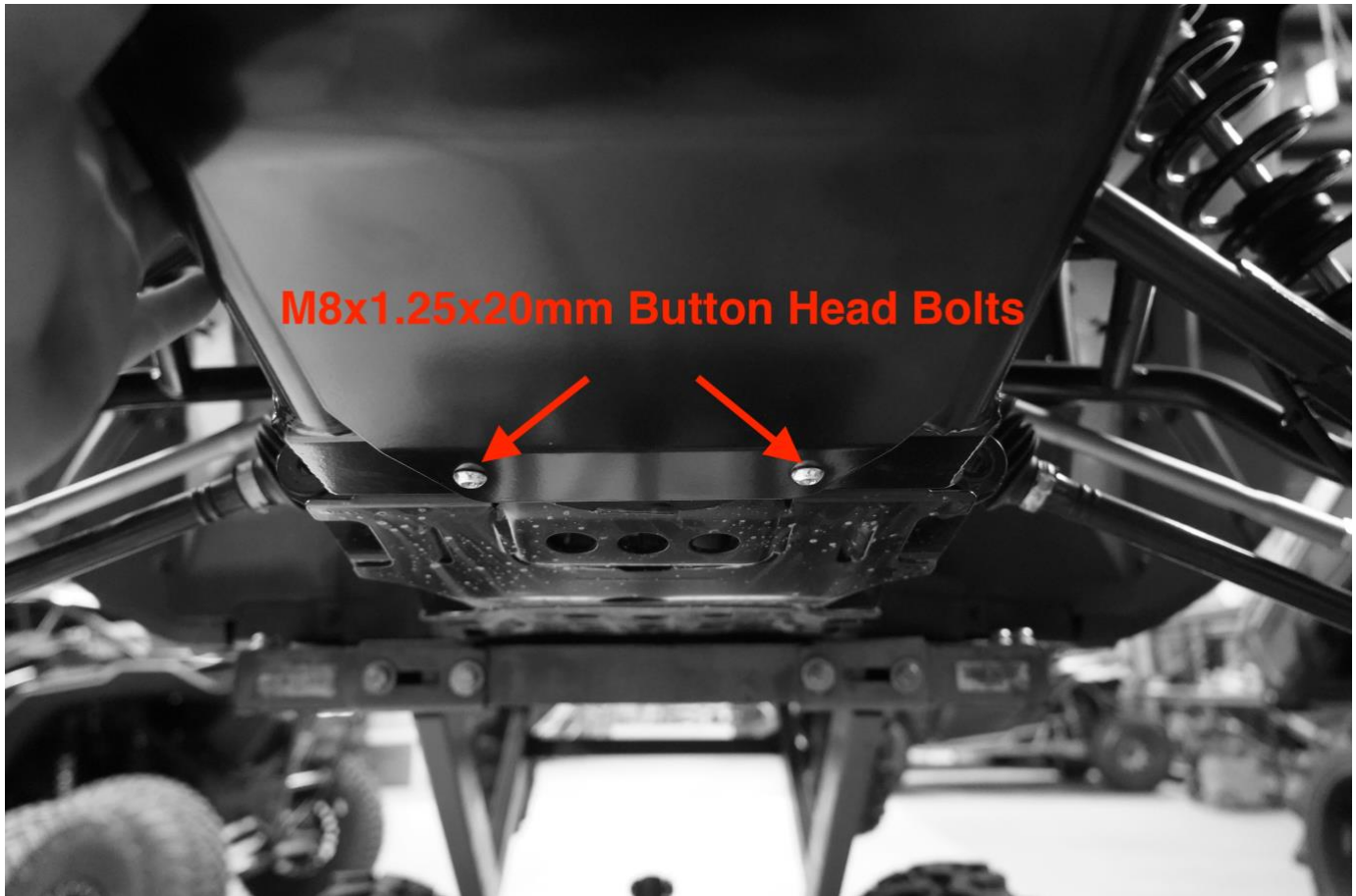
Picture J





2019+ Honda Talon Front Winch Bumper # S3195

Picture K





2019+ Honda Talon Front Winch Bumper # S3195

Picture L

